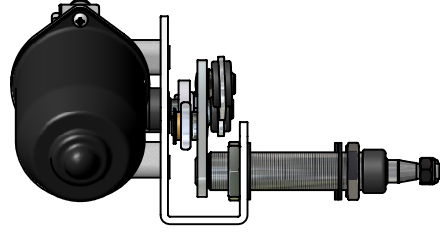
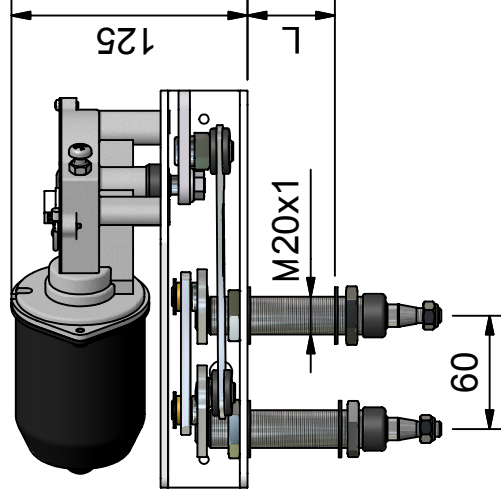
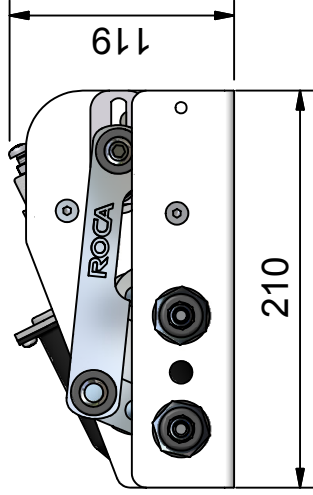


Wiper motor - W38



Item no.	Voltage	Bulk head thickness
531011/21/31	12V.	L = 30 / 55 / 80
531012/22/32	24V.	L = 30 / 55 / 80

Torque 38Nm

Dynamic park circuit

Internal thermostat

Adjustable sweep angle 40° - 110°

CE EN14982:1998

Current diagram	12V	24V
No load	< 3 A	< 2 A
Normal running	< 7 A	< 4 A
Stall	< 36 A	< 18 A
Fuse	35 A	15 A

Wiper arms and blades



538835

Black (600 - 900mm)



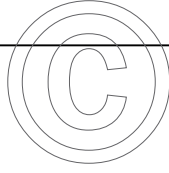
537835

EP (600 - 900mm)



530528/30/32/33/35

Blade (28" - 35")



ROCA

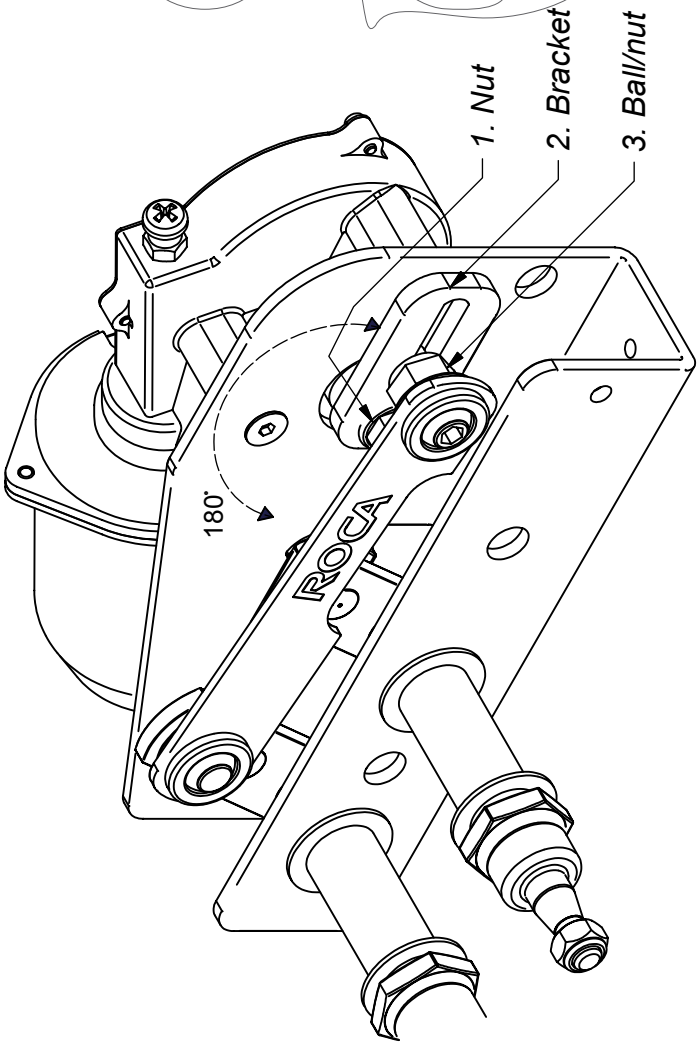
070910



ROCA[®]

www.rocaindustry.com

- Instructions - Adjusting the Wipe angle and parking position



(Keep battery main switch turned off during any operation inside of the wiper motor)

Changing the parking position.

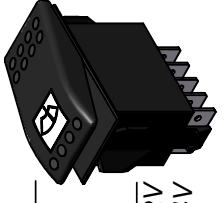
- Before the parking position is changed, the wiper motor should be in parked position.
- Loosen the nut (1).
 - Remove the bracket (2) and rotate it 180°.
 - Assemble the bracket and tighten the nut firmly.

Change of wiped angle.

- The wiped angle can be set at any point between 40° and 110°.
- Loosen the ball/nut (3).
- (Note: the ball/nut is left threaded to prevent it from coming loose when running).
- Move the ball/nut to desired angle position and tighten it firmly.

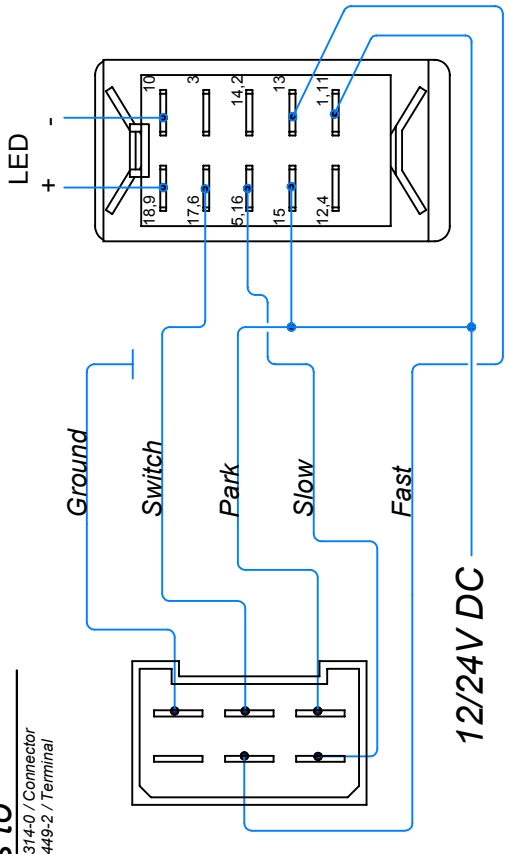
Accessory

Actuator
466026

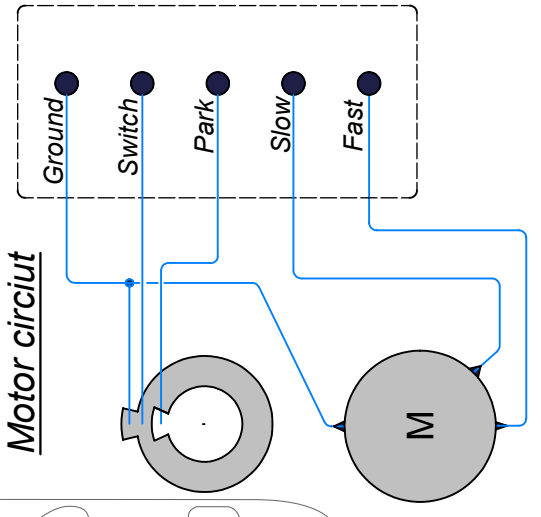


Switch
466221 / 12V
466222 / 24V

AMP Terminal
180906-0 / Connector housing
880636-2 / Terminal
Fits to
0-0280314-0 / Connector
6-016049-2 / Terminal



Motor circuit



Internal Switch circuit

