

WeatherDeck® Waterproof Fuse Panels

PN 4302 / PN 4304 / PN 4306 / PN 4308

Designed for open-cockpit and flybridge applications

- Includes 15A, ATO®/ATC® Fuse installed in each position
- Bicolored LEDs illuminate circuit labels to quickly identify OFF (Red), ON (Green), or Blown (No color) circuits
- Backlighting is compatible with DeckHand Dimmers
- Independent label backlighting allows switching and dimming
- Integrated switch guards reduce the risk of accidental switching
- Panels can be mounted in four different orientations
- Panel front rated waterproof IP67 when properly mounted with the watertight mounting gasket
- UV stabilized weather-resistant faceplate snaps on and off providing access to components and concealing mounting screws
- Square Format Label Set 4215 included

GUARANTEE: Blue Sea Systems stands behind its products for as long as you own them. Find detailed information at www.blueseasystems.com/about. For customer service, call 800-222-7617.

Blue Sea Systems Inc.
425 Sequoia Drive
Bellingham, WA 98226 USA

p 360.738.8230
f 360.734.4195
conductor@blueseasystems.com
www.blueseasystems.com
6443 Rev.004

Specifications

Maximum Operating Voltage	12V DC
Maximum Operating Amperage	15A @ 12V DC (per circuit)
Backlight Operating Current (Amperage)	10mA/Illuminated Circuit
Panel Cumulative Rating	30A (PN 4302)
	60A (PN 4304)
	90A (PN 4306)
	100A (PN 4308)
Switch Rating	15A Maximum
Backlighting Voltage	12V DC Nominal
Fuse Rating	15A installed, others available
Material: Cover	UV Resistant Thermoplastic
Panel	UL-V0 Flame Resistant Thermoplastic

Regulatory

Waterproof IP67—Protected against immersion up to 1 meter for 30 minutes

PN	Positions	Voltage	Width in (mm)	Height in (mm)	Depth in (mm)	Width Mounting Centers in (mm)	Height Mounting Centers in (mm)
4302	2	12V DC	3.88 (98.55)	2.60 (66.04)	2.50 (63.50)	3.31 (84.07)	2.04 (51.82)
4304	4	12V DC	3.88 (98.55)	4.30 (109.22)	2.50 (63.50)	3.31 (84.07)	3.74 (95.00)
4306	6	12V DC	3.88 (98.55)	6.00 (152.40)	2.50 (63.50)	3.31 (84.07)	5.44 (138.18)
4308	8	12V DC	3.88 (98.55)	7.70 (195.58)	2.50 (63.50)	3.31 (84.07)	7.14 (181.36)

Installation

⚠ CAUTION ⚠

CAUTION symbol refers to a potentially hazardous situation which, if not avoided, may result in minor or moderate injury.

⚠ WARNING ⚠

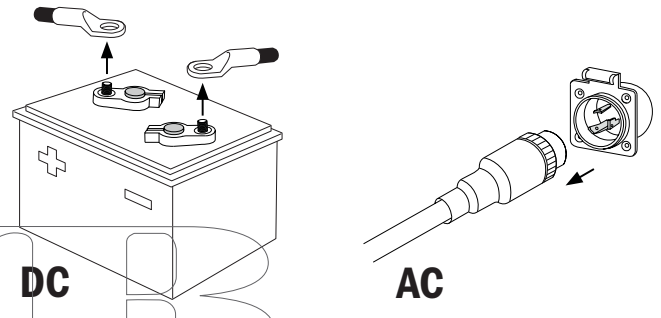
WARNING symbol refers to a potentially hazardous situation which, if not avoided, could result in death or serious injury.

⚠ CAUTION ⚠

- ✓ If you are not knowledgeable about electrical systems, consult an electrical professional.
- ✓ If the panel front is to be exposed to water, it must be properly sealed to the surface. The included gasket must be in place and the panel screwed down securely.
- ✓ Panel switches are not ignition proof—the panel must NOT be installed in an explosive environment such as a gasoline engine room or battery compartment.

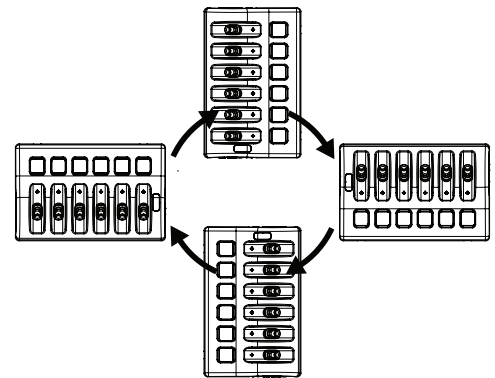
⚠ WARNING ⚠

1. Before beginning electrical installation, disconnect all AC and DC power sources.

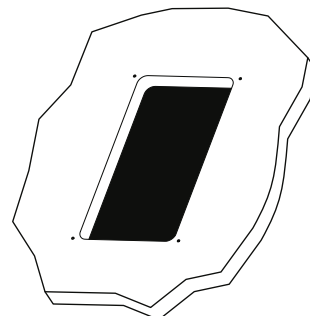


⚠ WARNING ⚠

2. Select mounting location and panel orientation away from flammable areas. Panel can be mounted in any of the four orientations shown below.

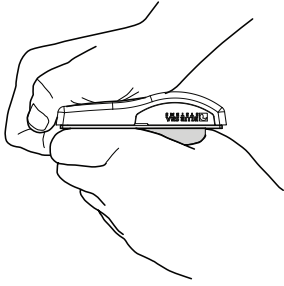


3. Cut opening with template provided.

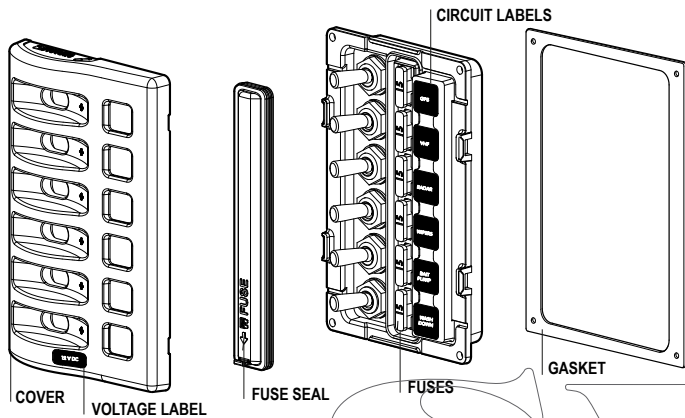


Installation (continued)

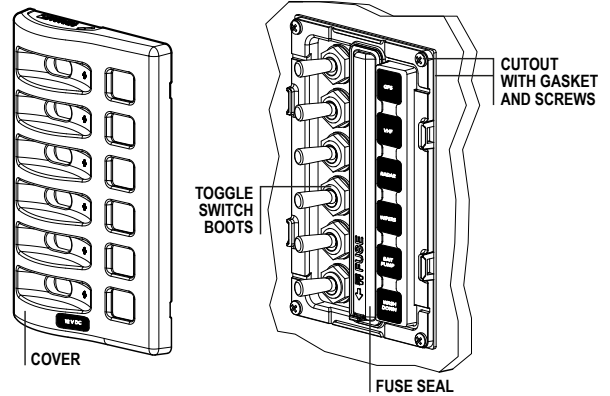
4. To remove cover, apply heel of hand to label area and pull back on the cover edge.



Apply 12V DC label, and circuit labels. Remove fuse seal and check that appropriately rated fuses are installed for each device.



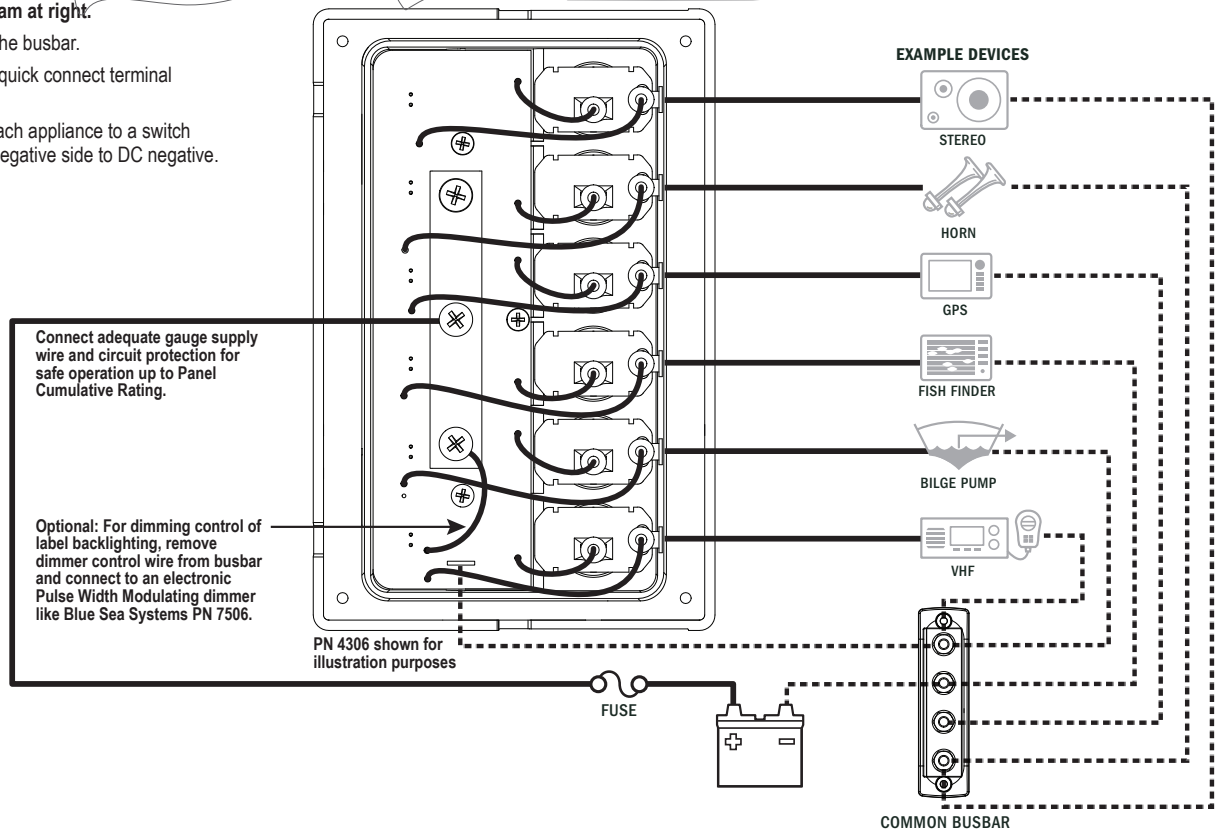
5. Securely tighten toggle switch boots. Mount panel in cutout with provided gaskets and screws. Insert fuse seal over fuses, ensure 2 seal ribs are pressed in the panel. Reattach the cover.



Application Example

6. Make connections as per diagram at right.

- a. Connect + 12V DC source to the busbar.
- b. Connect -12V DC negative to quick connect terminal marked "Negative".
- c. Connect the positive side of each appliance to a switch output terminal. Connect the negative side to DC negative.



Legend

- DC Positive ———
- DC Negative - - - - -