



Mini Accumulator Tank

Introducing the New Mini Accumulator Tank

- Smooth flow; reduced cycling
- Compact design for smaller systems & spaces
- Quick-connect fittings included
- Fluid capacity of 21.5 oz. (0.6 liters)
- Pre-charged to 10 psi (0.7 bar)
- Operating system pressure up to 125 psi (8.6 bar)
- Mount in any position



The mini accumulator tank smoothes water flow and reduces on/off switch cycling of the pump by lessening the variation in pressure and flow between the pump and the system discharge points. The even flow of water gives better control of hot water temperature with systems using instant water heaters. Its compact design also allows for convenient installation in tight spaces.

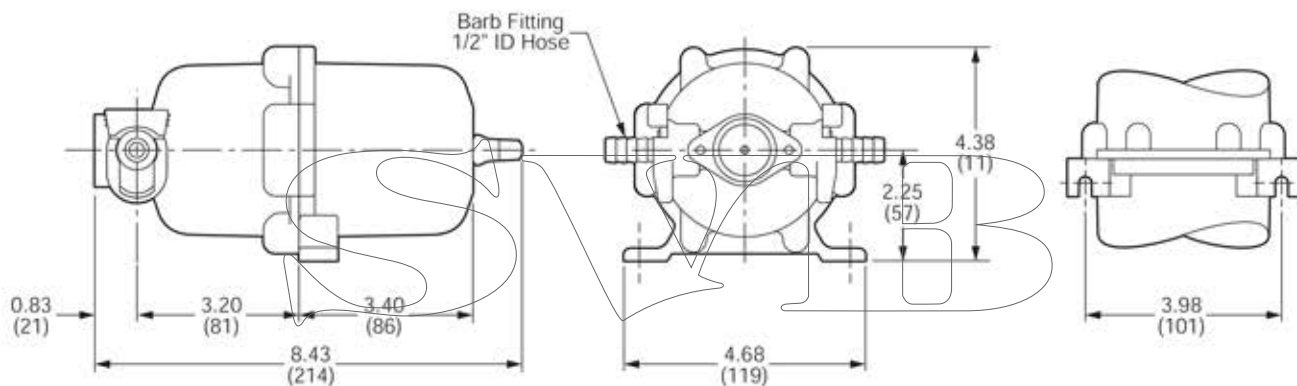
Specifications			
Model	Fluid Capacity	Pre-charged Pressure	Operating System Pressure
30573-0003	21.5 oz (0.6 liters)	10 psi (0.7 bar)	125 psi (8.6 bar)



Jabsco Mini Accumulator Tank

30573-0003

Dimensional Drawings Inches (mm)



For optimum performance, air pressure may be adjusted to 3 psi (0.2 bar) lower than the pump switch-on pressure.

Jabsco

www.jabsco.com

USA

Jabsco
1 Kondelin Road
Gloucester, MA 01930
Tel: 978 281 0440
Fax: 978 281 2619

UK

Jabsco
Bingley Road, Hoddesdon
Hertfordshire EN11 0BU
Tel: +44 (0) 1992 450145
Fax: +44 (0) 1992 467132

CANADA

Fluid Products Canada
55 Royal Road
Guelph, Ontario N1H 1T1
Tel: 519 821 1900
Fax: 519 821 2569

JAPAN

NHK Jabsco Company Ltd.
3-21-10, Shin-Yokohama
Kohoku-Ku, Yokohama, 222
Tel: 045 475 8906
Fax: 045 475 8908

GERMANY

Jabsco GmbH
Oststrasse 28
22840 Norderstedt
Tel: +49-40-53 43 73 -0
Fax: +49-40-53 53 73 -11

ITALY

Jabsco Marine Italia S.r.l.
Via Tomasseo, 6,
20059 Vimercate, Milano
Tel: +39 039 6852323
Fax: +39 039 666307

Warranty: All products of the company are sold and all services of the company are offered subject to the company's warranty and terms and conditions of sale, copies of which will be furnished upon request. The information provided herein is for guidance only, it does not constitute a guarantee of performance or specification of any individual product or component.