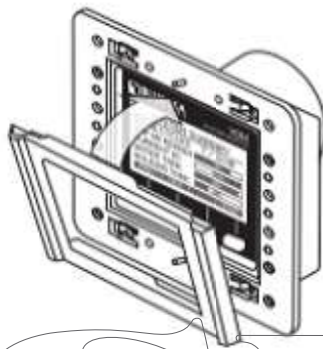
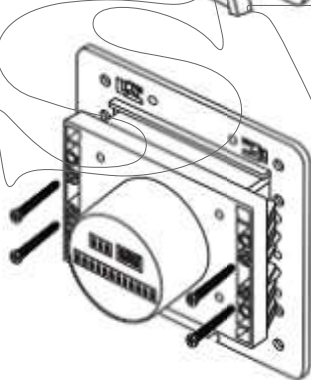




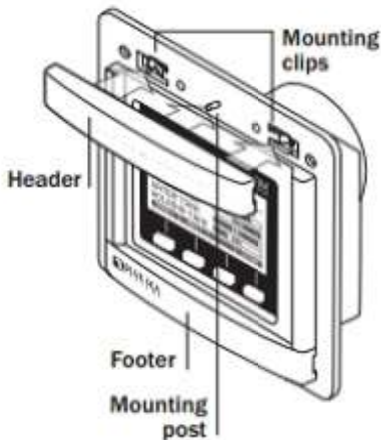
1 Place Head Unit behind panel, aligning mounting holes on panel with inner 4 holes (2 on each side of the unit). Attach with 4 (#6-32 x 1") Flat Head Machine Screws, threading into Head Unit brass inserts.



2 Place the 360 bezel onto the 360 panel with flat wedge up.



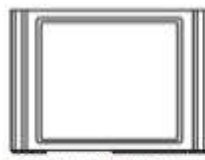
3 Fasten the bezel with 4 (#6-32 x 1.125") Flat Head Machine Screws through the back of the Head Unit and threading into the brass inserts in the back of the bezel.



4 Snap header and footer into mounting clips and post.

360 Panel Mounting Kit (PN 1325 sold separately)

PN 1519 includes PN 1325



360 Panel Mount Bezel



#6-32 x 1.125"
Flat Head Screws



#6-32 x 1"
Flat Head Machine Screws