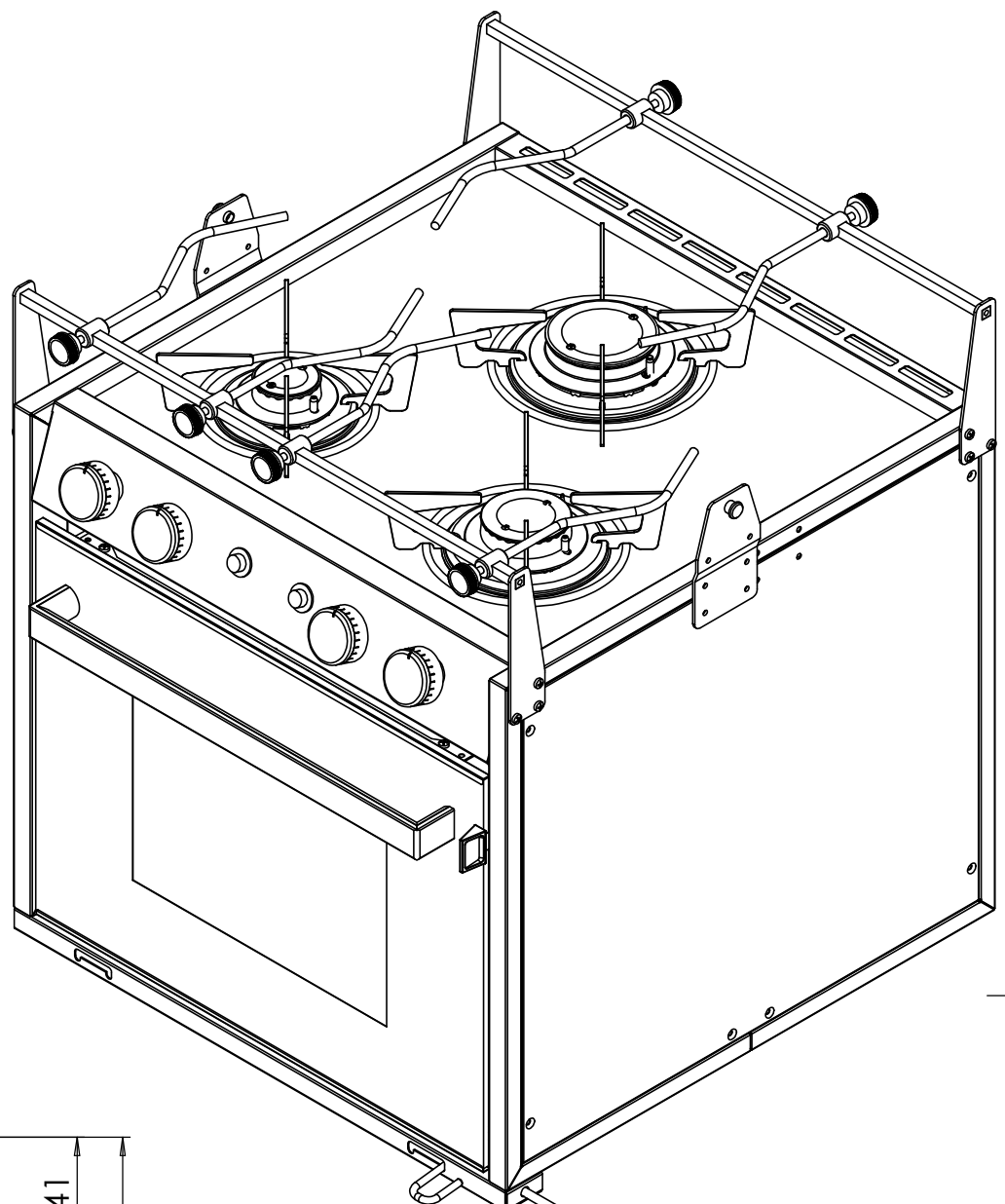
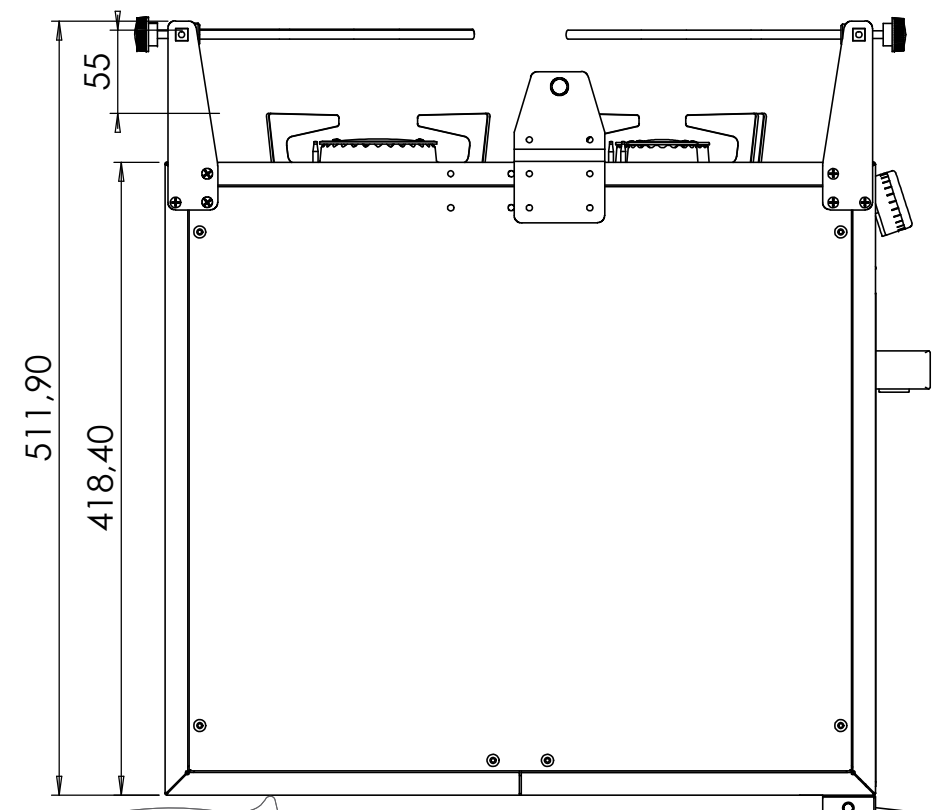
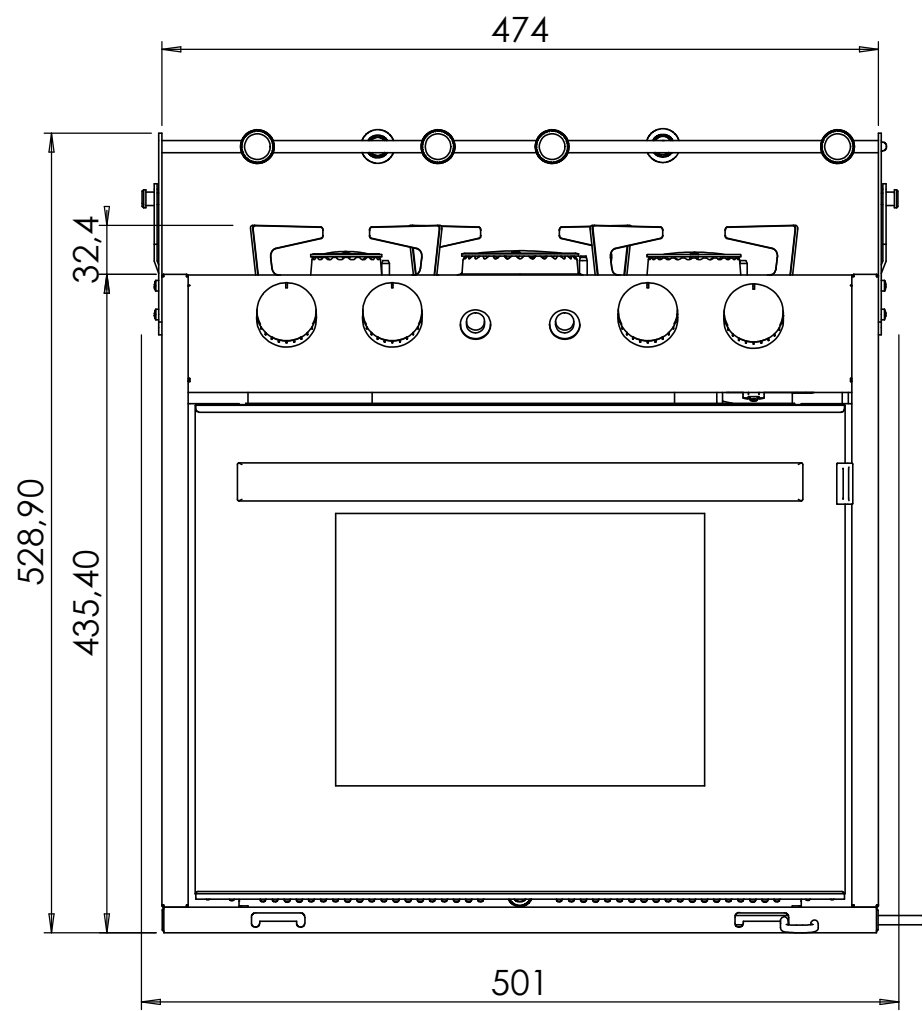
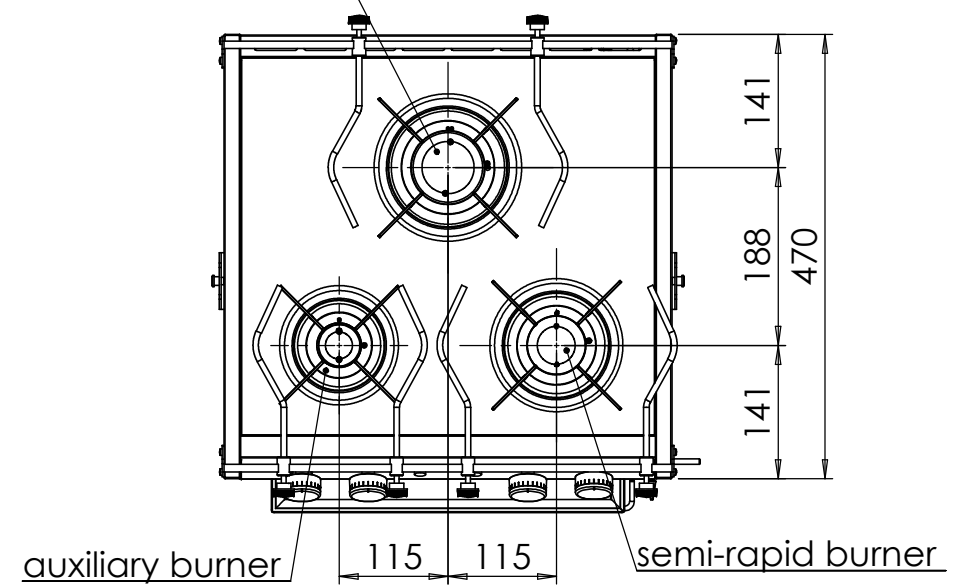
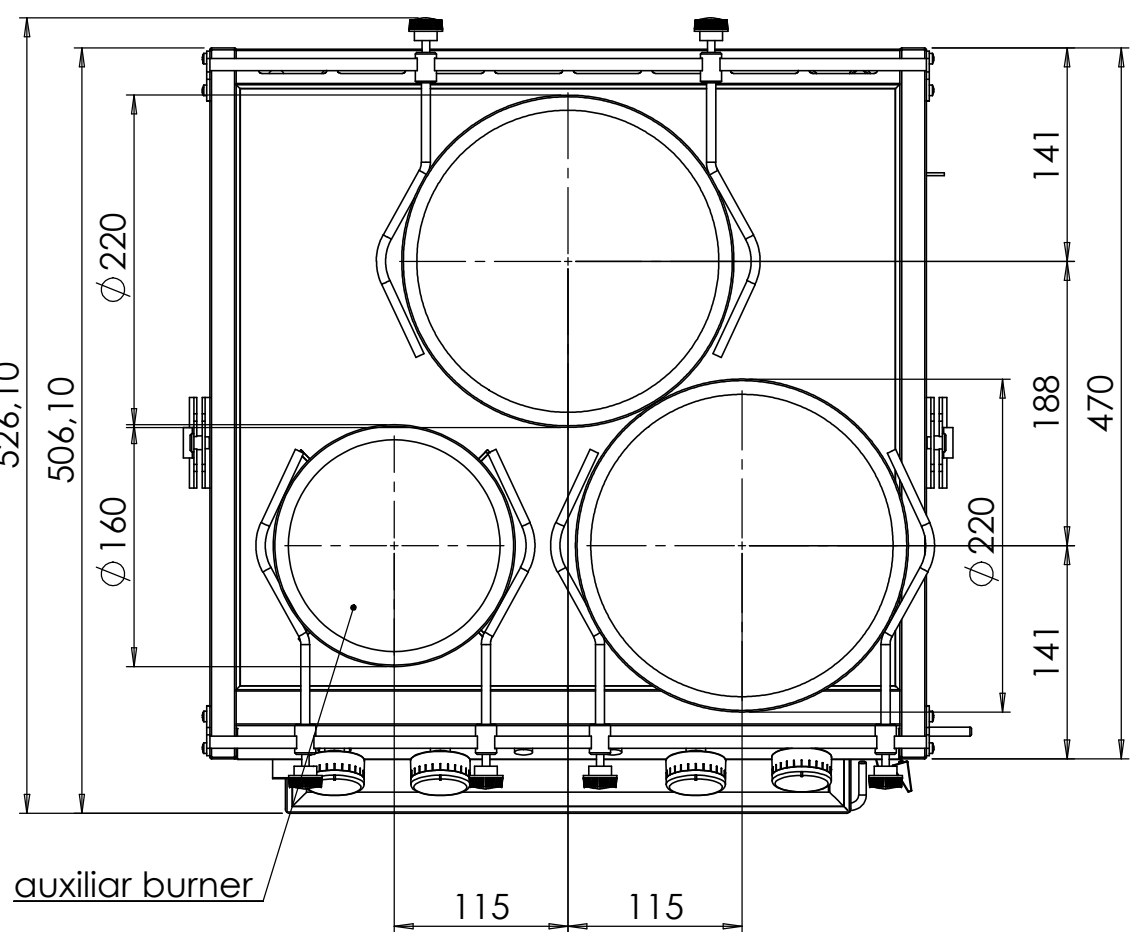


Free of Pb, Cr VI, Cd, Hg, PBB, PBDE according to the European Directive 2002/95/EC + 2002/95/EC



SMEV  
rapid burner



Dimensions without tolerance indications (UNI EN 22768-1:1996) Fine precision		Pos.	Title	N° pcs	Dwg N°	Part N°	Weight	Material	Finish/Standard
Range	mm	Rev. Date	Rev. Title						
0 - 6	±0,05								
6 - 30	±0,1								
30 - 120	±0,15								
120 - 400	±0,2								
400 - 1000	±0,3								
1000-2000	±0,5								
2000-4000	-								
Angles	±1°								
Radiuses	±1								

Title: Dimensions for CU433 Moonlight 3		Material:	Cycle No:
Scale: 1:5		Weight:	Tooling code:
This drawing is COPYRIGHT and property of SMEV Srl. It must not be copied (in whole or in part), used, or in any way disclosed without prior consent of SMEV Srl.		Notes:	Date: 09/05/14
		Part No.:	Drawing by: B.Dal Maso
			Approved by:
			Drawing Nr.: Z1155