



# SHURFLO AQUA KING™ II STANDARD 3.0

## MARINE FRESH WATER PUMP – PRODUCT TECHNICAL DATA SHEET

OEM: 4139-111-A54  
 AFTERMARKET: 4139-111-B54 ← old 68010C - 3901-0213



### APPLICATION:

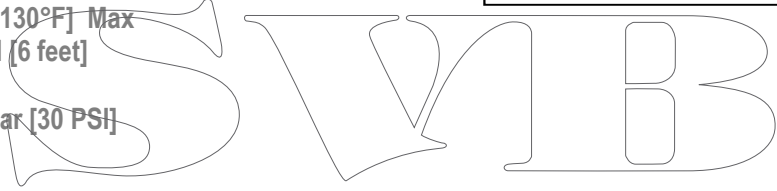
Multi-fixture Marine fresh water pump installation.  
 This pump may be used for general fresh water transfer

### PUMP DESIGN:

Type: 4 Chamber Diaphragm pump  
 Ports: 1/2" -14 NPSM-Male  
 Liquid: 54°C [130°F] Max  
 Dry-Prime: 1.82 M [6 feet]  
 Run Dry: Yes  
 Inlet Pressure: 2.06 Bar [30 PSI]

**Aftermarket model include:**

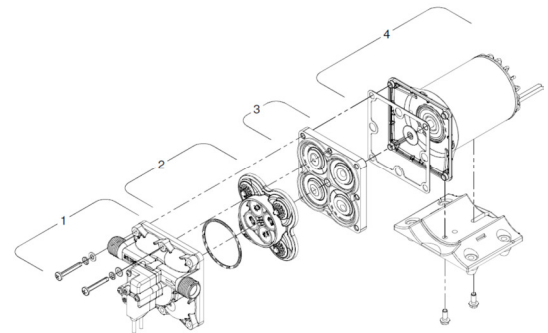
- Fittings: swivel straight adapter 1/2-14 NPT (hex-wing nut) x 1/2 barb (Qty. 2)



### ELECTRICAL:

Motor: 12V DC Permanent Magnet, Intermittent Duty  
 Protection: Thermal Overload, Automatic Restart  
 Leads: 14 AWG, 37cm [14 3/4"] Red +, 38cm [15"] Black  
 Fuse: 7.5 Amp Recommended  
 Control: Shut-Off 2.0 Bar [30 PSI] ± 0.13 Bar [2 PSI]  
 Re-start 1.3 Bar [20 PSI] [1.0 Bar] ± [2 PSI]  
 Maximum By-Pass 2.5 Bar [37 PSI] ± 0.13 Bar [2 PSI]

### REPAIR KITS



### MATERIALS OF CONSTRUCTION:

Housings: Polypro  
 Valves/Seals: EPDM  
 Diaphragm: Santoprene  
 Hardware: Stainless Steel

### AGENCY APPROVALS:

Ignition Protection 8846, CE, IMCI Certified

### SHIPPING INFORMATION:

Approx. Net Weight: 1.92 Kg [4.25 lbs.] ea.  
 Carton Qty.: 6  
 Approx. Carton Weight: 12.2 Kg [27 lbs.]  
 Approx. Carton Size: 61cm x 46cm x 15cm [24"L X 18"W X 6"H]

Number	Description	Part Number
*1	Upper Assembly	94-800-42
2	Valve Assembly	94-800-01
3	Drive Assembly	94-800-26
4	Motor/Gasket	94-71-005-07
*1,2,3	Pump Head	94-800-33
Not Shown	Check Valve	94-800-03

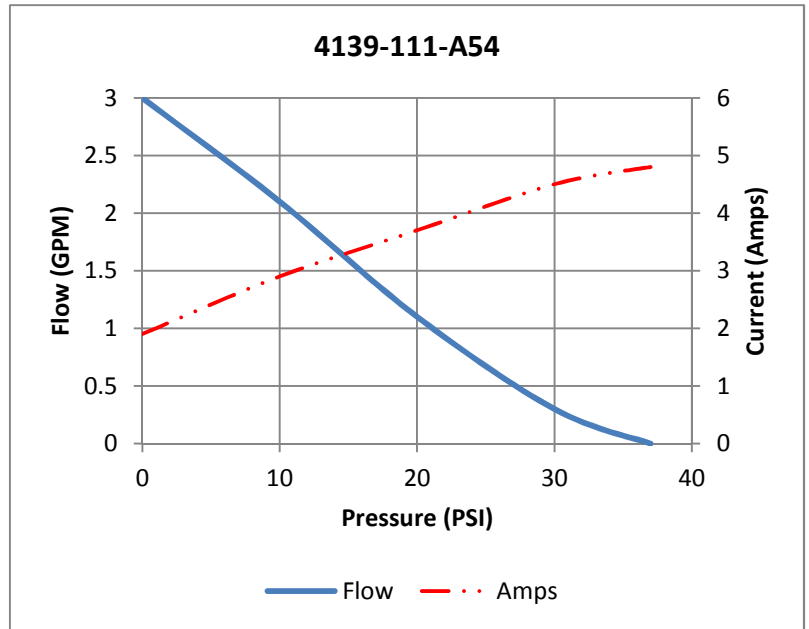
\*With preset switch and by-pass adjustment

**RELATED DOCUMENTS:**

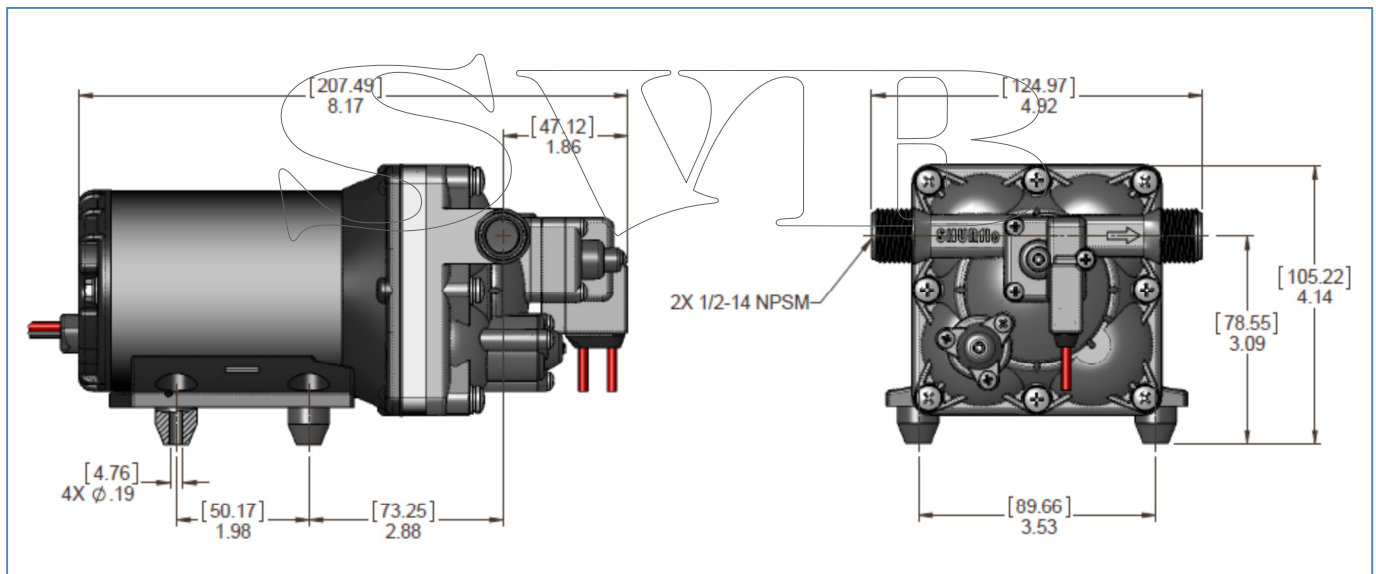
Catalog: MS-030-140  
 App Guide Sheet : MS-020-005  
 Installation Manual: 911-1052  
 Aftermarket Warranty: 911-1045

**TYPICAL PERFORMANCE AT 12V**

PRESSURE		FLOW		CURRENT
BAR	PSI	GPM	LPM	AMPS
0	0	3.0	11.3	1.9
0.7	10	2.1	7.9	2.9
1.4	20	1.1	4.1	3.7
2.1	30	0.3	1.1	4.5
2.8	37	0	0	4.8



**DIMENSIONS**



**FLOW MANAGEMENT SOLUTION**

3545 Harbor Gateway South, Suite 103, Costa Mesa, CA 92626, (800) 854-3218 www.SHURFLO.com

All Pentair trademarks and logos are owned by Pentair, Inc. All other brand or product names are trademarks or registered marks of their respective owners. Because we are continuously improving our products and services, Pentair reserves the right to change specifications without prior notice. Pentair is an equal opportunity employer.