

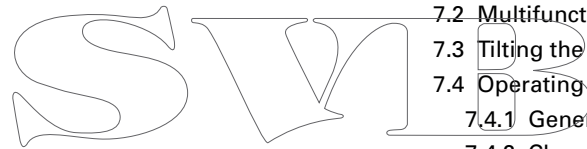
Travel 503 S/L  
Travel 1003 S/L

**Operating manual**  
(English)

**Bedienungsanleitung**  
(Deutsch)

# 1. Contents

1. Contents	
2. Important safety and operating information .....	4
3. Introduction.....	6
4. Information required by law .....	6
4.1 Identification and technical data .....	6
4.2 Conformity declaration .....	8
5. Equipment and operating elements.....	9
5.1 Delivery scope.....	9
5.2 Plan of operating elements.....	9
6. Starting up.....	10
7. Operation.....	12
7.1 Normal operation .....	12
7.2 Multifunctional display with beep.....	14
7.3 Tilting the motor and fixing the steering .....	14
7.4 Operating the batteries .....	15
7.4.1 General information .....	15
7.4.2 Charging the batteries from the mains.....	16
7.4.3 Charging the batteries from the on-board batteries .....	17
7.4.4 Charging the batteries using solar energy .....	18
7.4.5 Power supply to a device via USB supply connection .....	18
7.5 Unusual functions/emergency situations .....	19
7.6 Error messages/trouble shooting.....	20
8. Dismantling .....	21
9. Storage and care instructions.....	22
9.1 Corrosion protection, care, maintenance .....	22
9.2 Caring for the battery .....	22
9.3 Changing the propeller .....	23
10. Warranty terms .....	24
10.1 Extent of warranty .....	24
10.2 Warranty process .....	25
11. Accessories .....	26
12. Decommissioning the product / disposal .....	27
13. Torqeedo Service Centers .....	56



## 2. Important safety and operating instructions



### DANGER

This symbol warns about the risk of injury to yourself or others.

Torqueedo motors are designed to operate safely and reliably as long as they are used according to the operating manual. Please read this manual carefully before you start the motor. Ignoring these instructions can cause property damage or personal injury. Torqueedo accepts no liability for any damage caused by actions that contradict this operating manual.

To ensure safe operation of the motor:

- Check the status and function of the outboard motor before each use.
- Please note that the GPS-based range calculation is subject to constant currents and winds. Changes to the direction of travel, currents, and wind directions may significantly affect the displayed remaining range.
- If you are running the motor at full throttle in high ambient temperatures, the motor may reduce speed automatically to reduce battery temperature. A blinking thermometer in the display informs about this operation (temperature protection mode).
- Familiarize yourself with all the motor controls. For instance, you should be able to stop the motor quickly if necessary.
- Only allow adults who have been instructed on how to operate the motor to run it.
- Follow the boat manufacturer's instructions on the permissible motorization of your boat. Do not exceed the capacity limits.
- Stop the motor immediately if someone goes overboard.
- Never operate the motor if someone is in the water close to the boat.
- Do not open the battery casing; protect the battery pack from mechanical damage. If the battery casing is damaged:
  - Do not use or charge the battery any more, there is a risk of fire.
  - Avoid contact with potentially exposed electrolyte or powder from inside the battery. If you get in contact with electrolyte or powder on the skin or in the eyes, flush thoroughly with fresh water. Then seek medical assistance.
  - Contact a Torqueedo Service Center for disposal instructions.
- Only charge the battery on non-flammable ground under adult supervision.
- Only charge the battery at environmental temperatures between 0°C and 45°C (between 32°F and 113°F).
- Please note that since 2009 lithium batteries with a capacity of >100 Wh may no longer be carried as luggage in passenger planes (neither as hand luggage nor in the hold). The battery supplied with this product exceeds this threshold and may therefore not be transported in passenger planes.

- The battery of your Travel motor has been classified hazardous material according to UN Class 9. If you ship batteries with transportation companies, use original packaging with respective warning labels. Private transportation is not affected by regulation. Ensure that the battery is stored in a way that the battery casing is not damaged during transport.
- In addition to these selected warnings, please comply with the complete operating manual.



### CAUTION

This symbol warns about the risk of damage to or by your outboard motor.

There follows a selection of the most important instructions for handling Torqueedo Travel motors. Apart from these instructions, please observe the complete operating manual to prevent damage to or by your motor.

- Only run the motor when the propeller is under water. If it is run in the air for longer periods, the shaft sealant rings that seal the motor to the drive shaft may become damaged.
- The Travel 503/1003 models are protected against dirt and water to protection type IP67 (DIN ISO 60529) (30 minutes under water at a depth of 1 meter).
  - After use, always take the motor out of the water. The tilt mechanism can be used for this.
  - After operation in salty or brackish water, wash all components in fresh water.
  - Use contact spray to care for all electronic contacts every two months.
  - Except when charging the charging socket must always be covered. To do so please use the flap fixed to the socket.
  - You extend the lifespan of your battery if you do not expose it to hot environments for longer than necessary.
  - Comply with the following rules if you are storing your battery for a longer period of time. Storage for around six months: Charging level when stored 50%. Storage for a whole year: Charging level when stored 100%. If the battery is to be stored for several years the charging level should be checked once a year in order to prevent the battery from deep discharging.
  - If the motor has malfunctions an error code is shown on the display. After resolving the error the motor can be restarted again from the stop-position of the tiller. Depending on the error code displayed it may be necessary to switch the motor off using the "on/off" button on the tiller. You find descriptions and details in the "Error messages/trouble shooting" chapter in this operating manual.
  - Do not leave the motor in the water when the boat is moved by other drives (e.g. while sailing, towing the boat) to prevent damage to the electronics.
  - Fully charge the equipment before the first use in order to calibrate the charge level indicator.

### 3. Introduction

Dear customer,

We are delighted that you have chosen our outboard. Your Torqeedo Travel outboard motor is state-of-the-art in terms of motor-, battery-, and propeller-technology. It has been designed and manufactured with the utmost care and with a special focus on comfort, user-friendliness and safety, then comprehensively tested before delivery.

Please take the time to read this operating manual carefully so that you can use the motor properly and enjoy it for a long time.

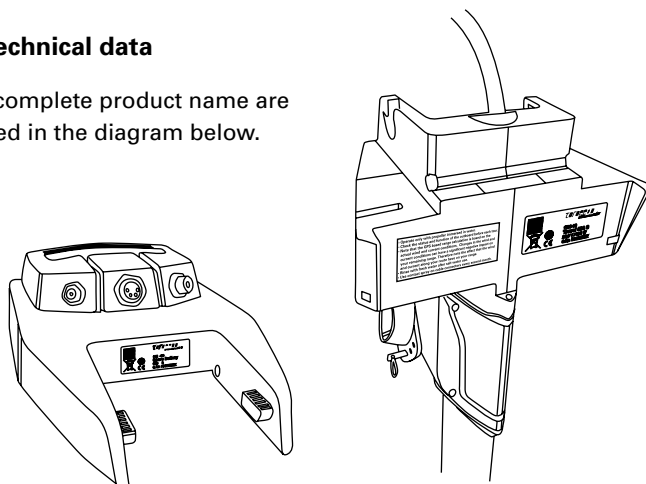
We hope you have a lot of fun on the water with your Torqeedo Travel.

Your Torqeedo Team

### 4. Information required by law

#### 4.1 Identification and technical data

The name plates with the complete product name are found at the locations stated in the diagram below.



### Explanation and description of symbols



Magnetic field



Keep away from pacemakers and other medical implants – min. 50 cm/20 in.



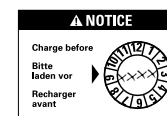
Keep away from magnetic cards (e.g. credits cards) and other magnetic information media – min. 50 cm/20 in.



Read operating manual carefully



Date for inspection or disposal



Battery must be completely recharged not later than the date specified on the packaging

### Technical data

Name of model	Travel 503 S	Travel 503 L	Travel 1003 S	Travel 1003 L
Max. input power (in watt)	500	500	1.000	1.000
Max. propulsive power (in watt)	220	220	480	480
Max. overall efficiency (in %)	44	44	48	48
Comparable petrol outboard motor (propulsive power)	1.5 HP	1.5 HP	3 HP	3 HP
Proper use for boats with total weight to (in tonnes)	0.8	0.8	1.5	1.5
Integral battery	320 Wh Li-Ion	320 Wh Li-Ion	530 Wh Li-Ion	530 Wh Li-Ion
Rated voltage (in volt)	29.6	29.6	29.6	29.6
Final charging voltage (in volt)	33.6	33.6	33.6	33.6
Final discharge voltage (in volt)	24.0	24.0	24.0	24.0
Operating/storage temperature	-20°C – +60°C (-4°F - 140°F)	-20°C – +60°C (-4°F - 140°F)	-20°C – +60°C (-4°F - 140°F)	-20°C – +60°C (-4°F - 140°F)
Battery charging temperature	0°C – +45°C (32°F – 113°F)	0°C – +45°C (32°F – 113°F)	0°C – +45°C (32°F – 113°F)	0°C – +45°C (32°F – 113°F)
Total weight	12.7 kg / 28.0 lbs	13.3 kg / 29.3 lbs	13.4 kg / 29.5 lbs	14.0 kg / 30.9 lbs
Shaft length	59 cm / 23 in.	71 cm / 28 in.	59 cm / 23 in.	71 cm / 28 in.
Dimensions (L x W x H)	83.0 x 23.2 x 103.5 cm (32.7 x 9.1 x 40.7 in.)	83.0 x 23.2 x 115.5 cm (32.7 x 9.1 x 45.5 in.)	83.0 x 23.2 x 103.5 cm (32.7 x 9.1 x 40.7 in.)	83.0 x 23.2 x 115.5 cm (32.7 x 9.1 x 45.5 in.)
Standard propeller (v = speed in km/h @ p = input power in watt)	v9/p790	v9/p790	v9/p790	v9/p790
Max. propeller revs (in rpm)	700	700	1,200	1,200
Trim stages	0°, 7°, 14°, 21°	0°, 7°, 14°, 21°	0°, 7°, 14°, 21°	0°, 7°, 14°, 21°
Protective class IP67 [ingress of water shall not be possible when the outboard is completely immersed in water (up to 1 m/3 ft of immersion; for at least 30 min.)]	Yes	Yes	Yes	Yes

## 4.2 Conformity declaration

We herewith declare and confirm that the products designated in the following

1140-00 - Travel 503 S      1142-00 - Travel 1003 S  
1141-00 - Travel 503 L      1143-00 - Travel 1003 L

are in compliance with the material protection requirements stipulated in the following directives:

- Directive **2014/30/EU** of the European Parliament and of the Council of 26 February 2014 on the harmonisation of the laws of the Member States relating to electromagnetic compatibility

Applied harmonized standards:

- **EN 61000-6-2:2005** - Electromagnetic compatibility (EMC) - Part 6-2: Generic standards - Immunity for industrial environments (IEC 61000-6-2:2005)
- **EN 61000-6-3:2007 + A1:2011** - Electromagnetic compatibility (EMC) - Part 6-3: Generic standards - Emission standard for residential, commercial and light-industrial environments (IEC 61000-6-3:2006 + A1:2010)

- Directive **2006/42/EC** of the European Parliament and of the Council of 17 May 2006 on machinery, and amending Directive 95/16/EC (recast)

Applied harmonized standard:


- **EN ISO 12100:2010** - Safety of machinery - General principles for design - Risk assessment and risk reduction (ISO 12100:2010)

**Authorized person in charge of the documentation pursuant to Annex II Paragraph 1 Section A. No. 2, 2006/42/EC:**

Last Name, First Name: Zwez, Michael  
Position in the manufacturer's company: Quality Representative

This declaration is valid for all specimens which are manufactured in accordance with the relevant production drawings which are an integral part of the technical documentation.  
This declaration is made for an on behalf of the manufacturer Torqeedo GmbH.

Name: Torqeedo GmbH  
Adress: Friedrichshafener Straße 4a, 82205 Gilching, Deutschland

Submitted by: 

Last Name, First Name: Dr. Plieninger, Ralf  
Position in the manufacturer's company: Managing Director

Gilching, January 27th, 2015

Document: 203-00002  
Month.Year: 01.2015

SVNB

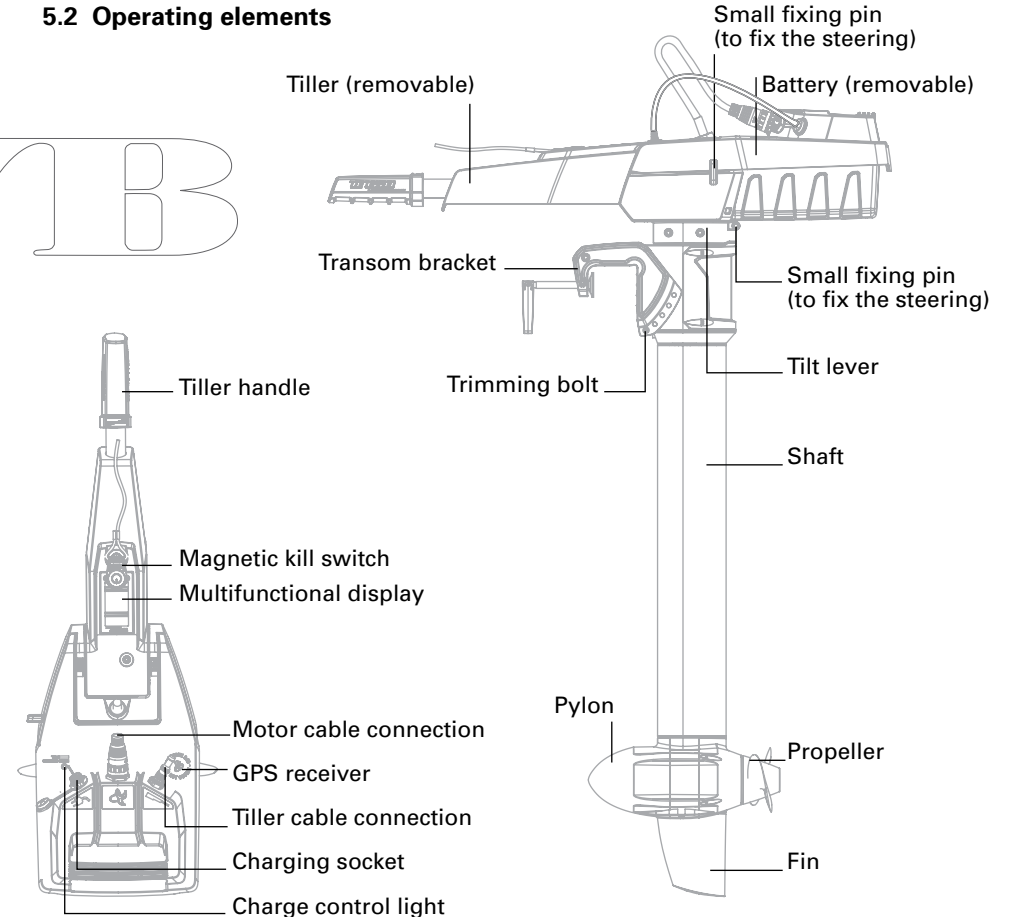
## 5. Equipment and operating elements

### 5.1 Delivery scope

The full supply scope of your Torqeedo Travel should include the following parts:

- Motor
- Battery
- Tiller
- Magnetic kill switch
- Small fixing pin (to fix the steering)
- Large fixing pin (to fix the battery)
- Charger incl. European and US mains cable
- Operating manual
- Warranty certificate
- Packaging

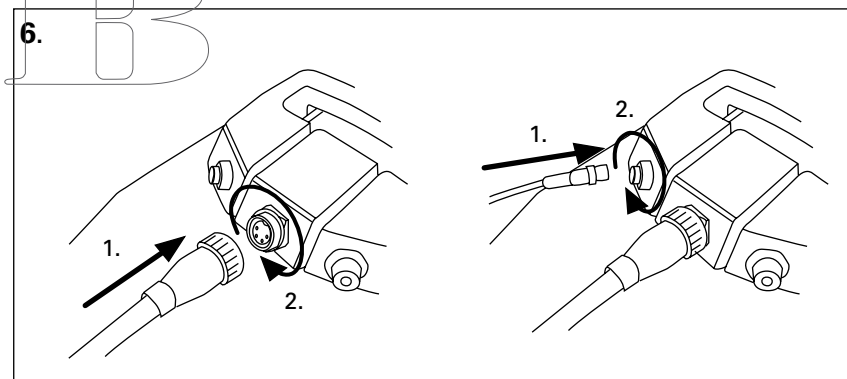
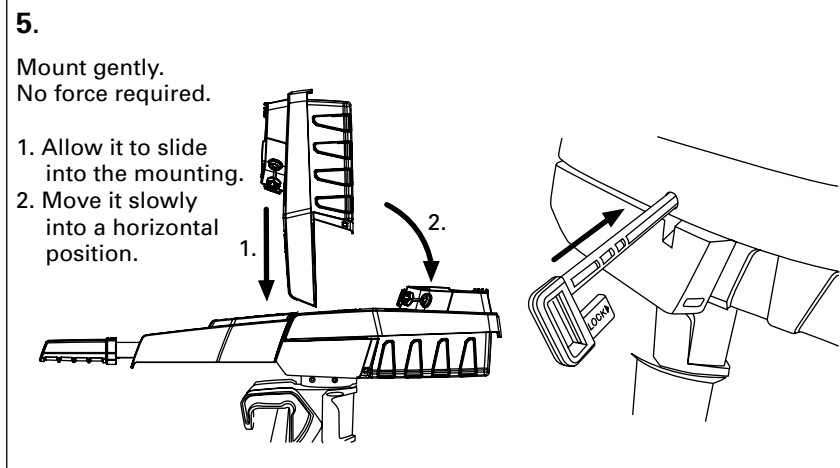
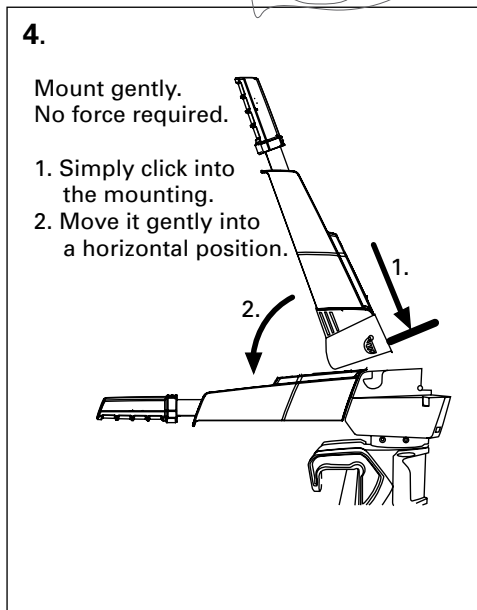
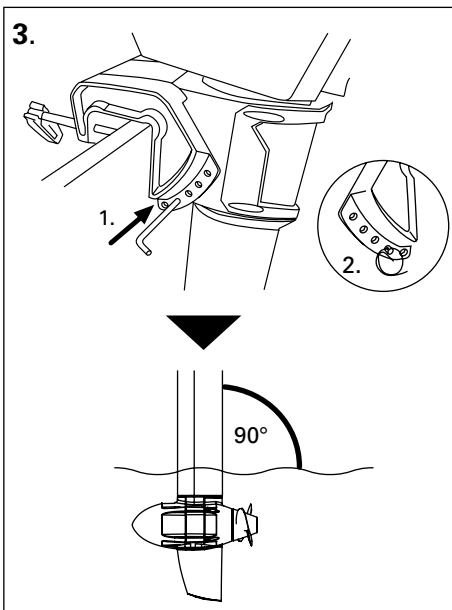
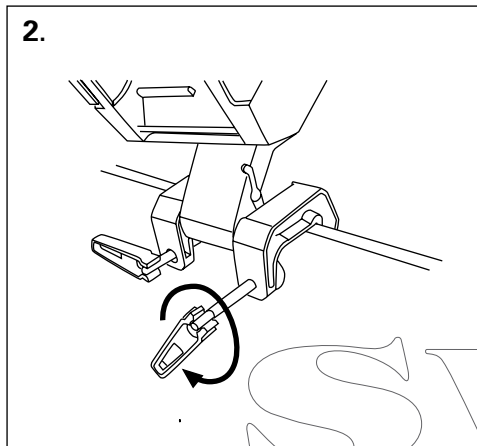
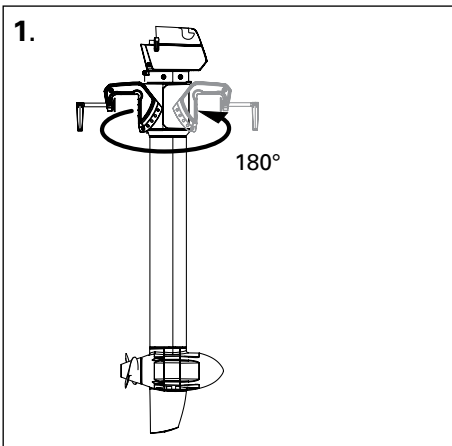
### 5.2 Operating elements



## 6. Starting up



- Mount outboard first and tiller and battery afterwards (lower handling weight).
- Beware not to squash hands or fingers.



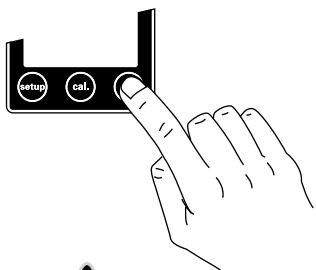
- When you are using the battery for the first time or after several months of storage, charge it up to 100% to calibrate the battery meter (charging the battery up to 99% is not sufficient for the calibration).
- Ensure that the cables are not squashed and damaged.
- Ensure that the cable connectors are seated properly into the cable receptacles, and do not cross thread the locking collars.

## 7. Operation

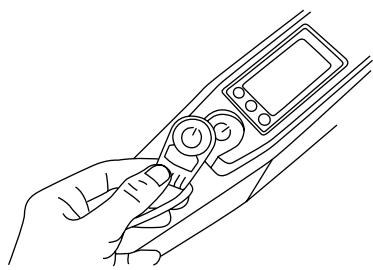
### 7.1 Normal operation

To start the motor, switch it on, apply the magnetic key and turn the tiller handle from the stop-position into the desired direction.

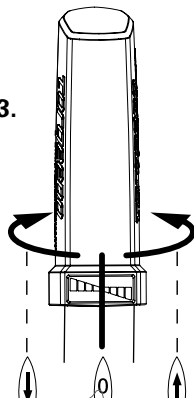
1.



2.



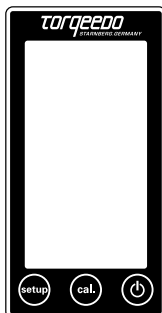
3.



- The magnetic key may affect the operation of pacemakers. Keep the magnetic key away from pacemakers (at least 50 cm / 20 inches).
- The magnetic key may affect electronic and magnetic instruments (e.g. compass). Check whether instruments on board are affected before starting the journey.
- Tie the magnetic key to your wrist or your life vest to stop the motor if you should fall overboard.
- Check the function of the magnetic key before each trip.



The magnetic key may delete magnetic information media (especially credit and debit cards etc.). Keep the magnetic key away from credit cards and other magnetic information media.



### 7.2 Multifunctional display with beep

The tiller has an **integrated display or on-board computer** and three buttons. If you press the "on/off button" for 1 second you switch the motor on. Pressing the button again for 3 seconds switches the motor off again. You can switch the motor off in any operating mode. If there is no activity for one hour the motor switches off automatically. Press the button again to switch it back on.

Use the "setup" button to set the units for the display:

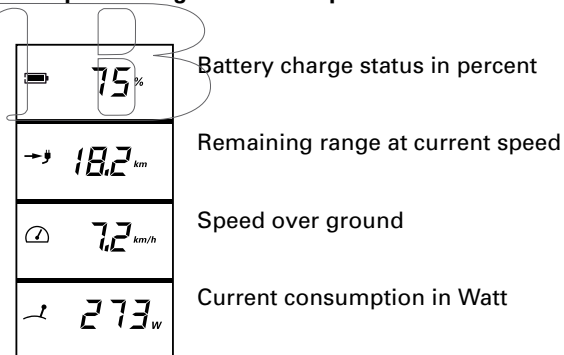
First you can select the units in which the remaining range is displayed. Press the "cal" button to switch between information in kilometers, statutory miles, nautical miles, and hours. You confirm your selection by pressing "setup" again.

You then enter the speed indicator setting. You can choose between kilometers per hour, miles per hour, and knots. The selection is made again by pressing the "cal" button. You confirm your selection by pressing "setup" again.

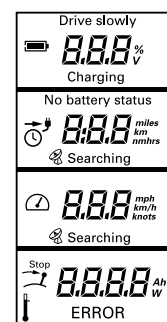
Finally you select the battery information displayed. You can choose between charge status in percent and voltage. Select the information to be displayed by pressing the "cal" button and confirm your choice by pressing the "setup" button again. By confirming you are leaving the setup menu.

The "cal" label on the middle button stands for "calibration". If the display shows a relevant error message you can recalibrate the tiller with the aid of this button. For details please refer to the "Error messages/trouble shooting" chapter.

#### Sample message in normal operation:



#### Other messages:




**Drive slowly:** Is displayed when the battery capacity is < 30%.


**Charging:** Is displayed when charging.

The GPS module integrated into the battery pack searches for satellite signals to determine the speed. If no GPS signal is received the display switches in the second field from "remaining range at current speed" (distance) to "remaining time at current speed" (time). In addition, a clock icon is displayed.



If the remaining run-time is more than 10 hours it is indicated in whole hours. If it is less it is shown in hours and minutes. The GPS-module stops searching for a signal if a signal is not detected within 5 minutes.

 This icon is displayed if the tiller must be placed in the central position (stop position). This is necessary before starting off.

 Is displayed if the motor or battery are too hot. In this case the motor reduces the power independently to cool off.

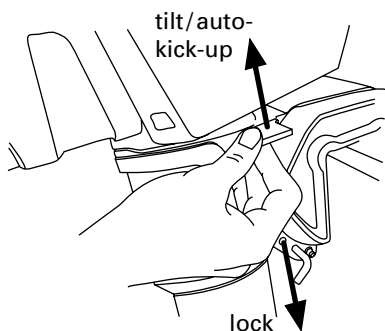
**Error:** If an error occurs the error icon and a code are displayed in the bottom field. The code informs about the component causing the error and the error itself. You will find details about the error codes in the error message/trouble shooting chapter.

If the charge level falls below 30%, 3 beeps are emitted. The beep is repeated, if the charging status falls below 20% and 10%. The beep is also emitted if the motor is turned on, while the battery charge status is below 30%.



Watch the charge status while operating the motor.

### 7.3 Tilting the motor



The tilt lever in the "tilt/auto kick-up" position (lever up) enables the motor to be kicked up if it touches the bottom. In this position it is not possible to reverse at full speed or to stop the boat.

Automatic kick-up is switched off in the "Lock" (lever down) position. This enables reversing at full speed.

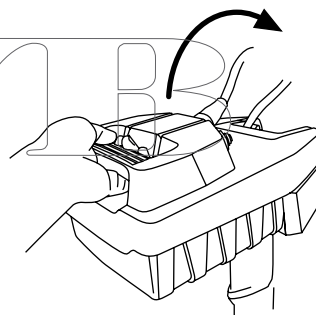


- If the tilt lever is set to tilt/auto-kick-up reversing and stopping are not possible. Set the tilt lever to the „Lock“ position if it may be necessary to stop or reverse.
- When tilting the motor, please ensure that it is positioned securely.
- Beware not to squash hands or fingers when tilting the motor.
- In tilted position, the motor can turn in such a way that the positions of the tiller and battery change.

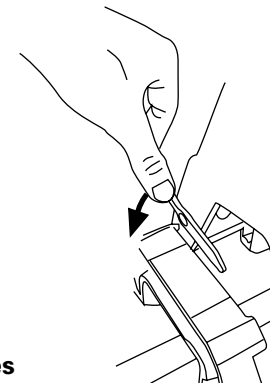


The auto-kick-up setting protects the motor in case of ground contact. It does not guarantee that ground contact will not damage the propeller or even the motor. This applies in particular if the ground is stone or rock.

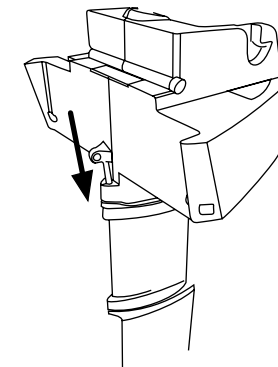
Tilting the motor



Loosen the lock and tilt the motor down



Fixing the steering (if required)



### 7.4 Operating the batteries

#### 7.4.1 General information on batteries

Name of model	Battery Travel 503	Battery Travel 1003
Capacity	320 Wh	530 Wh
Operating/storage temperature	-20°C to +60°C (-4°F to 140°F)	
Ideal storage (for storing >3 months)	Storage temperature 5-15°C (40-60°F) Charging level ~50% for storage for 6 months Charging level 100% for storage for 1 year	
Self-discharge rate during optimal storage	3,6% per month, 43% per year	
Max. charging time (mains)	5 hours	7 hours
Battery charging temperature	0°C to +45°C (32°F to 113°F)	



The batteries in models 503 and 1003 have different capacities. Both motors can be operated however with both batteries but maximum power is limited to 500W für both motors in case a 320Wh battery is used.

The lithium-ion battery is not sensitive to cycles (one cycle = discharge and recharge). The cells lose around 20% of their capacity after using 500 times the battery capacity (i.e. after 500 discharges at 100% depth of discharge or 1,000 discharges at 50% depth of discharge, etc.). This lifespan indication refers to standard conditions (especially with temperatures of around 20°C / 68°F). The battery does not have a memory effect.

It is more important for the lifespan of your battery that it is not exposed to excessive heat on an ongoing basis. If it is to be stored for a longer period of time the storage area should be cool.

Using the motor in a hot climate or at high daytime temperatures is not critical. After use you should take the motor out of the sun if possible.

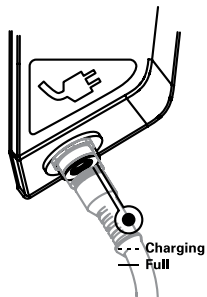
The battery electronics also allow the battery to be charged when in use (charging and discharging at the same time). In this case, the input power displayed in the tiller represents only the net power taken from the battery. If the charging power is higher than the power consumed by the motor the display indicates a power consumption of zero watts.

STARNBERG



- Except when charging the charging socket must always be closed. To do so please use the flap provided.
- Do not cover charger or battery while charging.

#### 7.4.2 Charging the batteries from the mains



The battery's charging socket is identified by a plug connector. To charge the equipment, connect the power supply to the socket outlet and charging socket. During charging, the charge status display light („Charging“) in the battery housing flashes. After completion of the charging process this light remains on permanently. To obtain more detailed information it is possible to connect the tiller with the battery during the charging process. In this case the tillers display will show the „Charging“ function and the charge status in percent.



- Never open the battery housing. Protect the battery against mechanical damages. In case of damage to the battery housing:
  - Stop using the battery and stop recharging the battery. Fire hazard!
  - In case of electrolyte leakage from the damaged battery: avoid contact with the skin and direct inhalation of the gases. In case of inadvertent contact with the electrolyte discharged from the battery (e.g. contact with the skin or eyes), immediately rinse the affected areas with copious amounts of water. Seek medical attention immediately.
  - Contact one of Torqeedo's Service Center for instructions on how to dispose of the damaged battery.
- Never short-circuit the battery.
- Always charge the battery under the supervision of an adult and on a fire-resistant surface.
- Charge the battery only at ambient temperatures between 0 °C and 45 °C.
- Please note that since 2009 there has been a ban on carrying lithium batteries with a capacity >100 Wh on passenger aircraft as baggage. The battery supplied with this product battery exceeds this threshold and is therefore prohibited from being carried on passenger aircraft either as carry-on baggage or cargo.
  - The battery charger included in the scope of supply is not waterproof; it must therefore be protected against splash water during charging.

#### 7.4.3 Charging the batteries from the on-board batteries

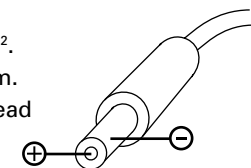
It is possible to charge the battery from any DC voltage source within a range of 9.5V ... 50V.

The required minimum current is 4A.

For charging please use a wire cross-section of at least 0.5 mm<sup>2</sup>.

The dimensions of the required barrel connector are 5.5/2.5 mm.

For example, it is a good idea to use the 12-V battery charger lead made by Torqeedo. Pay attention to the polarity - see diagram.



If the battery is not charged with the power supply provided (or other Torqeedo products) please check the polarity of the connection. If the polarity is not respected the device may be damaged and this is not covered by the warranty.



- If you do not use original Torqeedo equipment to charge your battery from the on-board battery supply, do ensure that the appropriate wire diameters are used (fire hazards).
- Voltages in excess of 60V (including even short-term excess voltages) can lead to damage of the battery.

#### 7.4.4 Charging the batteries using solar energy

The battery can be charged directly using the Solar Charger SUNFOLD 50 (Torqeedo item no. 1132-00).

It is also possible to charge the battery with solar panels with an open-circuit voltage of up to 50V. For charging please use a wire cross-section of at least 0.5 mm<sup>2</sup>. In that case the battery will dynamically adjust to the panel power.

Technical specifications for barrel connector and polarity: See chapter 7.4.3.

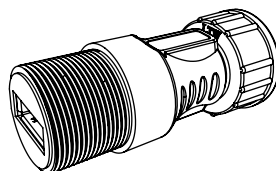


- Always charge the battery under the supervision of an adult and on a fire-resistant surface.
- Voltages in excess of 60V (including even short-term excess voltages) can lead to damage of the battery.

#### 7.4.5 Power supply to a device via USB supply connection

The adapter enclosed in the delivery allows power supply to USB-compatible devices. Output voltage: 5V; maximum output current: 1A.

Plug the adapter into the top of the charging socket and tighten the union nut. Plug the USB-A plug connector of your equipment into the adapter. The power supply to the equipment will continue for four (4) hours after deactivation of the tiller display. The charge coding for smartphones is 1A according to the Apple standard.

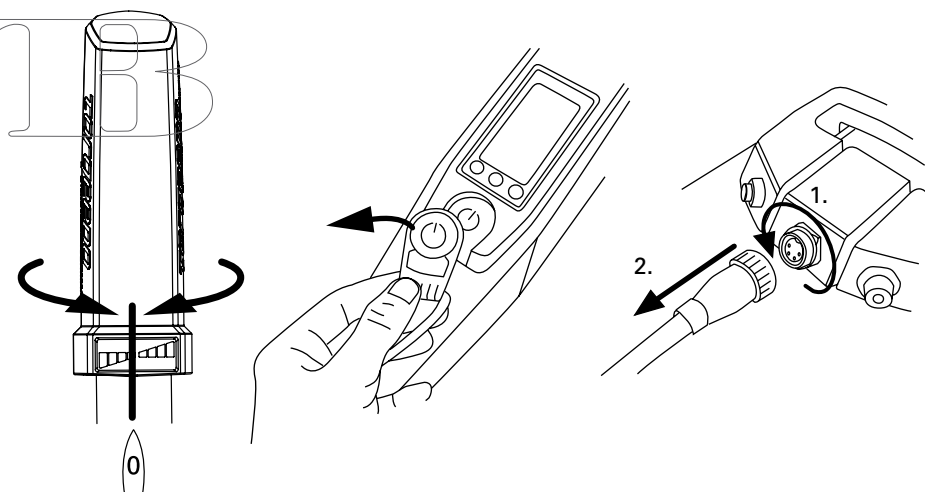


- Be careful not to apply any (leverage) forces on the adapter.
- Please make sure that no water gets into the USB adapter.
- When not in use, please remove the USB adapter.

#### 7.5 Unusual functions/emergency situations

There are three ways to stop the motor:

1. Turn tiller to stop position
2. Remove magnetic kill switch
3. Remove motor cable from battery (main switch)

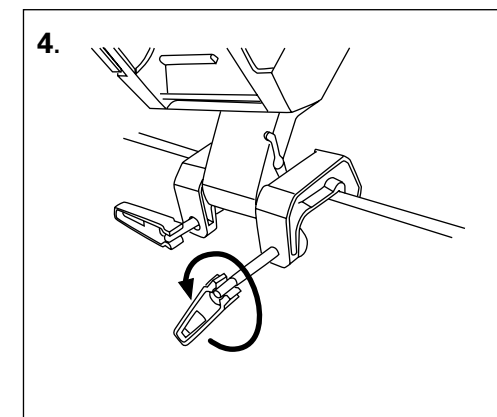
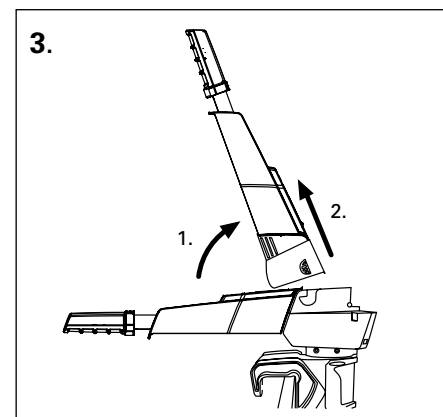
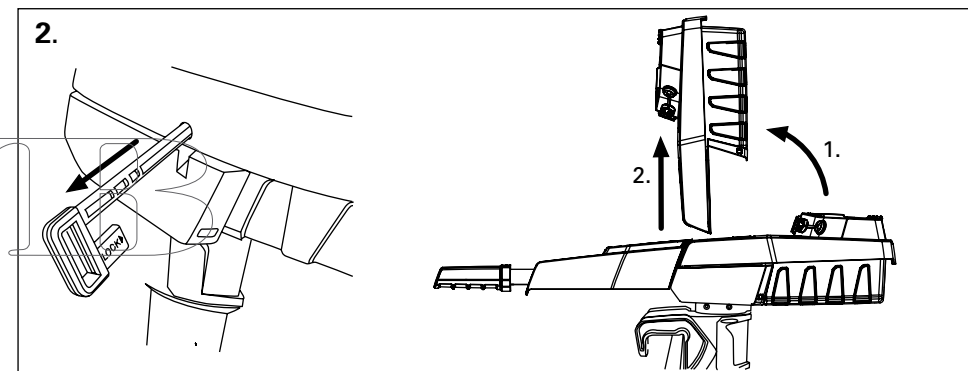
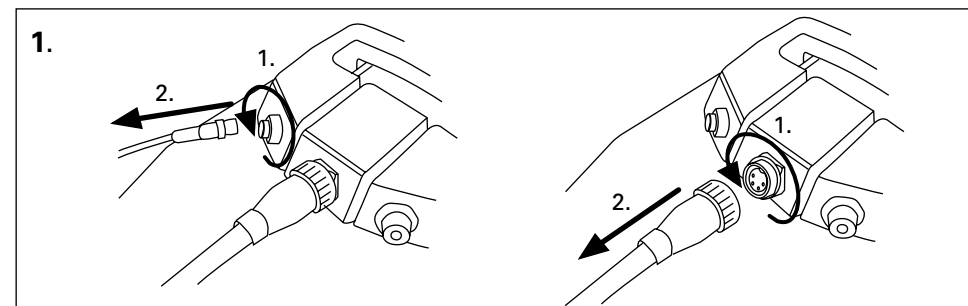


In the unlikely event that your Torqeedo battery should catch fire, try to move it into a position where it cannot cause damage. Water cannot extinguish a lithium fire – if possible cover the battery with sand.

## 7.6 Error messages/trouble shooting

Display	Cause	What to do
E02	Stator over-temperature (motor overheating)	Motor can be used again after a short wait about 10 minutes). Contact Torqeedo Service.
E05	Motor/propeller blocked	Disconnect motor cable from battery, then loosen blockage and turn propeller one revolution by hand. Reconnect motor cable.
E06	Voltage in the motor too low	Low battery charging status. Motor can potentially be used again slowly from the stop position.
E07	Motor overcurrent	Continue at low output.
E08	Circuit board overheating	Motor can be used again after a short wait about 10 minutes). Contact Torqeedo Service.
E21	Tiller calibration defective	<ul style="list-style-type: none"> <li>• Re-calibrate: Press "cal" button for 10 seconds.</li> <li>• The display shows "cal up": Press tiller forward to full gas then press the "cal" button.</li> <li>• The display shows "cal stp": Return tiller to central position then press the "cal" button.</li> <li>• The display shows "cal dn": Press tiller backward to full gas then press the "cal" button.</li> </ul>
E22	Magnetic sensor defective	Re-calibrate (refer to E21)
E23	Value range false	Re-calibrate (refer to E21)
E30	Motor communication error	Check the motor cable's plug-in connection. Check the motor cable for damage.
E32	Tiller communication error	Check the tiller's plug-in connections. Check the cable.
E33	General communication error	Check the plug-in connections and cables. Switch the motor off and on again.
E41, E42	Incorrect charging voltage	Use a Torqeedo power supply. If the error occurs in spite of using a Torqeedo power supply, wait until the battery dissipates the overcharge. Should the error persist please contact Torqeedo Service.
E43	Battery empty	Charge battery. Motor can potentially be used again slowly from the stop position.
E45	Battery overcurrent	Switch motor off and on again. If this error occurs the battery status indicator and range display can no longer operate until the battery has been fully charged again.
E46	Battery operating temperature error	Battery cells outside operating temperature between -20°C and +60°C (-4°F to 140°F). The motor can be used again when the temperature has stabilized.
E 48	Charging temperature error	Charging will continue when the cell temperature is between 0°C and +45°C (32°F to 113°F).
Other error codes	Faulty	Contact Torqeedo Service and notify them of the error code.
No blinking during charge process, no function of tiller-display during charge process	Faulty	Contact Torqeedo Service.

## 8. Dismantling



## 9. Storage and care instructions

### 9.1 Corrosion protection, care, maintenance

After use in salt or brackish water rinse the motor with fresh water.

Please spray the contacts about every 2 months with contact spray (e.g. Liquid Evolution Wet Protect Nautic).

As a result of the selected materials (high quality aluminum, austenitic stainless steel) and the electrical separation of different materials under the water surface, a sacrificial node is not required even when operating in salt water.

The surfaces of the Travel motor can be cleaned with normal, commercial detergents. The plastic surfaces can be treated with cockpit spray.

Except when charging the charging socket must always be covered. To do so please use the flap provided.

After 5 years of operation the shaft sealing ring must be exchanged. Please contact an authorized service center for this.



When carrying out service and maintenance work on the motor, always remove the motor's plug connector to prevent the motor from starting up accidentally.

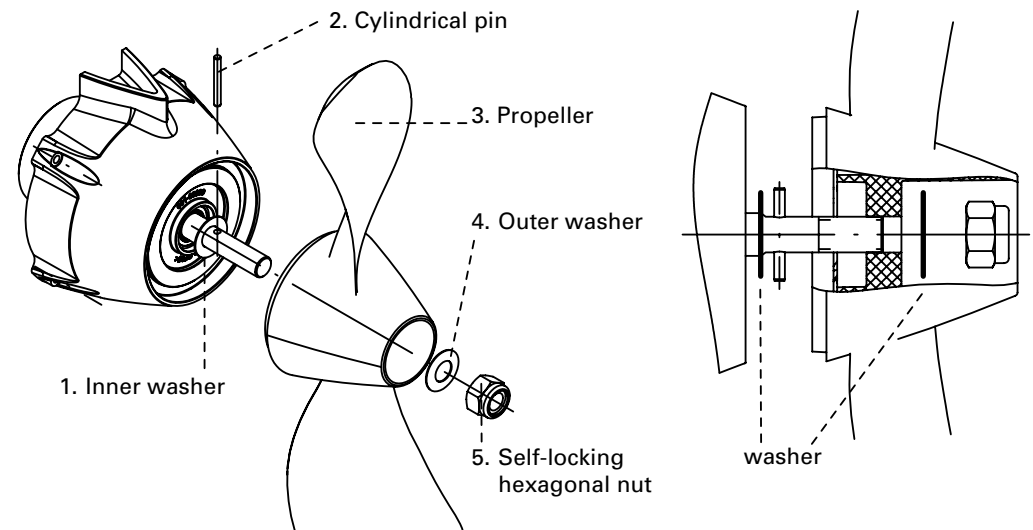
### 9.2 Caring for the battery

You extend the lifespan of your battery if you do not expose it to hot environments for longer than necessary. A cool ambient temperature is especially important if you store the battery for longer periods of time.

Comply with the following rules if you are storing your battery for a longer period of time. Storage for around six months: Charging level when stored 50 %. Storage for a whole year: Charging level when stored 100 %. If the battery is to be stored for several years the charging level should be checked once a year in order to prevent the battery from deep discharging.

### 9.3 Changing the propeller

1. Disconnect the motor cable from the battery.
2. Use a socket wrench, metric socket size 17 (11/16" for the US), to unscrew the self-locking hexagonal nut on the propeller. Hold the propeller with protective gloves (risk of injury).
3. Remove the propeller and the outer washer from the motor shaft.
4. Pull the cylindrical pin out of the motor shaft and remove the inner washer from the motor shaft.
5. Reconnect the motor cable to the battery and switch the motor on. Let the motor run slowly and check at the shaft sealing ring whether the shaft rotates evenly. Take care that no loose clothing, scarves or other clothing as well as hair can catch in the motor shaft and be pulled in. In case of damage or if the shaft or sealing rings rotate out of true, contact Torqueedo Service.
6. Disconnect the motor cable from the battery. Place a new washer onto the motor shaft and insert the new cylindrical pin into the centre of the motor shaft.
7. Place the propeller onto the motor shaft as far as it will go, so that the cylindrical pin locks into the recess provided in the propeller.
8. Place the outer washer onto the motor shaft and screw the self-locking hexagonal nut hand-tight onto the propeller. Hold the propeller with protective gloves (risk of injury).



## 10. Warranty conditions

### 10.1 Extent of warranty

Torqueedo GmbH, Friedrichshafener Straße 4a in 82205 Gilching, Germany guarantees the final purchaser of a Torqueedo outboard motor that the product is free from material and manufacturing faults during the period stated below. Torqueedo will indemnify the final purchaser for any expense for the repair of a material or manufacturing fault. This indemnification obligation does not cover the incidental costs of a warranty claim or any other financial losses (e.g. costs for towing, telecommunications, food, accommodation, loss of earnings, loss of time etc.).

The warranty ends two years after the date on which the product was delivered to the final purchaser. Products that are used commercially or by public authorities - even if only temporarily - are excluded from this two-year warranty. In these cases, the statutory warranty applies. The right to claim under warranty runs out six months after discovery of a fault.

Torqueedo decides whether faulty parts are repaired or replaced. Distributors and dealers who repair Torqueedo motors have no authority to make legally binding statements on behalf of Torqueedo.

Normal wear and tear and routine servicing are excluded from the warranty.

Torqueedo is entitled to refuse a warranty claim if:

- the warranty was not correctly submitted (in particular failure to contact Torqueedo before sending back goods, failure to present a completely filled-in warranty certificate and proof of purchase, refer to Warranty process),
- the product has been used improperly,
- the safety, operating and care instructions in the manual were not observed,
- the product was in any way altered or modified or parts and accessories were added that are not expressly permitted or recommended by Torqueedo,
- previous services or repairs were not carried out by firms authorized by Torqueedo, or non-original parts were used.

As well as the rights arising from this warranty, the customer also has legal warranty claim rights arising from the purchase contract with the dealer that are not hampered by this warranty.

### 10.2 Warranty process

Adhering to the following warranty process is a prerequisite to the satisfaction of any warranty claims.

Before dispatching any apparently faulty goods, it is imperative to coordinate the delivery with Torqueedo Services, Torqueedo Service will issue an RMA-Number. You can contact us by phone, email or mail. The ability to make contact via the [www.torqueedo.com](http://www.torqueedo.com) website is being extended successively. You can find the contact details on the back of this manual.

**Please understand that we are unable to deal with products of which we have not been notified and will therefore refuse to accept delivery.**

When shipping products to us for repair or under warranty, please pay attention to the following requirements:

- **Please note the RMA Number well visible on the outside of the transport packaging.**
- **Please provide a completed warranty certificate** with your shipment. The warranty certificate form is located on page 30 of this manual, it will be also available as a download from our website. The completed certificate must provide contact details, product details, serial number, and a brief description of the problem.
- **Please provide a proof of purchase.** The proof of purchase must indicate also the date of purchase (e.g. transaction receipt).

To check a warranty claim and to process a warranty, we require your assistance:

For returning the motor to the Service Center, we recommend keeping the original Torqueedo packaging. If this is no longer available packaging that excludes transport damage must be used as this is not included in the warranty.

We are available to answer any questions regarding the warranty process - simply use the details on the back cover.

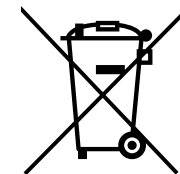
Service

## 11. Accessories

Item#	Item	Description
1146-00	Spare battery Travel 503	High-performance lithium battery with integrated GPS receiver, 320 Wh, 29.6 V, 11 Ah, USB-connector to power other electric devices
1147-00	Spare battery Travel 503/1003	High-performance lithium battery with integrated GPS receiver, 530 Wh, 29.6 V, 18 Ah, USB-connector to power other electric devices
1917-00	Spare propeller v9/p790	For Travel 503 and Travel 1003 with production as of 2014 (Ø 292 mm)
1918-00	Remote throttle for Travel 503/1003	Allows running Travel 503/1003 models with a remote throttle, including built-in display providing information on battery status, GPS-based speed and remaining range, including 1.5 m/4.9 ft and 5 m/15 ft connection cable between motor and throttle
1919-00	Long tiller arm	Longer tiller handle, 60 cm/23.6 in., for Travel 503/1003 models (available May 2011)
1920-00	Travel and Ultralight motor cable extension	Extension for cable connection between battery and motor for Ultralight 403 and Travel 503/1003 models, allows for longer distance between battery and motor, 2 m/6 ft long, with waterproof connectors (available May 2011)
1921-00	Throttle cable extension 1.5 m/4.9 ft	Extension cable connection for Travel 503/1003, Ultralight and Cruise R models; allows for longer distance between tiller or throttle and motor/battery
1922-00	Throttle cable extension 5 m/15 ft	Extension cable connection for Travel 503/1003, Ultralight and Cruise R models; allows for longer distance between tiller or throttle and motor/battery
1925-00	Travel bags (2 pieces)	Bags for motor and battery of Travel models
1926-00	Travel battery bag	Bag for spare battery of Travel models
1931-00	Outboard cover for Travel	For Travel 1003 and 503 models. Protects motor cable from UV fading and shaft head from dirt. 95% waterproof, 5% breathable
1924-00	TorqTrac	Smartphone app with improved onboard computer functions. Suitable for Travel 503/1003, Ultralight, Cruise R and Cruise T models. Including data cable with bluetooth module to connect outboard and smartphone.
1914-00	Magnetic kill switch	Emergency-stop and immobiliser for Travel, Cruise and Ultralight models
1927-00	Spare parts kit Travel	Set for Travel models consisting of magnetic kill switch, large battery fixing pin and small steering fixing pin
1128-00	Charging cable 12 V Travel and Ultralight models	Allows charging of Travel 503/1003 and Ultralight 403 models from 12 V power supply.
1132-00	Sunfold 50	Foldable solar panel with 50 W, handy format, high efficiency, plug-and-play connections for watertight charging of Travel 503/1003, compatible only with batteries part no. 1146-00 and 1147-00
1133-00	Charger 90 W for Travel 503/1003 battery	90 W charger for power outlets between 100-240 V and 50-60 Hz. Use only with Travel battery part no. 1146-00 and 1147-00.

## 12. Decommissioning the product / disposal

Torqueedo Travel motors are manufactured in accordance with EU Directive 2002/96. This directive regulates the disposal of electrical and electronic devices to protect the environment. You can, in line with local regulations, hand in the motor at a collecting point. From there it will be professionally disposed.



Respect Inspection date. Do not use after expiration date without having an inspection carried out by an authorised Torqueedo Service Center.

SVIB

SVMB



## WARRANTY CLAIM FORM

Dear Customer,

Your satisfaction with our products is very important to us. Every product has been produced and tested with extraordinary diligence. If nevertheless a warranty claim should occur, we would like to help you as fast and effectively as we can.

For a smooth process we need your cooperation:

- Please complete this Warranty Claim Form.
- Please provide a copy of your proof of purchase (invoice, receipt).
- Please look for the nearest Torqeedo Service location under [www.torqeedo.com](http://www.torqeedo.com) in the Service Centre section. Contact the Service Centre you choose before you send in the product. Please understand that we have to reject received products which the Service Centre was not notified of.
- Please ensure suitable packaging.
- Please be advised that lithium batteries are designated as Hazardous Material. The dispatch of the battery with a transport company has to be organized according to the formalities for dangerous goods and packed in the original packaging.
- Please observe the warranty conditions as listed in the Instruction Manuals.

### Contact Details

First Name	Last Name
Address	City, State, Zip Code / Postcode
Country	E-mail
Telephone No.	Mobile No.
When existing: Customer ID	

### Details of claim

Exact product name	Serial No. of motor/battery
Date of purchase	Hours of use (approx.)
Dealer where product was purchased	Address of dealer (City, Zip Code, Country)
Detailed description of problem (including error message, in which situation the error occurred...)	
RMA number (Only if product is sent to Torqeedo Service Center directly, not to Service Partners)	

Thank you very much for your cooperation, the Torqeedo Service

Europe & international: [service\\_international@torqeedo.com](mailto:service_international@torqeedo.com) T +49 - 8153 - 92 15 - 126 F +49 - 8153 - 92 15 - 329  
A list of Certified Service Centres can be found under [www.torqeedo.com](http://www.torqeedo.com), Service Center

North America : [service\\_usa@torqeedo.com](mailto:service_usa@torqeedo.com) T +1-815-444-8806 F +1-815-444-8807  
A list of Certified Service Centers can be found under [www.torqeedo.com](http://www.torqeedo.com), Service Center

## GARANTIESCHEIN

Sehr geehrter Kunde, sehr geehrte Kundin,

Ihre Zufriedenheit mit unseren Produkten liegt uns am Herzen. Sollte es vorkommen, dass ein Produkt trotz aller Sorgfalt, die wir bei der Produktion und Prüfung an den Tag legen, einen Defekt aufweist, ist es uns wichtig, Ihnen schnell und unbürokratisch weiter zu helfen.

Um Ihren Garantieanspruch zu prüfen und Garantiefälle reibungslos abwickeln zu können, benötigen wir Ihre Mithilfe:

- Bitte füllen Sie diesen Garantieschein vollständig aus.
- Bitte stellen Sie eine Kopie Ihres Kaufnachweises (Kassenbon, Rechnung, Quittung) zur Verfügung.
- Suchen Sie sich einen Service-Standort in Ihrer Nähe – unter [www.torqeedo.com/service-center/service-standorte](http://www.torqeedo.com/service-center/service-standorte) finden Sie eine Liste mit allen Adressen. Wenn Sie Ihr Produkt an das Torqeedo Service-Center in Gilching schicken, brauchen Sie eine Vorgangsnummer, die Sie telefonisch oder per E-Mail abfragen können. Ohne Vorgangsnummer kann Ihre Sendung dort nicht angenommen werden! Wenn Sie Ihr Produkt an einen anderen Service-Standort schicken, sprechen Sie bitte das Prozedere vor Versand mit dem jeweiligen Service-Partner ab.
- Bitte sorgen Sie für eine angemessene Transportverpackung.
- Achtung beim Versand von Batterien: Batterien sind als Gefahrgut der UN Klasse 9 deklariert. Der Versand über Transportunternehmen muss gemäß der Gefahrgut-Regularien und in der Originalverpackung erfolgen!
- Bitte beachten Sie die in der jeweiligen Gebrauchsanweisung aufgeführten Garantiebedingungen.

### Kontaktdaten

Vorname	Name
Straße	Land
Telefon	PLZ, Ort
E-Mail	Mobiltelefon
falls vorhanden: Kunden-Nr.	

### Reklamationsdaten

Genaue Produktbezeichnung	Seriennummer
Kaufdatum	Betriebsstunden (ca.)
Händler, bei dem das Produkt gekauft wurde	Anschrift des Händlers (PLZ, Ort, Land)
Ausführliche Problembeschreibung (inklusive Fehlermeldung, in welcher Situation trat der Fehler auf etc.)	
Vorgangsnummer (bei Einsendung an das Torqeedo Service Center in Gilching zwingend erforderlich, die Sendung kann ansonsten nicht angenommen werden)	

Vielen Dank für Ihre Kooperation, Ihr Torqeedo Service

Torqeedo Service Gilching: [service@torqeedo.com](mailto:service@torqeedo.com) T +49 - 8153 - 92 15 - 126 F +49 - 8153 - 92 15 - 329  
Deutschland/Europa: Sie finden den nächsten Service-Standort auf [www.torqeedo.com](http://www.torqeedo.com) unter Service Center



SVMB

## 1. Inhalt

1. Inhalt	
2. Wichtige Sicherheits- und Handhabungshinweise .....	36
3. Einleitung .....	38
4. Gesetzlich vorgeschriebene Angaben .....	38
4.1 Identifizierung und technische Daten .....	38
4.2 Konformitätserklärung .....	40
5. Ausstattung und Bedienelemente .....	41
5.1 Lieferumfang .....	41
5.2 Übersicht Bedienelemente und Komponenten .....	41
6. Inbetriebnahme .....	41
7. Bedienung .....	42
7.1 Fahrbetrieb .....	42
7.2 Multifunktionsanzeige mit Signalton .....	42
7.3 Kippen des Motors und Fixierung der Lenkung .....	46
7.4 Bedienung des Akkus .....	47
7.4.1 Allgemeine Hinweise Akku .....	47
7.4.2 Laden des Akkus mit Netzteil .....	48
7.4.3 Laden des Akkus vom Bordnetz .....	49
7.4.4 Solar-Laden des Akkus .....	50
7.4.5 Versorgung eines Gerätes über den USB Versorgungsanschluss .....	50
7.5 Außergewöhnliche Funktionen/Notsituationen .....	51
7.6 Fehlermeldungen/Fehlersuche .....	52
8. Demontage .....	53
9. Hinweise zur Lagerung und Pflege .....	54
9.1 Allgemeine Pflegehinweise, Wartung und Korrosionsschutz .....	54
9.2 Akkupflege .....	54
9.3 Wechseln des Propellers .....	55
10. Garantiebedingungen.....	56
10.1 Garantieuumfang .....	56
10.2 Garantieprozess .....	57
11. Zubehör .....	58
12. Außerbetriebnahme des Produkts / Entsorgung .....	59
13. Torqeedo Service Center .....	60

SWIMMER

## 2. Wichtige Sicherheits- und Handhabungshinweise



### GEFAHR

Dieses Symbol warnt vor Verletzungsgefahren für Sie und andere.

Torqueedo Motoren sind so konzipiert, dass sie sicher und zuverlässig arbeiten, sofern sie entsprechend der Bedienungsanleitung benutzt werden. Bitte lesen Sie diese Bedienungsanleitung sorgfältig bevor Sie den Motor in Betrieb nehmen. Fehlende Berücksichtigung dieser Hinweise kann Sach- oder Personenschäden zur Folge haben. Torqueedo übernimmt keine Haftung für Schäden, die durch Handlungen entstanden sind, die im Widerspruch zu dieser Bedienungsanleitung stehen.

Um einen sicheren Betrieb des Motors zu gewährleisten:

- Prüfen Sie den Zustand und die Funktion des Außenborders (inklusive Not-Halt) vor jeder Fahrt.
- Beachten Sie, dass die GPS-basierte Reichweiten-Berechnung eine Veränderung von Strömung und Windverhältnissen nicht berücksichtigt. Änderungen der Fahrtrichtung sowie von Strömungen und Windrichtungen können die angezeigte Rest-Reichweite wesentlich beeinflussen.
- Nehmen Sie stets ein Paddel mit an Bord.
- Wenn Sie den Motor bei hohen Umgebungstemperaturen Vollgas fahren, sollten Sie beachten, dass der Motor automatisch die Geschwindigkeit drosselt, um ein Überhitzen des Akkus zu vermeiden. Ein blinkendes Thermometer im Display weist Sie darauf hin (Temperatur-Schutz-Modus).
- Machen Sie sich mit allen Bedienelementen des Motors vertraut. U.a. sollten Sie in der Lage sein, den Motor bei Bedarf schnell zu stoppen.
- Überlassen Sie die Handhabung des Motors nur erwachsenen Personen, die eine Einweisung in die Bedienung erhalten haben.
- Beachten Sie die Hinweise des Bootsherstellers zur zulässigen Motorisierung Ihres Bootes; überschreiten Sie nicht die angegebenen Leistungsgrenzen.
- Stoppen Sie den Motor sofort, falls jemand über Bord gehen sollte.
- Betreiben Sie den Motor nicht, falls sich jemand in der Nähe des Bootes im Wasser befindet.
- Öffnen Sie nicht das Gehäuse des Akkus. Schützen Sie den Akku vor mechanischen Beschädigungen. Sollte das Akku-Gehäuse beschädigt werden:
  - Benutzen Sie den Akku nicht mehr und laden Sie ihn nicht mehr. Es besteht Brandgefahr.
  - Falls aus dem beschädigten Akku Elektrolyt austreten sollte, vermeiden Sie Hautkontakt und direktes Einatmen der Gase. Sollten Sie in Kontakt mit aus dem Akku ausgetretenen Elektrolyt gekommen sein (z.B. auf der Haut oder in den Augen), spülen Sie die betreffenden Stellen gründlich mit klarem Wasser. Suchen Sie umgehend einen Arzt auf.

- Kontaktieren Sie ein Torqueedo Service Center für Entsorgungs-Hinweise des beschädigten Akkus
- Laden Sie den Akku stets unter Aufsicht einer erwachsenen Person auf feuerfestem Untergrund.
- Laden Sie den Akku nur bei Umgebungstemperaturen zwischen 0°C und 45°C.
- Bitte beachten Sie dass Lithium Akkus mit einer Kapazität >100 Wh seit 2009 nicht mehr in Passagierflugzeugen als Gepäck mitgeführt werden dürfen. Der diesem Produkt beigefügte Akku überschreitet diese Schwelle und darf daher weder als Handgepäck noch im Laderaum von Passagierflugzeugen mitgeführt werden.
- Der Akku Ihres Travel Motors ist als Gefahrgut der UN Klasse 9 deklariert. Der Versand über Transportunternehmen muss in Originalverpackung erfolgen. Der private Transport ist von dieser Regulierung nicht betroffen. Achten Sie bei privatem Transport darauf, dass das Akkugehäuse nicht beschädigt wird.
- Beachten Sie neben diesen ausgewählten Hinweisen die gesamte Gebrauchsanweisung.



### ACHTUNG

Dieses Symbol warnt vor Beschädigungsgefahren für oder durch Ihren Außenbordmotor.

Nachfolgend finden Sie eine Auswahl der wichtigsten Hinweise zur Handhabung von Torqueedo Travel Motoren. Bitte beachten Sie neben diesen Hinweisen die gesamte Bedienungsanleitung, um Schäden an Ihrem Motor zu verhindern.

- Betreiben Sie den Motor nur, während sich der Propeller unter Wasser befindet. Bei längerem Betrieb außerhalb des Wassers nehmen die Wellendichtringe Schaden, die den Motor an der Getriebewelle abdichten, und es besteht die Gefahr der Überhitzung des Motors.
- Die Travel 503/1003 Modelle sind nach Schutzart IP67 (DIN ISO 60529) gegen Schmutz- und Wassereintritt geschützt (30 Minuten bei 1 Meter Tiefe).
- Nach Gebrauch muss der Motor grundsätzlich aus dem Wasser genommen werden. Dies kann über die Kipp-Vorrichtung erfolgen.
- Nach Betrieb im Salz- oder Brackwasser sollten alle Komponenten mit Frischwasser abgespült werden.
- Verwenden Sie alle zwei Monate Kontaktspray zur Pflege aller elektronischen Kontakte.
- Die Ladebuchse ist außerhalb des Ladeprozesses stets verschlossen zu halten. Bitte benutzen Sie hierzu die an der Buchse befestigte Kappe.
- Sie verlängern die Lebensdauer Ihres Akkus, wenn Sie ihn nicht länger als notwendig direkter Sonneneinstrahlung aussetzen.
- Bei längerer Einlagerung Ihres Akkus sollten Sie folgende Regeln beachten. Einlagerung für ca. ein halbes Jahr: Ladestand bei Einlagerung 50%. Einlagerung für ein ganzes Jahr: Ladestand bei Einlagerung 100%. Bei mehrjähriger Lagerung sollte der Ladestand des Akkus ein Mal jährlich nachgeladen werden, um eine Tiefentladung des Akkus zu vermeiden.
- Vor dem ersten Gebrauch vollladen um die Ladezustandsanzeige zu kalibrieren.

- Bei Funktionsstörungen des Motors erscheint ein Fehlercode im Display. Nach Beseitigung des Fehlers kann der Motor aus der Stopp-Stellung weiter gefahren werden. Bei einigen Fehlercodes ist ein Ausschalten des Motors über die „Ein/Aus“-Taste in der Pinne erforderlich. Beschreibungen und Details finden Sie im Kapitel „Fehlermeldungen/ Fehlersuche“ in dieser Bedienungsanleitung.
- Bei Fremdantrieb (Schleppen des Bootes, Segeln, Fahrt unter anderem Motor) ist der Propeller aus dem Wasser zu nehmen um Schäden an der Elektronik zu vermeiden.

### 3. Einleitung

Sehr geehrte Kundin, sehr geehrter Kunde,

wir freuen uns darüber, dass unser Motorenkonzept Sie überzeugt hat. Ihr Torqeedo Travel Außenborder entspricht mit Blick auf Motor-, Batterie- und Propellertechnik dem neuesten Stand der Technik. Er wurde mit äußerster Sorgfalt und unter besonderer Beachtung von Komfort, Benutzerfreundlichkeit und Sicherheit entworfen und gefertigt und vor seiner Auslieferung eingehend geprüft.

Bitte nehmen Sie sich die Zeit, diese Bedienungsanleitung gründlich durchzulesen, damit Sie den Motor sachgemäß behandeln können und langfristige Freude an ihm haben.

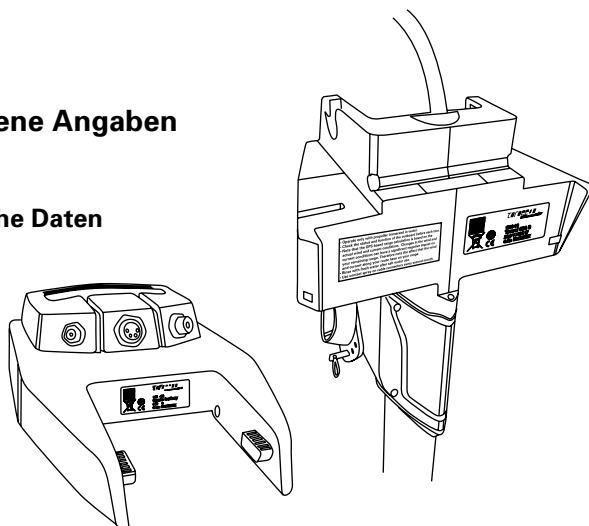
Wir wünschen Ihnen viel Freude auf dem Wasser mit diesem Produkt.

Ihr Torqeedo Team

### 4. Gesetzliche vorgeschriebene Angaben

#### 4.1 Identifizierung und technische Daten

Die Typenschilder mit der vollständigen Produktbezeichnung befinden sich an den in der Abbildung angezeigten Stellen.



### Erklärung und Beschreibung der Symbole



Magnetfeld



Abstand halten von Herzschrittmachern und anderen medizinischen Implantaten – mind. 50 cm.



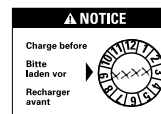
Abstand halten von Magnetkarten (z. B. Kreditkarten) und anderen magnetisch sensiblen Informationsträgern – mind. 50 cm



Bitte Bedienungsanleitung sorgfältig lesen



Zeitpunkt für Inspektion oder Entsorgung der Batterie



Akku muss spätestens zu dem auf der Verpackung angegebenen Datum voll aufgeladen werden

### Technische Daten

Typenbezeichnung	Travel 503 S	Travel 503 L	Travel 1003 S	Travel 1003 L
Max. Eingangsleistung (in Watt)	500	500	1.000	1.000
Max. Vortriebsleistung (in Watt)	220	220	480	480
Max. Gesamtwirkungsgrad (in %)	44	44	48	48
Vergleichbarer Benzin-Außenborder (Vortriebsleistung)	1,5 PS	1,5 PS	3 PS	3 PS
Bestimmungsgemäßer Gebrauch für Boote mit Gesamtgewicht bis (in Tonnen)	0,8	0,8	1,5	1,5
Integrierte Batterie	320 Wh Li-Ion	320 Wh Li-Ion	530 Wh Li-Ion	530 Wh Li-Ion
Nennspannung (in Volt)	29,6	29,6	29,6	29,6
Ladeendspannung (in Volt)	33,6	33,6	33,6	33,6
Entladeschluss-Spannung (in Volt)	24,0	24,0	24,0	24,0
Gebrauchs-/Lager-Temperatur Akku	-20°C – +60°C	-20°C – +60°C	-20°C – +60°C	-20°C – +60°C
Ladetemperatur Akku	0°C – +45°C	0°C – +45°C	0°C – +45°C	0°C – +45°C
Gesamtgewicht	12,7 kg	13,3 kg	13,4 kg	14,0 kg
Schaftlänge	59 cm / 23 Zoll	71 cm / 28 Zoll	59 cm / 23 Zoll	71 cm / 28 Zoll
Maße (L x B x H)	83,0 x 23,2 x 103,5 cm	83,0 x 23,2 x 115,5 cm	83,0 x 23,2 x 103,5 cm	83,0 x 23,2 x 115,5 cm
Standard-Propeller (v = Geschwindigkeit in km/h @ p = Leistung in Watt)	v9/p790	v9/p790	v9/p790	v9/p790
Max. Propellerdrehzahl (in U/min)	700	700	1.200	1.200
Trimmstufen	0°, 7°, 14°, 21°	0°, 7°, 14°, 21°	0°, 7°, 14°, 21°	0°, 7°, 14°, 21°
Schutzklasse IP67 (geschützt gegen Untertauchen maximal 30 Minuten, maximal 1 Meter)	Ja	Ja	Ja	Ja

## 4.2 Konformitätserklärung

Für die nachfolgend bezeichneten Erzeugnisse

1140-00 - Travel 503 S      1142-00 - Travel 1003 S  
1141-00 - Travel 503 L      1143-00 - Travel 1003 L

wird hiermit erklärt, dass sie den wesentlichen Schutzanforderungen entsprechen, die in den nachfolgend bezeichneten Richtlinien festgelegt sind:

- RICHTLINIE **2014/30/EU** DES EUROPÄISCHEN PARLAMENTS UND DES RATES vom 26. Februar 2014 zur Harmonisierung der Rechtsvorschriften der Mitgliedstaaten über die elektromagnetische Verträglichkeit (Neufassung)

Angewandte harmonisierte Normen:

- **EN 61000-6-2:2005** - Elektromagnetische Verträglichkeit (EMV) - Teil 6-2: Fachgrundnormen - Störfestigkeit für Industriebereiche (IEC 61000-6-2:2005)
- **EN 61000-6-3:2007 + A1:2011** - Elektromagnetische Verträglichkeit (EMV) - Teil 6-3: Fachgrundnormen - Störaussendung für Wohnbereich, Geschäfts- und Gewerbebereiche sowie Kleinbetriebe (IEC 61000-6-3:2006 + A1:2010)

- RICHTLINIE **2006/42/EG** DES EUROPÄISCHEN PARLAMENTS UND DES RATES vom 17. Mai 2006 über Maschinen und zur Änderung der Richtlinie 95/16/EG (Neufassung)

Angewandte harmonisierte Norm:

- **EN ISO 12100:2010** - Sicherheit von Maschinen - Allgemeine Gestaltungsgrundsätze Risikobeurteilung und Risikominderung

**Dokumentationsbevollmächtigter** im Sinne des Anhang II Ziffer 1 Abschnitt A. Nr. 2., 2006/42/EG:

Name, Vorname: Zwez, Michael  
Stellung im Betrieb des Herstellers: Qualitätsmanagementbeauftragter der Geschäftsführung

Diese Erklärung gilt für alle Exemplare, die nach den entsprechenden Fertigungszeichnungen - die Bestandteil der technischen Dokumentation sind - hergestellt werden.  
Diese Erklärung wird verantwortlich für den Hersteller

Name: Torqeedo GmbH  
Anschrift: Friedrichshafener Straße 4a, 82205 Gilching, Deutschland

abgegeben durch

*Plieninger*

Name, Vorname: Dr. Plieninger, Ralf  
Stellung im Betrieb des Herstellers: Geschäftsführer

Gilching, 27. Januar 2015

Dokument: 203-0002  
Monat.Jahr: 01.2015

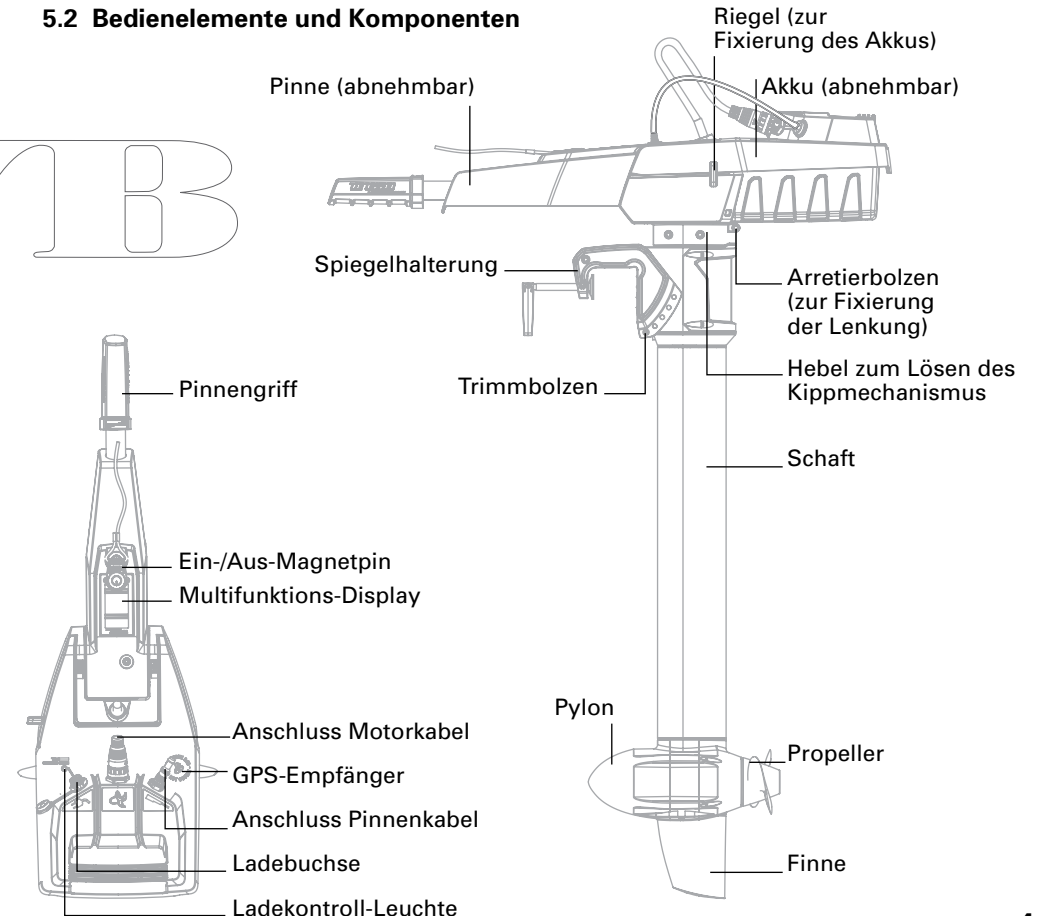
## 5. Ausstattung und Bedienelemente

### 5.1 Lieferumfang

Zum vollständigen Lieferumfang Ihres Torqeedo Travel gehören folgende Teile:

- Motor
- Akku
- Pinne
- Ein-/Aus-Magnetpin
- Verpackung
- Arretierbolzen (zur Fixierung der Lenkung)
- Riegel (zur Fixierung des Akkus)
- Netzgerät inkl. Euro-Netzkabel und US-Netzkabel
- Bedienungsanleitung
- Garantieschein

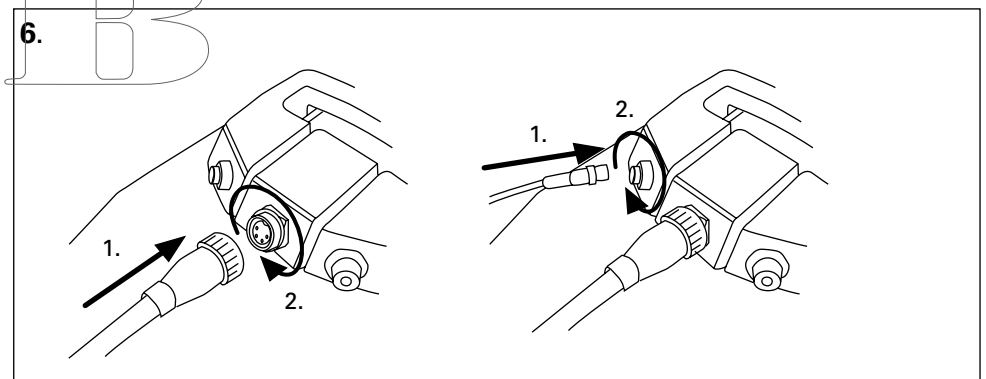
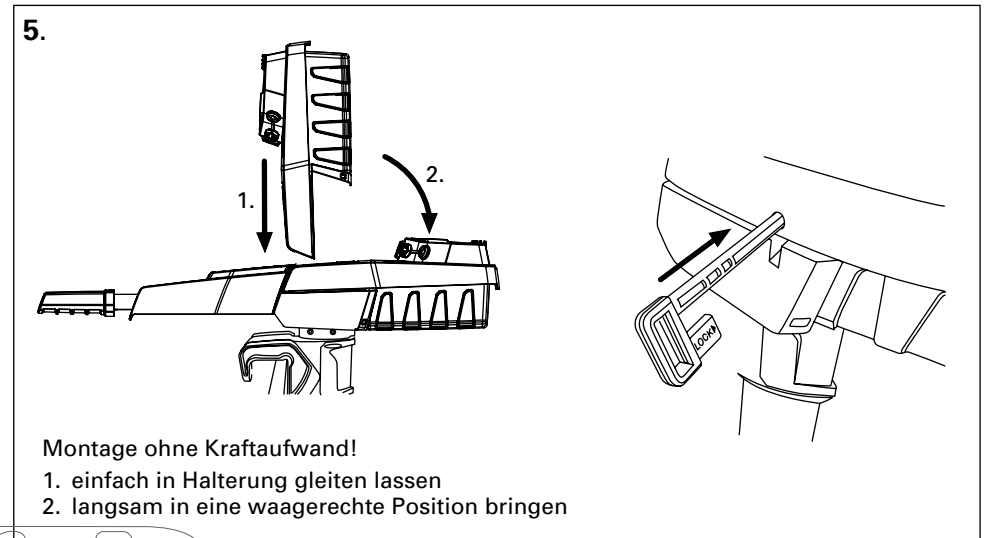
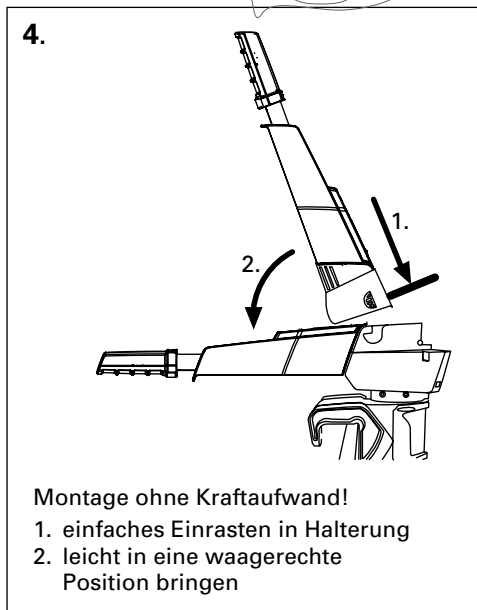
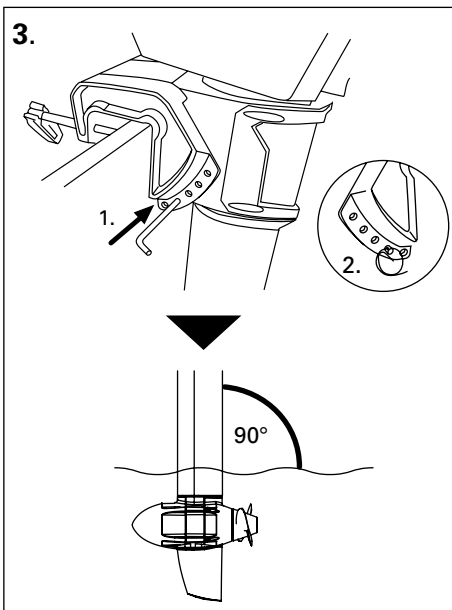
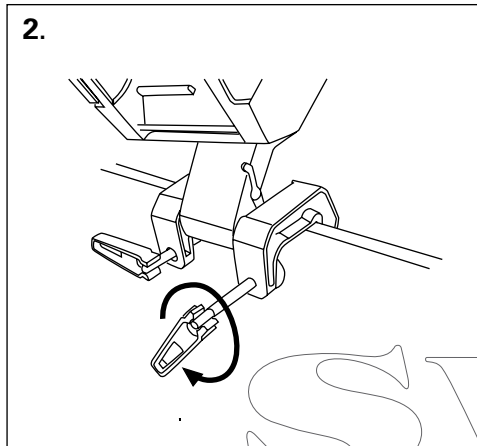
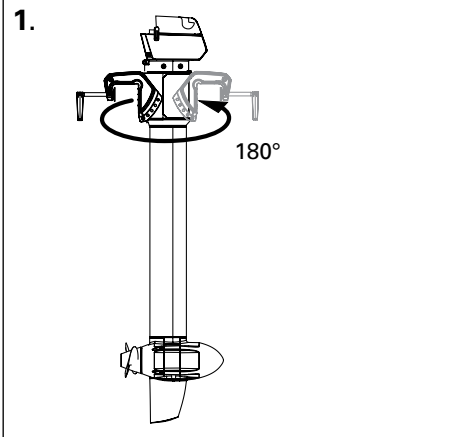
### 5.2 Bedienelemente und Komponenten



## 6. Inbetriebnahme



- Bitte achten Sie auf eine festen Stand, wenn Sie Ihren Außenborder montieren.
- Montieren Sie den Außenborder immer ohne Akku und Pinne. Erst nach Montage einsetzen (s. Abb. 4 und 5).
- Achtung, Quetschgefahr: Achten Sie auf Ihre Hände und Finger!



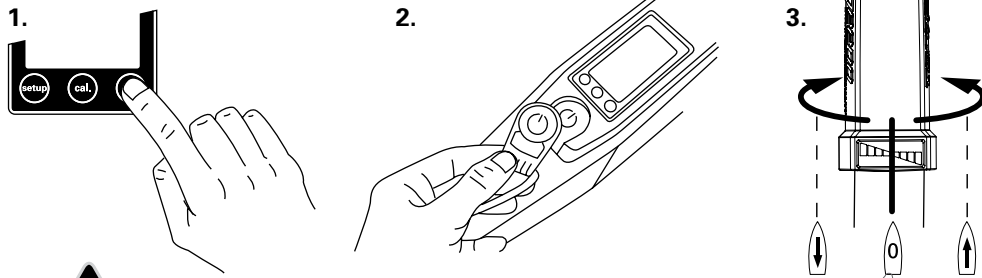
- Vor der ersten Benutzung oder nach mehrmonatiger Lagerung sollte die Batterie zu 100% vollgeladen werden, um die Batterie-Ladestandanzeige zu kalibrieren (99% Ladung ist für die Kalibrierung nicht ausreichend).
- Achten Sie darauf, dass die Kabel nicht gequetscht, eingeklemmt oder beschädigt werden.
- Achten Sie darauf, dass die Überwurfmutter der Stecker gerade aufgesetzt werden und das Gewinde beim Festziehen nicht beschädigt wird.



## 7. Bedienung

### 7.1 Fahrbetrieb

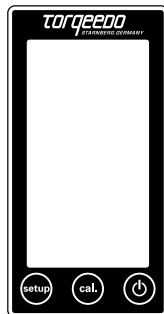
Um den Motor zu starten, müssen Sie ihn einschalten, den Magnetpin auflegen und den Pinnengriff aus der Stopp-Stellung in die gewünschte Richtung drehen.



- Der Magnetpin kann die Funktion von Herzschrittmachern beeinflussen. Halten Sie den Magnetpin von Herzschrittmachern fern (mindestens 50 cm). Der Magnetpin kann elektronische und magnetische Instrumente beeinflussen (z.B. Kompass). Prüfen Sie die Beeinflussung von Instrumenten an Bord vor Fahrtantritt.
- Kleben oder binden Sie den Magnetpin nicht an die Pinne.
- Befestigen Sie die Schnur des Magnetpins fest an Ihrem Handgelenk oder Ihrer Schwimmweste.
- Prüfen Sie die Funktion des Magnetpins vor jeder Fahrt.



Der Magnetpin kann magnetische Informationsträger löschen (insbesondere Kreditkarten, Scheckkarten etc.). Halten Sie den Magnetpin von Kreditkarten und anderen magnetischen Informationsträgern fern.



### 7.2 Multifunktionsanzeige mit Signalton

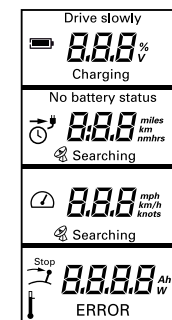
Die Pinne ist mit einem **integrierten Display bzw. Bordcomputer** und drei Tasten ausgestattet. Wenn Sie die „Ein/Aus“-Taste für 1 Sekunde betätigen, schalten Sie den Motor ein. Ein erneutes Drücken für 3 Sekunden schaltet den Motor wieder aus. Sie können den Motor in jedem Betriebszustand ausschalten. Nach einer Stunde ohne Aktivität schaltet sich das System automatisch ab. Durch erneutes Drücken kann er wieder eingeschaltet werden.

Mit der „setup“-Taste haben Sie die Möglichkeit, die Einheiten der Anzeige einzustellen. Durch Drücken der „setup“-Taste gelangen Sie in das Menü. Zunächst können Sie die Einheiten auswählen, in denen die verbleibende Reichweite angezeigt wird. Durch Drücken der „cal“-Taste wählen Sie zwischen Angaben in Kilometern, Meilen, Seemeilen und Stunden. Durch nochmaliges Drücken der „setup“-Taste bestätigen Sie Ihre Auswahl. Sie gelangen dann in die Einstellung der Geschwindigkeitsanzeige. Hier können Sie zwischen Stundenkilometern, Meilen pro Stunde und Knoten wählen. Die Auswahl erfolgt wiederum durch Drücken der „cal“ Taste. Durch erneutes Drücken der „setup“-Taste bestätigen Sie Ihre Auswahl und gehen zum nächsten Anzeigefeld. Abschließend wird die Anzeige des Batteriestatus gewählt. Sie haben die Auswahl zwischen „Akku-Ladestand in Prozent“ sowie „Spannung in Volt“. Die Auswahl der gewünschten Anzeige erfolgt wieder mit Hilfe der „cal“-Taste. Durch Drücken von „setup“ bestätigen Sie Ihre Auswahl und verlassen das „setup“ Menü. Die Aufschrift „cal“ auf der mittleren Taste steht für „calibration“ oder Kalibrierung. Im Fall einer entsprechenden Fehlermeldung im Display können Sie mit Hilfe dieser Taste die Pinne neu kalibrieren. Details hierzu finden Sie im Kapitel „Fehlermeldungen/Fehlersuche“.

#### Anzeige-Beispiel im Normalbetrieb:

75%	Batterie-Ladestand in Prozent
18.2 km	Verbleibende Reichweite bei aktueller Geschwindigkeit
7.2 km/h	Geschwindigkeit über Grund
273 W	Aktueller Leistungsverbrauch in Watt

#### Andere Anzeigen:




**Drive slowly:** Erscheint, wenn die Akkukapazität <30% ist.


**Charging:** Wird während des Ladens angezeigt.



Das im Akkupack integrierte GPS Modul sucht Satellitensignale zur Geschwindigkeitsbestimmung. Solange kein GPS Signal empfangen wird, zeigt die Anzeige im zweiten Feld immer die „Restlaufzeit bei aktueller Geschwindigkeit“ (Zeitangabe) und ein Uhrensymbol wird angezeigt. Ist die Restlaufzeit größer als 10 Stunden wird die Restlaufzeit in ganzen Stunden angezeigt.

Wenn sie kleiner ist, werden Stunden und Minuten angezeigt, Das GPS Modul beendet die Suche, wenn innerhalb von fünf Minuten kein Signal empfangen wurde. Um die Suche erneut zu aktivieren, muss das System am Ein/Aus Knopf der Pinne aus und wieder eingeschaltet werden.

 Dieses Symbol erscheint, wenn die Pinne in der Mittel-Stellung (Stopp-Stellung) gebracht werden muss. Dies ist erforderlich bevor Sie losfahren können.

 Erscheint bei Übertemperatur des Motors. Der Motor regelt in diesem Fall die Leistung selbstständig zurück.

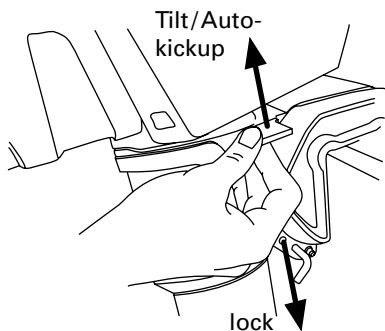
**Error:** Im Fehlerfall erscheint im untersten Feld das Symbol Error und ein Fehlercode wird angezeigt. Der Code zeigt die auslösende Komponente sowie den Fehler der Komponente an. Details zu den Fehlercodes finden Sie im Kapitel Fehlermeldungen/ Fehlersuche.

Wenn der Ladestand unter 30% sinkt, ertönt ein 3-maliger Signalton. Der Signalton wird wiederholt, wenn der Ladestand unter 20% bzw. 10% sinkt. Ist beim Einschalten der Ladestand unter 30% ertönt der Signalton ebenfalls.



Der Ladestand des Akkus muss unterwegs zu jeder Zeit im Auge behalten werden.

### 7.3 Kippen des Motors und Fixierung der Lenkung



Der Kipperrhebel erlaubt in der „Tilt/Auto kick-up“ Position (Hebel oben) ein Hochkippen des Motors bei Grundberührung. In dieser Position sind Vollgas-Rückwärtsfahrt und Aufstoppen nicht möglich.

In der Position „Lock“ (Hebel unten) ist das automatische Hochkippen abgeschaltet. Vollgasfahrt rückwärts ist möglich.

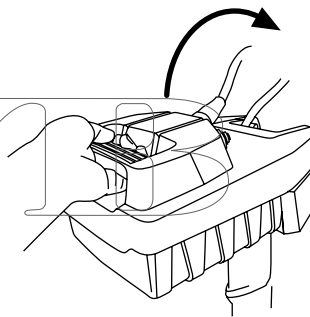


- Wenn der Kipperrhebel auf Tilt/Auto-kick-up steht, sind Aufstoppen und Rückwärtsfahrt nicht möglich. Stellen Sie den Kipperrhebel auf die Position „Lock“ wenn ein Aufstoppen oder eine Rückwärtsfahrt ggf. notwendig werden können.
- Achten Sie beim Kippen des Motors auf einen sicheren Stand.
- Vorsicht beim Kippen des Motors: der Schaftkopf kann umschlagen.
- Achtung, Quetschgefahr: Achten Sie auf Ihre Hände und Finger!

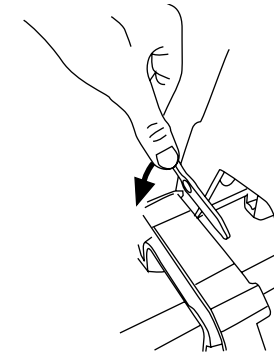


Die Auto-kick-up Einstellung schützt den Motor bei Grundberührungen. Sie bietet keine Gewähr, dass eine Grundberührung nicht zu Schäden am Propeller oder sogar am Motor führt. Dies gilt insbesondere für Grundberührungen auf Stein oder Fels.

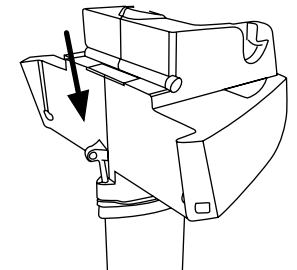
Hochkippen des Motors



Lösen der Arretierung und Herunterkippen des Motors



Fixieren der Lenkung (sofern gewünscht)



### 7.4 Bedienung des Akkus

#### 7.4.1 Allgemeine Hinweise Akku

Typenbezeichnung	Akku Travel 503	Akku Travel 1003
Kapazität	320 Wh	530 Wh
Gebrauchs-/Lager-Temperatur	-20°C bis +60°C (-4°F bis 140°F)	
Optimale Lagerung (für Lagerung >3 Monate)	Lagertemperatur 5-15°C (40-60°F) Ladestand ~50% bei Lagerung für ½ Jahr Ladestand 100% bei Lagerung für 1 Jahr	
Selbstendladungsrate bei optimaler Lagerung	3,6% pro Monat, 43% pro Jahr	
Ladezeit (Netzteil)	5 Stunden	7 Stunden
Ladetemperatur Akku	0°C bis +45°C (32°F bis 113°F)	

Die Akkus der Modelle 503 und 1003 unterscheiden sich in ihrer Kapazität. Beide Motoren können aber mit beiden Akkus betrieben werden. (Travel 1003 Motoren werden bei Verwendung des 320 Wh Akkus auf 50% Leistung reduziert.)

Der Lithium-Ionen-Akku ist gegenüber Zyklen (1 Zyklus = Entladung und Wiederaufladung) sehr unempfindlich. Die Zellen verlieren nach Entnahme des 500fachen der Akku-Kapazität etwa 20% ihrer Kapazität (also z.B. nach 500 Entladungen zu 100% oder nach 1.000 Entladungen zu 50% oder nach 2.000 Entladungen zu 25%). Diese Angabe zur Lebensdauer gilt allerdings nur unter Normbedingungen (insbesondere mit Blick auf Umgebungstemperaturen von ca. 20° C). Die Batterie hat keinen Memory Effekt.

Wesentlicher als die Anzahl der Zyklen ist es für die Lebensdauer Ihres Akkus, dass er nicht dauerhaft übermäßiger Wärme ausgesetzt ist. Bei längerer Lagerung sollte er daher nach Möglichkeit kühl gelagert werden.

Die Anwendung des Motors in heißem Klima und bei hohen Tagestemperaturen ist unkritisch. Nach Benutzung sollte der Akku aber aus der Sonne genommen werden.

Die Batterie-Elektronik erlaubt ein Laden des Akkus auch während der Benutzung (gleichzeitige Ladung und Entladung).

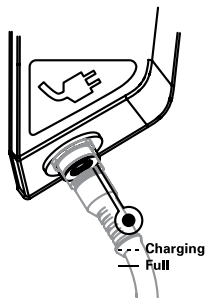
Die Leistungsanzeige zeigt in diesem Fall nur die aus der Batterie entnommene Leistung. Ist der Ladestrom größer als der vom Motor entnommene Strom, zeigt die Leistungsanzeige 0 W und der Akku wird geladen. Die Ladestandanzeige berücksichtigt sowohl den Ladestrom als auch den vom Motor entnommenen Strom.

STARB



- Die Ladebuchse ist außerhalb des Ladeprozesses stets verschlossen zu halten. Bitte benutzen Sie hierzu die beigegefügte Kappe.
- Weder den Akku noch das Ladegerät während des Ladevorgangs abdecken.

#### 7.4.2 Laden des Akkus mit Netzteil



Die Ladebuchse des Akkus ist mit einem Stecker gekennzeichnet. Zum Laden wird das Netzteil mit Steckdose und Ladebuchse verbunden. Während des Ladevorgangs blinkt die Ladekontroll-Leuchte (Charging) im Batteriegehäuse. Ist der Ladevorgang abgeschlossen, leuchtet diese Leuchte permanent. Für genauere Informationen kann während des Ladevorgangs die Pinne mit dem Akku verbunden werden. In diesem Fall zeigt das Pinnen-Display die Funktion „Charging“ sowie den Ladestand in Prozent an.



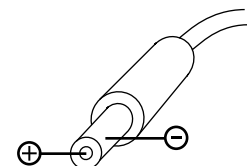
- Öffnen Sie nicht das Gehäuse des Akkus. Schützen Sie den Akku vor mechanischen Beschädigungen. Sollte das Akku-Gehäuse beschädigt werden:
  - Benutzen Sie den Akku nicht mehr und laden Sie ihn nicht mehr. Es besteht Brandgefahr.
  - Falls aus dem beschädigten Akku Elektrolyt austreten sollte, vermeiden Sie Hautkontakt und direktes Einatmen der Gase. Sollten Sie in Kontakt mit aus dem Akku ausgetretenen Elektrolyt gekommen sein (z.B. auf der Haut oder in den Augen), spülen Sie die betreffenden Stellen gründlich mit klarem Wasser. Suchen Sie umgehend einen Arzt auf.
  - Kontaktieren Sie ein Torqeedo Service Center für Entsorgungs-Hinweise des beschädigten Akkus.
- Schließen Sie den Akku nicht kurz.
- Laden Sie den Akku stets unter Aufsicht einer erwachsenen Person auf feuerfestem Untergrund.
- Laden Sie den Akku nur bei Umgebungstemperaturen zwischen 0°C und 45°C.
- Bitte beachten Sie, dass Lithium Akkus mit einer Kapazität >100 Wh seit 2009 nicht mehr in Passagierflugzeugen als Gepäck mitgeführt werden dürfen. Der diesem Produkt beigegefügte Akku überschreitet diese Schwelle und darf daher weder als Handgepäck noch im Laderaum von Passagierflugzeugen mitgeführt werden.
  - Das im Lieferumfang enthaltene Ladegerät ist nicht wasserdicht, Ladevorgang muss spritzwassergeschützt erfolgen.

#### 7.4.3 Laden des Akkus vom Bordnetz

Der Akku kann von jeder Gleichspannungsquelle im Bereich von 9,5V ... 50V geladen werden.

Der Mindeststrom muss 4A betragen.

Bitte verwenden Sie hierfür einen Kabelquerschnitt von mindestens 0,5 mm<sup>2</sup>. Der benötigte Hohlstecker hat die Maße 5,5/2,5 mm. Verwenden Sie beispielsweise das 12 V Ladekabel von Torqeedo. Die Polarität ist zu beachten - siehe Skizze.



Wenn der Akku nicht mit dem mitgelieferten Netzteil (oder anderen Torqeedo Produkten) geladen wird, ist die Polarität der Verbindung unbedingt zu beachten. Nichtbeachtung führt zu Schäden am Gerät, die nicht unter die Garantie fallen.



- Falls Sie andere als Original Torqueedo Produkte zum Laden des Akkus vom Bordnetz benutzen, stellen Sie sicher, dass ausreichende Kabeldurchmesser verwendet werden (Brandgefahr).
- Spannungen über 60V (auch kurzzeitig) können den Akku beschädigen.

#### 7.4.4 Solar-Laden des Akkus

Der Akku lässt sich direkt mit Hilfe des Solar-Ladegeräts SUNFOLD 50 laden (Artikel Nr. 1132-00).

Desweiteren lässt sich der Akku auch mit Solarpanelen bis 50V Leerlaufspannung laden. Bitte verwenden Sie hierfür einen Kabelquerschnitt von mindestens 0,5 mm<sup>2</sup>. Der Akku passt sich dabei der Pannelleistung dynamisch an.

Spezifikation zu Hohlstecker und Polarität: siehe Kapitel 7.4.3.

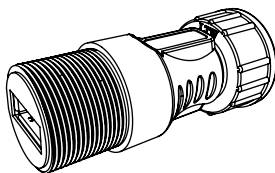


- Laden Sie den Akku stets unter Aufsicht einer erwachsenen Person auf feuerfestem Untergrund.
- Spannungen über 60 V (auch kurzzeitig) können den Akku beschädigen.

#### 7.4.5 Versorgung eines Gerätes über den USB Versorgungsanschluss

Über den beiliegenden Adapter können USB-kompatible Geräte versorgt werden. Die Ausgangsspannung beträgt 5V, der maximale Ausgangsstrom 1A.

Stecken Sie den Adapter auf die Ladebuchse auf und drehen Sie die Überwurfmutter fest. Stecken sie den USB-A Stecker ihres Gerätes in den Adapter. Das Gerät wird noch vier Stunden nach dem Ausschalten des Pinnendisplays versorgt. Die Ladekodierung für Smartphones beträgt 1A nach Apple Standard.

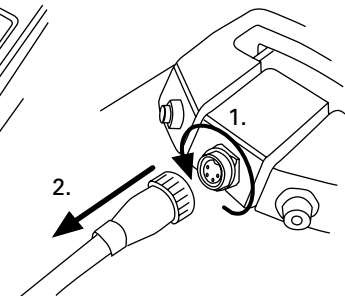
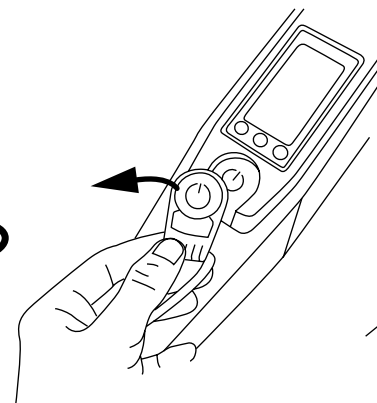
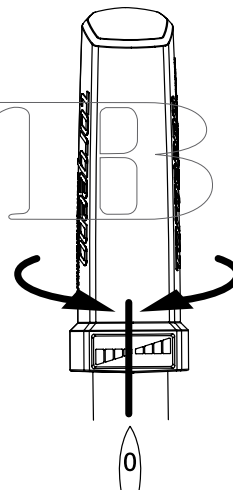


- Achten sie darauf keine (Hebel-)Kräfte auf den Adapter auszuüben.
- Achten Sie bitte darauf, dass kein Wasser in den USB-Adapter gelangt.
- Bei Nichtgebrauch bitte den USB-Adapter entfernen.

#### 7.5 Außergewöhnliche Funktionen/Notsituationen

Sie können Ihren Motor auf drei verschiedene Arten stoppen:

1. Pinne in Stopp-Position bringen
2. Magnetpin ziehen
3. Motorkabel von der Batterie entfernen (Hauptschalter)

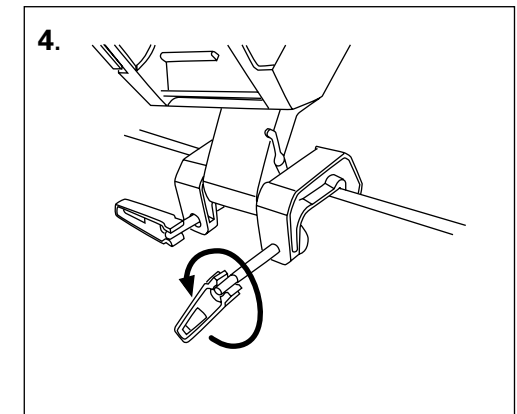
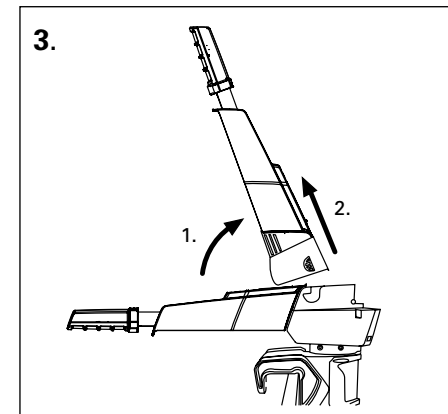
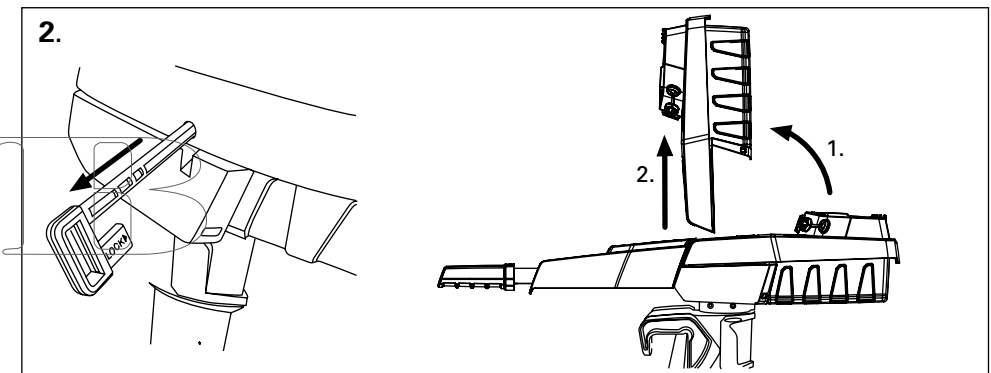
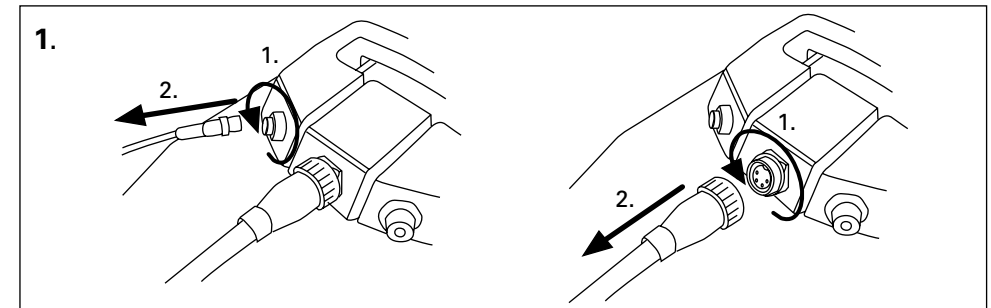


Für den unwahrscheinlichen Fall, dass Ihr Lithium-Akku Feuer fängt, versuchen Sie, ihn in eine Position zu bringen, wo er möglichst wenig Schaden anrichtet. Wasser kann einen Lithium Brand nicht löschen – wenn möglich, ersticken Sie das Feuer mit Sand.

## 7.6 Fehlermeldungen/Fehlersuche

Anzeige	Ursache	Was ist zu tun
E02	Stator Übertemperatur (Motor überhitzt)	Motor kann nach kurzer Wartezeit (ca. 10 Minuten) langsam weiter betrieben werden. Torqeedo Service kontaktieren.
E05	Motor/Propeller blockiert	Motorkabel vom Akku trennen. Blockierung lösen und Propeller von Hand eine Umdrehung weiter drehen. Motorkabel wieder einstecken.
E06	Spannung am Motor zu niedrig	Niedriger Ladestand der Batterie. Motor kann ggf. aus Stopp-Stellung langsam weiter gefahren werden.
E07	Überstrom am Motor	Mit geringer Leistung weiter fahren. Torqeedo Service kontaktieren.
E08	Übertemperatur Leiterplatte	Motor kann nach kurzer Wartezeit (ca. 10 Minuten) langsam weiter betrieben werden. Torqeedo Service kontaktieren.
E21	Kalibrierung Pinne fehlerhaft	<ul style="list-style-type: none"> <li>• Neukalibrierung durchführen: Für 10 Sekunden "cal"-Taste drücken</li> <li>• Im Display erscheint "cal up": Pinne auf Vollgas vorwärts, anschließend "cal"-Taste drücken.</li> <li>• Im Display erscheint "cal stp": Pinne in die Mittel-(Stopp-)Stellung bringen, anschließend "cal"-Taste drücken.</li> <li>• Im Display erscheint "cal dn": Pinne auf Vollgas rückwärts, anschließend "cal"-Taste drücken.</li> </ul>
E22	Magnetsensor defekt	Neukalibrierung durchführen (siehe E21)
E23	Wertebereich falsch	Neukalibrierung durchführen (siehe E21)
E30	Kommunikationsfehler Motor	Überprüfen Sie die Steckverbindung des Motorkabels. Überprüfen Sie das Motorkabel auf Beschädigung.
E32	Kommunikationsfehler Pinne	Überprüfen Sie die Steckverbindungen der Pinne. Überprüfen Sie das Kabel.
E33	Allgemeiner Kommunikationsfehler	Überprüfen Sie die Steckverbindungen und die Kabel. Schalten Sie den Motor aus und wieder an.
E41, E42	Falsche Ladespannung	Verwenden Sie ein Torqeedo Netzteil. Sollte der Fehler trotz der Verwendung eines Torqeedo Netzteils auftreten, warten Sie einige Stunden, der Akku baut die Überladung intern ab. Sollte der Fehler auch weiterhin bestehen, kontaktieren Sie bitte den Torqeedo Service.
E43	Akku leer	Akku laden. Motor kann ggf. aus der Stopp-Stellung langsam weiter gefahren werden.
E45	Überstrom Akku	Motor ausschalten und wieder einschalten. Die Batteriestandsanzeige und Reichweitenanzeige sind nach diesem Fehler nicht mehr aussagefähig, bis der Akku wieder vollständig aufgeladen wurde.
E46	Betriebstemperaturfehler Akku	Akkuzellen außerhalb Betriebstemperatur zwischen -20°C und +60°C. Nach Temperaturstabilisierung kann der Motor weiter gefahren werden.
E 48	Temperaturfehler Laden	Akku abkühlen lassen, Ladung wird fortgesetzt, wenn Zellentemperatur zwischen 0°C und +45°C liegt.
Andere Fehlercodes	Defekt	Torqeedo Service kontaktieren und den Fehlercode mitteilen.
Keine Anzeige im Display/kein Blinken während des Ladens	Akku lädt nicht	Torqeedo Service kontaktieren

## 8. Demontage





## 9. Hinweise zu Lagerung und Pflege

### 9.1 Allgemeine Pflegehinweise, Wartung und Korrosionsschutz

Nach Gebrauch im Salzwasser oder Brackwasser ist der Motor mit Frischwasser abzuspülen.

Bitte sprühen Sie die Kontakte ca. alle 2 Monate mit Kontaktspray ein (z.B. Liquid Evolution Wet Protect Nautic).

Aufgrund der ausgesuchten Materialien (hochwertiges Aluminium, austenitischer Edelstahl) und aufgrund der elektrischen Trennung von unterschiedlichen Materialien unterhalb der Wasseroberfläche ist eine Opferanode auch für den Betrieb im Salzwasser nicht erforderlich.

Die Oberflächen des Travel Motors können mit handelsüblichen Reinigungsmitteln gereinigt werden. Die Kunststoffoberflächen können mit Cockpit-Spray behandelt werden.

Die Ladebuchse im Akku ist außerhalb des Ladeprozesses stets verschlossen zu halten. Bitte benutzen Sie hierzu die beigefügte Kappe.

Nach 5 Jahren Betrieb muss der Wellendichtring ausgetauscht werden. Bitte wenden Sie sich hierzu an ein autorisiertes Service Center.

STARB



Bei Inspektion und Instandhaltungsarbeiten am Motor immer den Motorstecker ziehen, um den Motor nicht unbeabsichtigt zu starten.

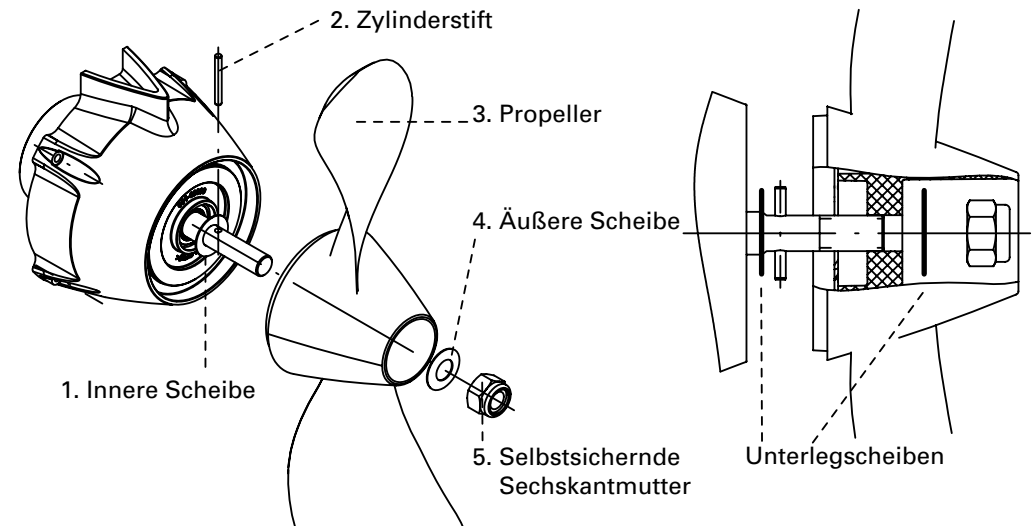
### 9.2 Akkupflege

Sie verlängern die Lebensdauer Ihres Akkus, wenn Sie ihn nicht länger als notwendig sehr heißer Umgebung aussetzen. Eine kühle Umgebungstemperatur ist insbesondere bei längerer Lagerung wichtig.

Hinsichtlich des Ladestandes sind bei längerer Einlagerung Ihres Akkus folgende Regeln zu beachten. Einlagerung für ca. ein halbes Jahr: Ladestand bei Einlagerung 50%. Einlagerung für ein ganzes Jahr: Ladestand bei Einlagerung 100%. Bei mehrjähriger Lagerung sollte der Ladestand des Akkus ein Mal jährlich nachgeladen werden, um eine Tiefentladung des Akkus zu vermeiden.

### 9.3 Wechseln des Propellers

1. Lösen Sie das Motorkabel vom Akku.
2. Selbstsichernde Sechskantmutter mit einem Steckschlüssel am Propeller lösen und abschrauben. Dabei den Propeller mit Schutzhandschuhen festhalten. (Verletzungsgefahr)
3. Propeller mit der äußeren Scheibe von der Motorwelle abziehen.
4. Zylinderstift aus der Motorwelle ziehen und die innere Scheibe von der Motorwelle abziehen.
5. Verbinden Sie das Motorkabel mit dem Akku und schalten Sie den Motor an. Lassen Sie den Motor langsam laufen und prüfen Sie am Wellendichtring, ob die Welle rund läuft. Darauf achten, dass keine lose Kleidung, Schals oder andere Kleidungsstücke, sowie Haare in die Motorwelle gezogen werden können. Bei Schäden oder Unrundheit der Welle oder den Dichtringen kontaktieren Sie den Torqueedo Service.
6. Lösen Sie das Motorkabel vom Akku. Neue Scheibe auf die Motorwelle stecken und den neuen Zylinderstift in die Motorwelle zentrisch einstecken.
7. Propeller bis zum Anschlag auf die Motorwelle aufstecken, so dass der Zylinderstift in die passende Nut im Propeller einrastet.
8. Stecken Sie die äußere Scheibe über die Motorwelle und ziehen Sie die selbstsichernde Sechskantmutter am Propeller handfest an. Dabei den Propeller mit Schutzhandschuhen festhalten. (Verletzungsgefahr)



## 10. Garantiebedingungen

### 10.1 Garantieuumfang

Die Torqeedo GmbH, Friedrichshafener Straße 4a in 82205 Gilching, Deutschland garantiert dem Endabnehmer eines Torqeedo Außenborders, dass das Produkt während des nachstehend festgelegten Deckungszeitraumes frei von Material- und Verarbeitungsfehlern ist. Torqeedo wird den Endabnehmer von den Kosten der Beseitigung eines Material- oder Verarbeitungsfehlers freihalten. Diese Freihalteverpflichtung gilt nicht für alle durch einen Garantiefall verursachten Nebenkosten und alle sonstigen finanziellen Nachteile (z.B. Kosten für Abschleppen, Telekommunikation, Verpflegung, Unterkunft, entgangene Nutzung, Zeitverlust usw.).

Die Garantie endet zwei Jahre nach dem Tag der Übergabe des Produktes an den Endabnehmer. Ausgenommen von der zweijährigen Garantie sind Produkte, die – auch vorübergehend – für gewerbliche oder behördliche Zwecke genutzt wurden. Für diese gilt die gesetzliche Gewährleistung. Der Garantieanspruch verjährt mit Ablauf von sechs Monaten nach Entdeckung des Fehlers.

Ob fehlerhafte Teile instand gesetzt oder ausgetauscht werden, entscheidet Torqeedo. Distributoren und Händler, die Reparaturarbeiten an Torqeedo-Motoren durchführen, haben keine Vollmacht, für Torqeedo rechtsverbindliche Erklärungen abzugeben.

Von der Garantie ausgeschlossen sind Verschleißteile und Routinewartungen.

Torqeedo ist berechtigt die Garantieansprüche zu verweigern wenn

- die Garantie nicht ordnungsgemäß eingereicht wurde (insbesondere Kontaktaufnahme vor Einsendung reklamierter Ware, Vorliegen eines vollständig ausgefüllten Garantiescheins und des Kaufbelegs, vgl. Garantieprozess),
- vorschriftswidrige Behandlung des Produktes entstanden ist,
- die Sicherheits-, Handhabungs- und Pflegehinweise der Bedienungsanleitung nicht befolgt wurden,
- der Kaufgegenstand in irgendeiner Weise umgebaut, modifiziert oder mit Teilen oder Zubehörartikeln ausgerüstet worden ist, die nicht zu der von Torqeedo ausdrücklich zugelassenen bzw. empfohlenen Ausrüstung gehören,
- vorangegangene Wartungen oder Reparaturen nicht durch von Torqeedo autorisierte Betriebe vorgenommen wurden bzw. andere als Original-Ersatzteile verwendet wurden, es sei denn der Endabnehmer kann nachweisen, dass der zur Ablehnung des Garantieanspruchs berechtigende Tatbestand die Entwicklung des Fehlers nicht begünstigt hat.

Neben den Ansprüchen aus dieser Garantie hat der Endabnehmer gesetzliche Gewährleistungsansprüche aus seinem Kaufvertrag mit dem jeweiligen Händler, die durch diese Garantie nicht eingeschränkt werden.

### 10.2 Garantieprozess

Die Einhaltung des nachfolgend beschriebenen Garantieprozesses ist Voraussetzung für die Erfüllung von Garantieansprüchen.

Bevor der Versand von reklamierten Produkten an Torqeedo erfolgen darf, ist die Einsendung unbedingt mit dem Torqeedo Service abzustimmen. Die Kontaktaufnahme kann per Telefon, Mail oder postalisch erfolgen. Kontaktadressen befinden sich auf der Rückseite dieser Bedienungsanleitung. **Wir bitten um Verständnis, dass wir unabgestimmte Einsendungen reklamierter Produkte nicht bearbeiten können und daher nicht annehmen.**

Zur reibungslosen Abwicklung von Garantiefällen bitten wir um Berücksichtigung folgender Hinweise:

- Im Rahmen der Abstimmung mit unserem Service vor Einsendung des Produktes erhalten Sie eine RMA-Nummer. **Bitte notieren Sie die RMA-Nummer gut sichtbar außen auf der Verpackung.**
- **Bitte legen Sie der Sendung einen ausgefüllten Garantieschein bei.** Der Vordruck befindet sich auf Seite 31 zum Heraustrennen und ist auch als Download auf unserer Website verfügbar. Die Angaben im Garantieschein müssen u.a. Kontaktdaten, Angaben zum reklamierten Produkt, Seriennummer und eine kurze Problembeschreibung enthalten.
- **Bitte legen Sie der Sendung den Kaufnachweis bei** (Kassenbon, Rechnung oder Quittung). Der Kaufnachweis muss insbesondere den Kauf sowie das Kaufdatum belegen.

Für die Einsendung des Motors an ein Service Center empfiehlt es sich, die Torqeedo-Originalverpackung aufzuheben. Falls diese nicht mehr verfügbar ist, sollte eine Verpackung verwendet werden, die Transportschäden ausschließt, da diese nicht unter die Garantie fallen.

Für Rückfragen zum Garantieprozess stehen wir Ihnen unter den auf der Rückseite angegebenen Koordinaten gern zur Verfügung.



## 11. Zubehör

Artikel-Nr.	Produkt	Beschreibung
1146-00	Wechselakku Travel 503	Lithium-Hochleistungsakku mit integriertem GPS-Empfänger, 320 Wh, 29,6 V, 11 Ah, USB-Adapter zum Aufladen anderer Geräte
1147-00	Wechselakku Travel 503/1003	Lithium-Hochleistungsakku mit integriertem GPS-Empfänger, 530 Wh, 29,6 V, 18 Ah, USB-Adapter zum Aufladen anderer Geräte
1917-00	Ersatzpropeller v9/p790	Für das Modell Travel 1003 und das Modell Travel 503 ab 2014. (Ø 292 mm)
1918-00	Ferngashebel	Ferngashebel mit Informationsdisplay (identische Funktion zu Pinne) sowie 5 m und 1,5 m Anschlusskabel
1919-00	Langer Pinnenarm	Längeres Pinnenrohr, 60 cm
1920-00	Travel und Ultralight Motorkabel Verlängerung, 2m	Ermöglicht größere Distanz zwischen Akku und Motor
1921-00	Kabelverlängerung Ferngashebel, 1,5 m	Ermöglicht größere Distanz zwischen Gashebel/Pinne und Motor
1922-00	Kabelverlängerung Ferngashebel, 5 m	Ermöglicht größere Distanz zwischen Gashebel/Pinne und Motor
1925-00	Travel Bags (2-teilig)	Für Transport und Lagerung von Travel 503/1003-Modellen. Lieferumfang umfasst 2 Taschen, eine Tasche für den Motor (inklusive Pinne und Zubehör) und eine Tasche für den Akku
1926-00	Travel Battery Bag	Für Transport und Lagerung von Travel 503/1003-Wechselakkus
1931-00	Schutzhülle Travel	Für Travel 503/1003. Schützt Motorkabel vor UV-Strahlung und Schaftkopf vor Schmutz. 95% wasserfest, 5% atmungsaktiv
1924-00	TorqTrac	Smartphone-App für Travel 503/1003, Cruise T/R sowie Ultralight Modelle. Ermöglicht größere Anzeige des Bordcomputers, Reichweitenanzeige auf der Karte und viele weitere Vorteile. Benötigt Bluetooth Low Energy®-fähiges Smartphone
1914-00	Not-Aus-Magnetchip	Notstopp-Schalter und Wegfahrsperrung für alle Travel, Cruise und Ultralight Modelle
1927-00	Ersatzteilset Travel	Set für Travel bestehend aus Not-Aus Magnetchip, Akku-Arretierungsstift und Lenkungsarretierung
1128-00	12 V Ladekabel, Travel 1003/503, Ultralight 403	Erlaubt das Laden der Modelle Travel 503/1003 und Ultralight 403 von einer 12-V-Stromquelle
1132-00	Sunfold 50	Faltbares Solarpanel mit 50 W, handliches Format, hohe Effizienz, plug-n-play-Anschlüsse für wasserdichtes Aufladen der Travel 503/1003 Modelle, nur mit Akku Art.-Nr. 1146-00 und 1147-00 kompatibel
1133-00	Ladegerät 90 W für Travel Akku	90 Watt-Ladegerät für Steckdosen zwischen 100-240 V und 50-60 Hz. Nutzung nur mit Travel Akku Art.-Nr. 1146-00 und 1147-00

## 12. Außerbetriebnahme des Produkts / Entsorgung

Die Torqeedo Travel Motoren sind entsprechend der EG-Richtlinie 2002/96 hergestellt. Diese Richtlinie regelt die Entsorgung von Elektro- und Elektronikgeräten zum nachhaltigen Schutz der Umwelt. Sie können, entsprechend der regionalen Vorschriften, den Motor an einer Sammelstelle abgeben. Von dort aus wird er der fachgerechten Entsorgung zugeführt.



Benutzen Sie die Batterie nicht nach Ablauf des aufgedruckten Verfallsdatums, ohne eine Inspektion in einem Torqeedo Service Center durchführen zu lassen.

WIB

## Torqueedo Corporate Offices

Torqueedo GmbH  
Friedrichshafener Straße 4a  
82205 Gilching  
Germany

Torqueedo Inc.  
171 Erick Street, Unit A-1  
Crystal Lake, IL 60014  
USA

info@torqueedo.com  
T +49 - 8153 - 92 15 - 100  
F +49 - 8153 - 92 15 - 319

usa@torqueedo.com  
T +1 - 815 - 444 88 06  
F +1 - 847 - 444 88 07

## Torqueedo Service Centers

**Germany / Austria /  
Switzerland**

Torqueedo GmbH  
- Service Center -  
Friedrichshafener Straße 4a  
82205 Gilching  
Germany

service@torqueedo.com  
T +49 - 8153 - 92 15 - 126  
F +49 - 8153 - 92 15 - 329

**North America**

Torqueedo Inc.  
171 Erick Street, Unit A-1  
Crystal Lake, IL 60014  
USA

service\_usa@torqueedo.com  
T +1 - 815 - 444 88 06  
F +1 - 847 - 444 88 07

## All other countries

Contact details of Service Centers are available  
under [www.torqueedo.com](http://www.torqueedo.com) in the "Service Center" section.

Translations of the original manual

## Alle weiteren Länder:

Kontaktdaten des Service Centers finden Sie unter [www.torqueedo.com](http://www.torqueedo.com)  
unter "Service Center".

Originalbetriebsanleitung