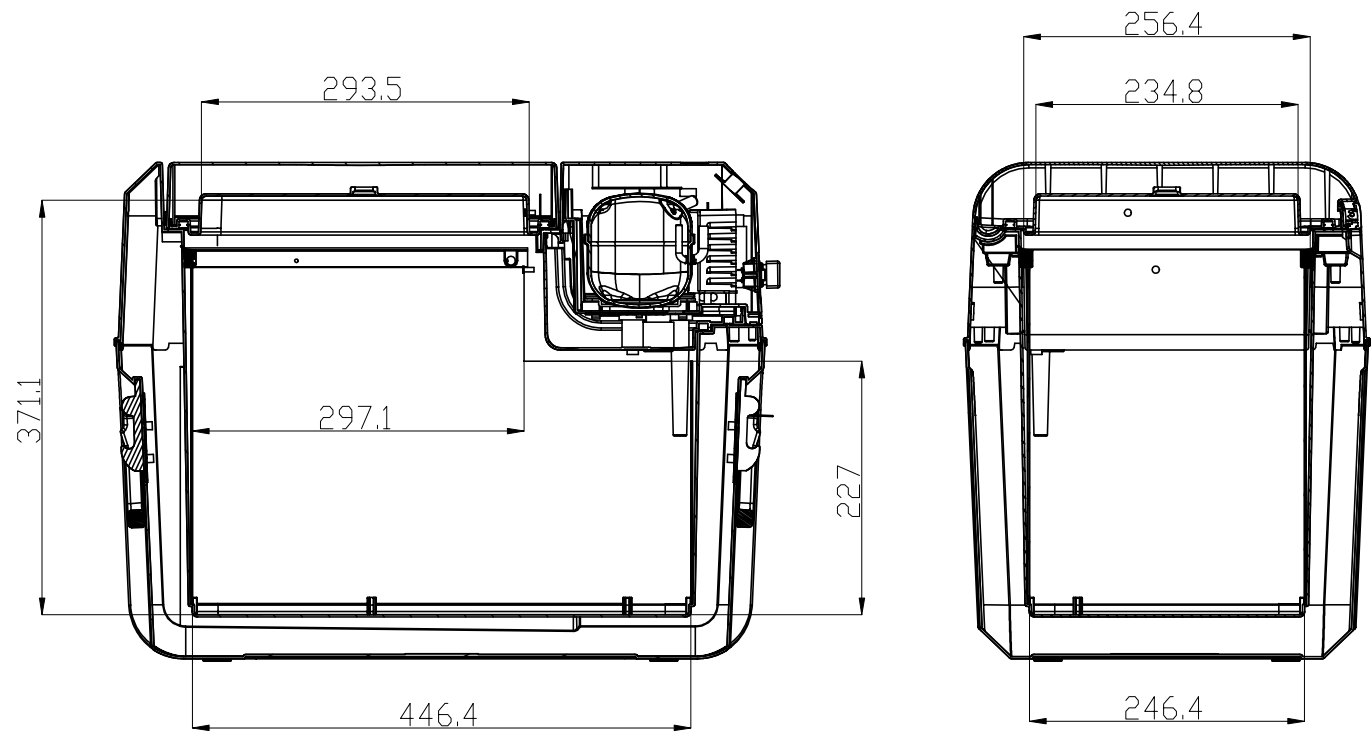


NOTE: THIS DRAWING WAS PRODUCED BY COMPUTER, DO NOT UPDATE MANUALLY.

PICTURE	A4
SCALE	



					PART NO.	MCF40
					TRIGONOMETRY	TITLE MCF40
					DRN T	MODEL NO. 527 DWG. NO.527
					CHK	SCALE FULL MAT'L ___
					APPV	UNIT MM SHEET 1/1
NOTE	DATE	CONTENT	ECO NO.	NAME	MOBICOOL INTERNATIONAL LTD. REV. 00	