

# ***G4marine 745***

## **Owner's Manual**

Watertight Stereo Receiver built for the Outdoors

With Built In Bluetooth Audio Streaming, DAB/FM,  
USB input, Auxiliary Input, Wired remote  
control, and RCA out.



## Product Description:

This radio features state of the art Bluetooth technology allowing music to wirelessly stream from an audio source to the receiver you just purchased. Why Bluetooth? From a practical standpoint, Bluetooth enables your music device (if applicable) to be placed in a glove box, your overhead console, or even your pocket-places that are dry-without having to install a separate docking station. In addition, Bluetooth audio streaming will work with any Bluetooth enabled device, not just one brand of media. Once connected, you can use your marine receiver to control your media device and vice versa!

## The H-820 incorporates the following features:



DAB/FM



Bluetooth Audio Streaming



USB input



Auxiliary input



Waterproof faceplate



4 X 40 W

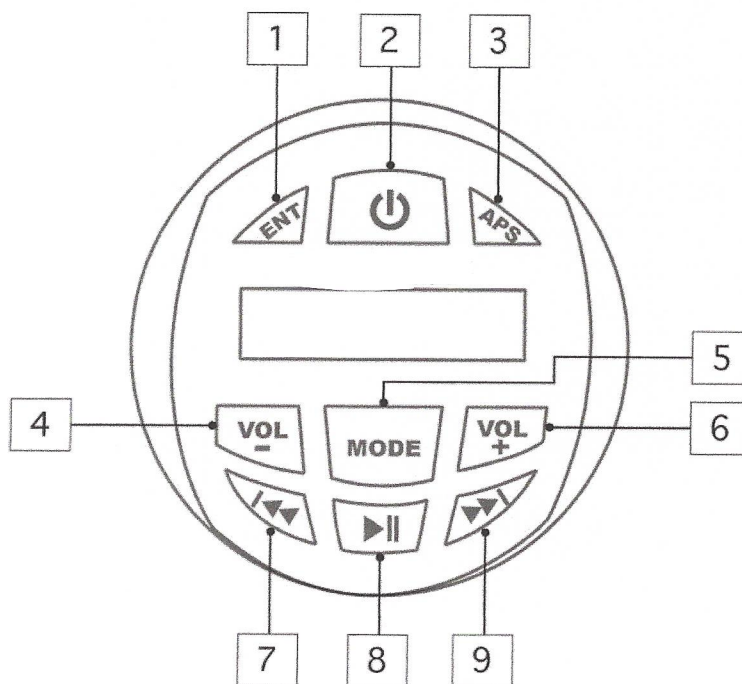


Wired Remote Ready  
(remote purchased separately)



RCA out

## Control Panel



# SVIB

1

### ENT BUTTON

- When in DAB mode a short press will enter a specific settings menu (see page 5)
- When in FM mode a short press will enter a specific settings menu (see page 6)

2

### POWER BUTTON

- Press to turn on the unit
- When on a short press will mute the unit
- When on a long press (over 2 seconds) will turn the unit off

3

APS BUTTON

- When in DAB or FM mode a short press will autotune
- When in FM mode a long press will start the Auto Pre-Set Function (see page 6)
- When in USB mode a short press will enter track select mode (the display will flash)  
Scroll through tracks with VOLUME buttons and confirm with a short press of the APS button

4

VOLUME - BUTTON

- Decrease Volume

5

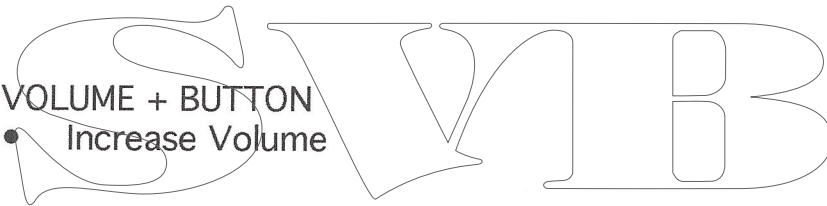
MODE BUTTON

- A short press switches between DAB/FM, Bluetooth, USB & Aux  
Note - USB will not show up if no drive is inserted
- A long press will enter the audio settings menu (see page 8)

6

VOLUME + BUTTON

- Increase Volume



7

PREVIOUS BUTTON

- Previous Track
- Previous Station
- Back

8

PLAY/PAUSE BUTTON

- When in USB or Bluetooth mode a short press will play/pause the current track

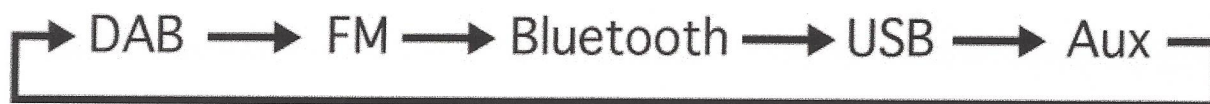
9

NEXT BUTTON

- Next Track
- Next Station
- Forward

## Operation

A short press of the MODE button will switch between the various unit modes as below (USB will not show up if no drive is inserted).



### DAB Radio

A short press of the APS button will perform a full scan of available DAB stations.

Following a full scan the stations can be navigated using the NEXT and PREVIOUS buttons.

When the desired station is displayed it can be confirmed with a long press of the ENT button.

DAB mode has its own specific settings menu that can be entered via a short press of the ENT button.

The menu can be navigated using the NEXT and PREVIOUS buttons and a selection confirmed with a long press of the ENT button.

The menu can be exited with a short press of the ENT button.

The menu options are outlined below

- Manual Tune - Select a specific frequency to tune to
- DRC - The Dynamic Range Frequency sets the range of volume that the radio plays. Setting to high increases this range
- Station Order - Stations can be ordered either alphanumerically or by ensemble
- Prune - Remove stations with weak signal
- System - Enter the system menu (see page 7)

## FM Radio

A short press of the APS button will perform a full scan of current stations. A long press of the APS button will enter in Auto Pre-Set mode. APS mode stores 18 stations with the strongest reception.

Following a full or APS scan the stations can be navigated using a short press of the NEXT and PREVIOUS buttons.

To manually select a frequency long press either the NEXT or PREVIOUS button.

Frequencies can now be navigated by a short press of the NEXT and PREVIOUS buttons.

FM mode has its own specific settings menu that can be entered via a short press of the ENT button.

The menu can be navigated using the NEXT and PREVIOUS buttons and a selection confirmed with a long press of the ENT button.

The menu can be exited with a short press of the ENT button.

The menu options are outlined below

- Scan Setting - Scan for only stations with strong signal or all
- Audio Setting - Play in either mono or stereo format
- System - Enter the system menu (see page 7)

## USB

The USB port of the MD10-001 is for USB sticks only. Other media devices can be played via the the auxiliary input.

Insert a stick into the USB slot containing either Mp3 or WMA files.

When in USB mode the PLAY/PAUSE button will play or pause playback.

A short press of the NEXT or PREVIOUS buttons will skip tracks.

A long press of the NEXT or PREVIOUS buttons will fast forward/rewind the current track.

During playback the screen will display the track data.

To select a specific track long press the APS button (the display will flash). Scroll through tracks with VOLUME buttons and confirm with a short press of the APS button.

## Bluetooth

To pair with the turn on the Bluetooth option of your device. When in Bluetooth mode long press the APS button until the unit displays 'Bluetooth discoverable'.

Select ' from the list of available devices. If you are prompted to enter a password it is '0000'.

A high pitched sound will confirm pairing is successful.

Once paired the PLAY/PAUSE button will play or pause playback.

A short press of the NEXT or PREVIOUS buttons will skip tracks.

A long press of the NEXT or PREVIOUS buttons will fast forward/rewind the current track.

During playback the screen will display the song title.

## Auxiliary Input

The Auxiliary input allows playback of other media devices.

The RCA outputs of the device can be connected directly to the auxiliary input plugs of the

Alternatively the RCA inputs can be adapted to a 3.5mm jack port via an adaptor cable (sold separately).

## System Settings Menu

The system settings menu can be accessed via the DAB or FM specific menus (see pages 5 or 6 respectively).

The menu options are outlined below

- Language - Select from English, French, German or Italian
- Factory Reset - Reset the unit back to factory settings
- SW Version - Display the current software version of the unit

## Audio Settings Menu

The audio settings menu allows you to change the bass, treble, balance and fade levels.

Enter the menu with a long press of the MODE button.

The level of each setting can be adjusted using the VOLUME - and VOLUME + buttons.

Short press the MODE button to move to the next setting in turn then back to normal screen.

## View & Adjust The Clock

A long press of the PLAY/PAUSE button displays the clock.

A long press of PLAY/PAUSE button will enter the time adjust setting. The hour digits should flash.

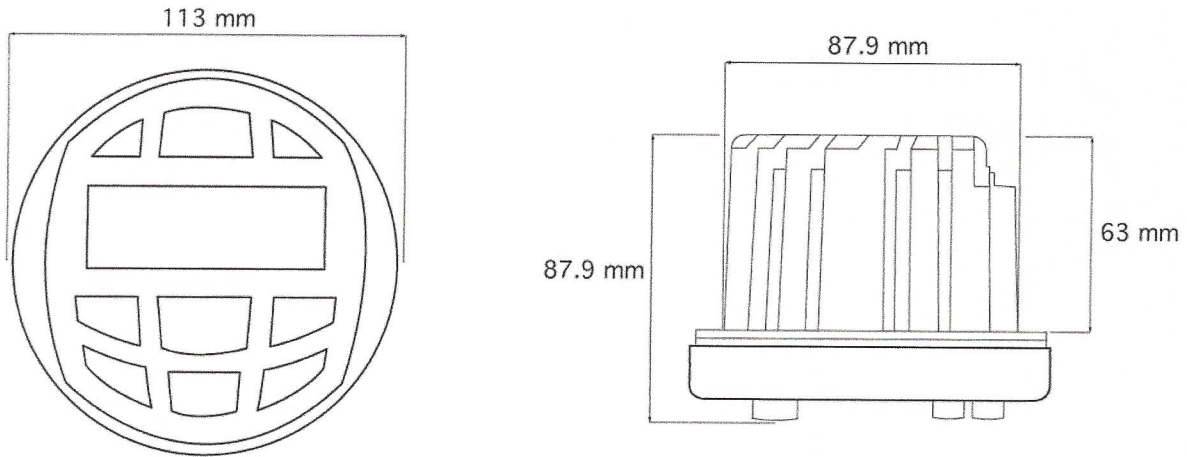
Use the VOLUME + and VOLUME - buttons to adjust the numbers and a short press of the PLAY/PAUSE button to switch between hours and minutes.

A long press of the PLAY/PAUSE button will confirm the new time.



# Installation

## Dimensions



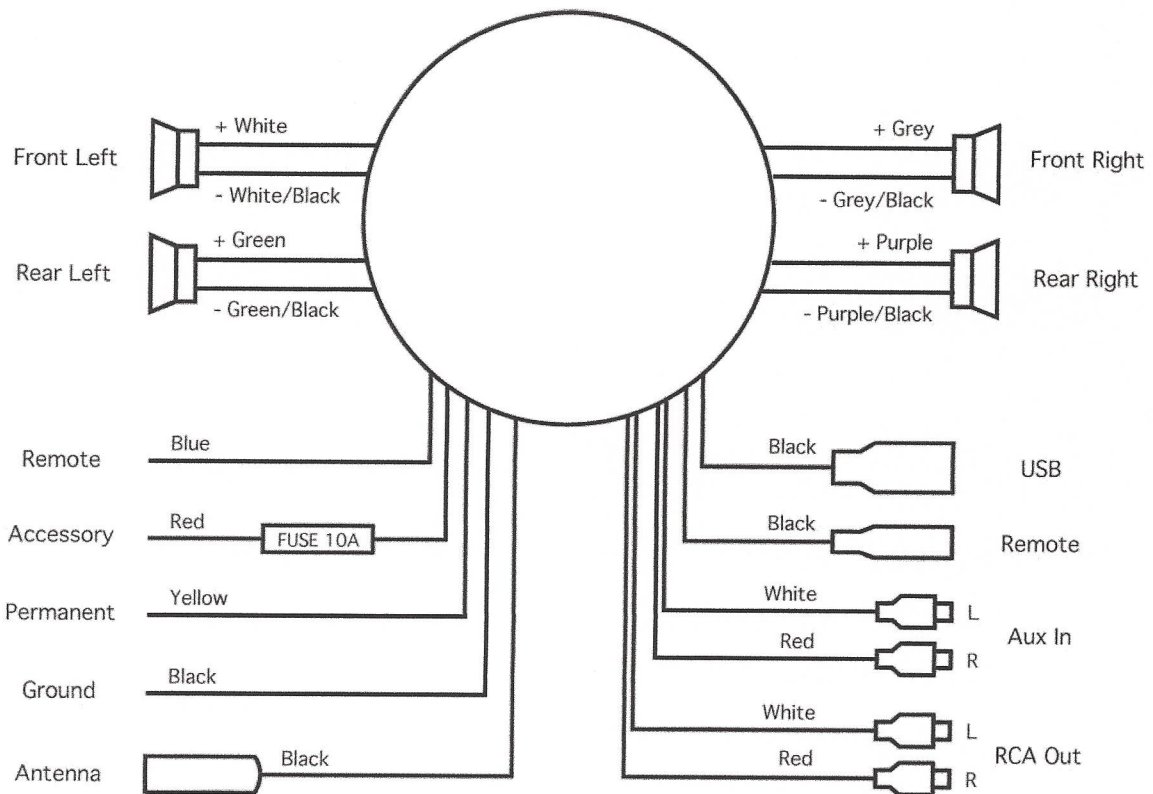
## Installation Procedure

Select a suitable mounting location ensuring enough room and depth for the unit to install correctly.

Drill the correct size hole for the rear of the unit to fit through.

Locate the unit and bolt on the mounting bracket from behind. If the mounting surface is particularly deep the mounting bracket can be snapped off at the breakaway segments.

The connections available from the rear of the | are outlined on page 10.



Connections to the various speaker and power wires should be soldered or crimped. They should be shrink wrapped to ensure protection from water damage.

The DAB/FM antenna connected to the antenna plug requires a male DIN antenna plug.

The USB connection is for USB sticks only. Connection to media devices should be done via Bluetooth or the auxiliary input.

The 3.5mm jack remote connection allows for the addition of a wired remote (sold separately).

The auxiliary input allows for the connection of a pair of RCAs to the auxiliary input. An adaptor (sold separately) can be used to allow for devices with a 3.5mm jack plug to be used instead.

The stereo produces 4 channels of audio through each of its 4 channels. The RCA output from this unit can connect to the input section of an additional amplifier if desired.