

BLUE SEA SYSTEMS

Marine Electrical Products

Mini OLED DC Ammeter

PN 1732

Monitors DC current on a bright, waterproof, daylight readable screen

Features

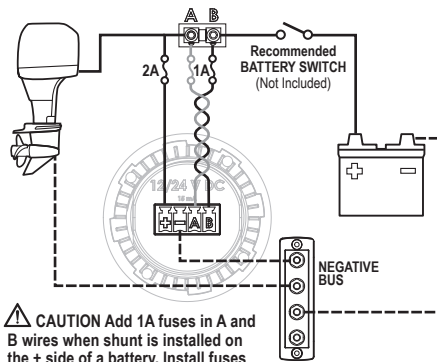
- Monitors current from -100A to +100A
- Measures current on the positive or negative side
- Reverse polarity protected
- Mounts in a common 1-1/8" (29mm) hole

Specifications

Nominal Voltage	12V / 24V DC
Voltage Range	8V-36V DC
Max. Operating Current	15mA
Resolution	0.1A
Accuracy	+/- 2%
Cutout Dimensions	1-1/8" (29mm) dia.
Shunt (included)	1x 9230 (100A/50mV)
Intermittent: 5 min.	110A
Cranking: 30 sec.	175A

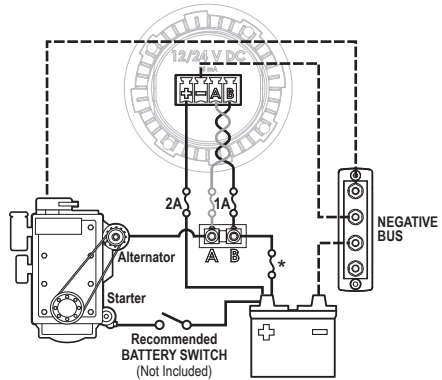
Monitor Outboard Alternator

Verify cranking ratings



CAUTION Add 1A fuses in A and B wires when shunt is installed on the + side of a battery. Install fuses within 7" of shunt per ABYC

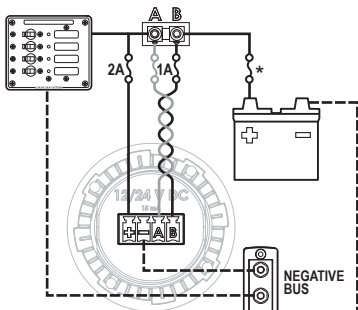
Monitor Inboard Alternator



CAUTION Add 1A fuses in A and B wires when shunt is installed on the + side of a battery. Install fuses within 7" of shunt per ABYC

* See circuitwizard.bluesea.com to determine fuse rating.

Monitor House Loads

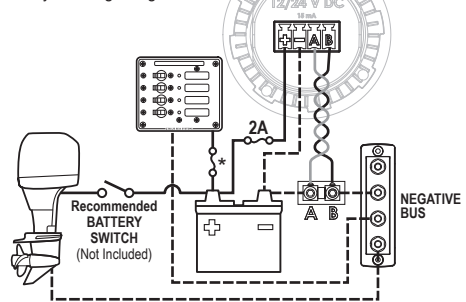


CAUTION Add 1A fuses in A and B wires when shunt is installed on the + side of a battery. Install fuses within 7" of shunt per ABYC

* See circuitwizard.bluesea.com to determine fuse rating.

Monitor System Amperage

Verify cranking ratings



* See circuitwizard.bluesea.com to determine fuse rating.

LEGEND
 Positive ———
 Negative - - - -
 Fuse ○-○

Blue Sea Systems
 425 Sequoia Drive
 Bellingham, WA 98226 USA
 p 360.738.8230
conductor@bluesea.com