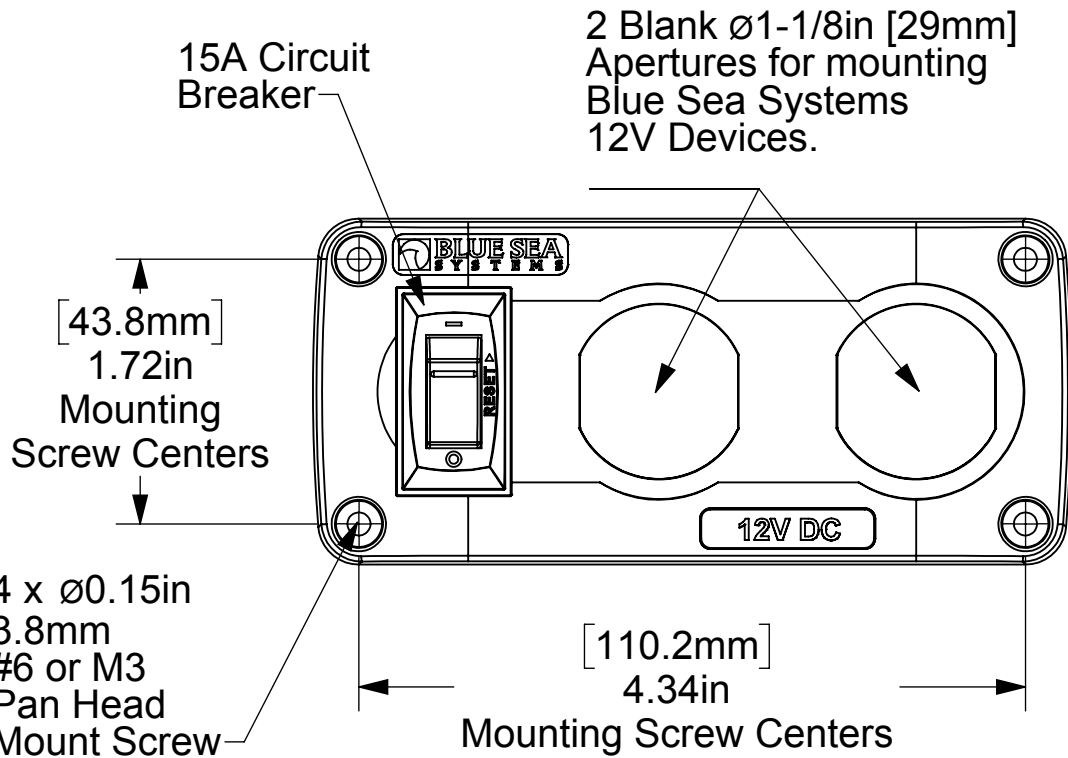
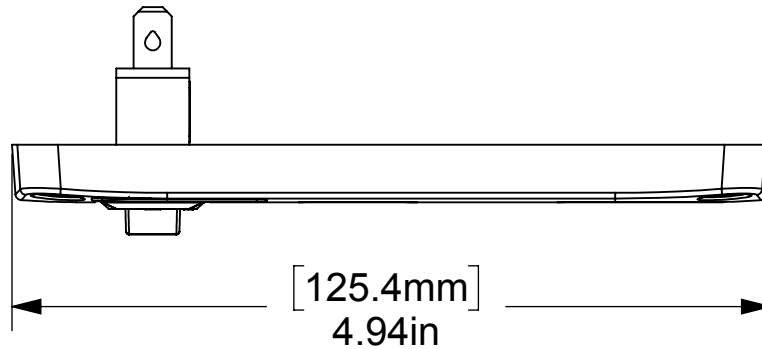
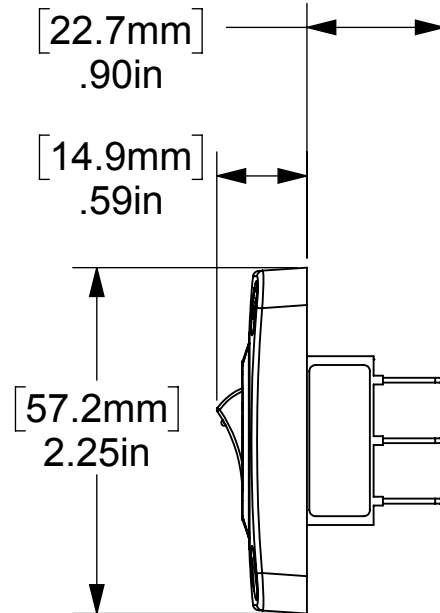


THIS DRAWING AND THE INFORMATION CONTAINED WITHIN IT ARE CONFIDENTIAL AND MAY NOT BE COPIED OR DISCLOSED WITHOUT THE WRITTEN PERMISSION OF BLUE SEA SYSTEMS.

Note 1: Behind panel depth is dependant on which devices are installed. Max 3in [76mm]



See Note 1



THIRD ANGLE PROJECTION



**BLUE SEA**  
SYSTEMS

425 Sequoia Drive Bellingham, WA 98226  
Phone (360)738-8230 Fax (360)734-4195

4354 - BelowDeck™ Panel  
15A Circuit Breaker, 2x Blank Apertures

SIZE A	DWG. NO. 4354 - Dimension Drawing	REV. 0A
SCALE 1:1.25 WEIGHT: --		SHEET 1 OF 1