

Barbecue

Model	PCRBAR352
Cooking areas / heating elements	1
	AC 230 VAC 50/60 Hz Single phase
Heating output MAX W	1500 W
MAX Amp	6,60 A

Dear Customer,

Thank you for having purchased and given your preference to our product. The safety precautions and recommendations reported below are for your own safety and that of others. They will also provide a means by which to make full use of the features offered by your appliance.

Please preserve this booklet carefully. It may be useful in future, either to yourself or to others in the event that doubts should arise relating to its operation.

This appliance must be used only for the task it has explicitly been designed for, that is for cooking foodstuffs. Any other form of usage is to be considered as inappropriate and therefore dangerous.

The manufacturer declines all responsibility in the event of damage caused by improper, incorrect or illogical use of the appliance.

IMPORTANT PRECAUTIONS AND RECOMMENDATIONS

✳ *After having unpacked the appliance, check to ensure that it is not damaged. If you have any doubts, do not use it and consult your supplier or a professionally qualified technician.*

For your safety: Damaged appliances must not be operated. The appliance must only be connected by an authorised specialist, paying attention to the relevant regulations of the power supply companies and the regional construction regulations.

✳ *For best use of these appliances, read the instructions for use carefully and keep them in a safe place.*

✳ *These appliances must only be used for the purpose for which they were designed, i.e. for cooking foods. Any other use should be considered incorrect and therefore dangerous.*

✳ *Packing elements (i.e. plastic bags, polystyrene foam, nails, packing straps, etc.) should not be left around within easy reach of children, as these may cause serious injuries.*

✳ *Do not attempt to modify the technical characteristics of the appliance as this may become dangerous to use.*

✳ *The manufacturer cannot be considered responsible for damage caused by unreasonable, incorrect or rash use of the appliance.*

✳ *The cooktop has been manufactured with recyclable material. Dispose of it following the local regulations for the disposal of waste. Before disposing of it make it unusable by cutting off the supply cable.*

✳ *The appliance should be installed and all the electrical connection made by a qualified engineer in compliance with local regulations in force and following the manufacturer's instructions.*

Only ever operate the appliance under supervision.

Observe caution with oils and fats. They may overheat and burn easily.

IMPORTANT PRECAUTIONS AND RECOMMENDATIONS FOR USE OF ELECTRICAL APPLIANCES

Use of any electrical appliance implies the necessity to follow a series of fundamental rules. In particular:

✳ *Never touch the appliance with wet hands or feet;*

✳ *do not operate the appliance barefooted;*

✱ *do not allow children or disabled people to use the appliance without your supervision. The manufacturer cannot be held responsible for any damages caused by improper, incorrect or unreasonable use of the appliance.*

TIPS FOR THE USER

- ✱ *During and after use of the cooktop, certain parts will become very hot. Do not touch hot parts.*
- ✱ *Keep children away from the cooking hob when it is in use.*
- ✱ *Before any cleaning or maintenance, switch off the electricity to the cooktop. Risk of fire!*
- ✱ *Make sure that the electrical cables of other appliances installed nearby cannot come into contact with the cooktop.*
- ✱ *Keep children away from the cooking hob when it is in use.*
- ✱ *When using the barbecue, the extractor hood should be switched on or a window opened.*

– This appliance has been designed to be used only for cooking. Any other use (such as heating a room) is improper and dangerous.

WARNING

The barbecue and the adjacent surfaces become very hot during use and also there might be splashes of boiling oil. Keep children away and be careful of oil splashes.

FEATURES

The unit features three separately switchable grilling elements. So, you have a possibility of grilling separate foodstuffs with differing temperature requirements at the same time. You can also save energy with smaller or small numbers of grilled pieces.

The appliances are equipped with following accessories:

1. Cooking grid
2. N° 1 tilting element
3. Tray (under the heating element)
4. Frame for building in the product
5. Holes for fixing the appliance to the installation cabinet
6. Control knob

BARBECUE FEATURES

- This appliance grills meat and fish without fat and oil.
- Under the heating element there is a tray.
- All the parts, grill, tray can be removed for cleaning.

USING THE BARBECUE FOR THE FIRST TIME

- Remove the adhesive film which protects certain parts.
- Carefully remove all the glue residues without using abrasive substances, to avoid scratching the surfaces.
- Wash and dry the grill carefully (better if in the dishwasher).
- Raise the heating element, make sure that the tray is positioned correctly.
- Lower the heating element and put the grill on top.
- Switch the barbecue on by turning the energy regulator knob to the maximum position (6) (attention: on some models the maximum setting could have a higher number) for about 15 minutes to remove the fatty working residues
- Your barbecue is equipped with 1 or more control knobs (according to model), each one controlling one of the heating elements

USING THE BARBECUE

- Before cooking, check that the removable parts are in their correct position (tray, heating element completely lowered, grill in position).
- Switch on the barbecue by turning the knob to the maximum setting .
- The indicator light if present shows that the barbecue is ON.
- Preheat for about 5 minutes.
- Turn the knob of the cooking element chosen to cook to the position desired. The numbers indicate the operating positions with temperature increasing with the number.
- Put the food on the grill and check the cooking.
- To switch the barbecue off turn the knob to position "0".

- When using the barbecue, the extractor hood should be switched on or a window opened.

TIPS FOR GRILLING

Preheat for about 5 minutes.

Do not pour water onto the hot or working barbecue.

Notes:

- Dry moist food well.
- The moister the food is, the more smoke may be produced!
- During grilling, dripping fat may flare up briefly.

WARNING The barbecue becomes very hot during use. Keep children away.

Return the control knobs to "0" after grilling.

CLEANING THE BARBECUE

- Before cleaning the barbecue switch it off.
- When cleaning, the appliance must always be cold.

Please thoroughly clean the appliance before operating it for the first time.

Clean the grill after every use. By doing so, you avoid baking in of residues. After residues have baked in several times, they are then difficult to remove. Wait until the appliance has cooled down completely before cleaning it.

- Clean the outside with a cloth wetted with hot water and soap or water and liquid detergent. To make cleaning operations easier remove the grill.
- Stainless steel surfaces can be cleaned with special products available on the market.
- Do not use steel pads or products which are abrasive, corrosive or chlorine based.
- Do not leave acid or alkaline substances (vinegar, salt, lemon juice etc.) on the barbecue surfaces.
- The grill can be washed in the sink, but they are better washed in the dishwasher.
- After each cooking empty the residual fats from the tray and wash it carefully. This is to prevent unpleasant smells during cooking.
- Clean the heating elements very carefully using a dry cloth or a cloth damped just with water.
- Be very careful that no water penetrates inside the appliance.

Do not use steam jet cleaners because the humidity could infiltrate into the appliance making it dangerous.

The control panel must not be cleaned with stainless steel cleaner as this may be aggressive to the inscriptions. Use a moist cloth and light rinsing detergent to clean it and wipe it dry with a soft dry cloth.

Do not clean the appliance with a steam cleaning apparatus or with water pressure because this poses a risk of short-circuits.

Isolate the appliance from the mains during every maintenance operation. To do this, remove the mains plug or actuate the corresponding fuse.

DANGER! WATER MUST NEVER ENTER THE INNER PARTS OF THE BARBECUE WHERE ELECTRICAL COMPONENTS ARE PLACED!

Never leave the barbecue exposed to rain and water in general.

When the barbecue is not in use it must be protected carefully.

Do not store any substances that are sensitive to high temperatures, or which pose a fire hazard (e.g. cleaning agents or spray cans), in drawers or cupboards under the appliance. grilled food and juice cannot leak.

Tips and tricks

- The grilled result depends on the nature and quality of the meat and on your personal taste.
- As far as possible, grilled pieces should be equally thick. In this way, they will brown evenly and they will stay nice and juicy.
- Always preheat the grill. In this way, the intensive heat radiation will seal the surface of the grilled food and juice cannot leak.
- Place grilled pieces directly on the gridiron. If there is only piece for grilling, place it on the gridiron, as far as possible in the middle, over the switched-on heating element. That is the best to do it. Turn grilled pieces over as soon as they can be removed easily from the grill. The pores have now been sealed.
- Always grill steaks unsalted. Otherwise, water and soluble nutrients might leak and be lost.
- Avoid pickled foods such as boiled ham and smoked pork etc. as otherwise a compound may be produced that is harmful to health.
- To avoid drying out of the surface and to improve the taste, lightly brush grilled food with heatresistant oil (e.g. peanut oil). Make sure you do not use too much oil as otherwise there will be a risk of fire.
- You might notice that the grilling element switches on and off automatically during the grilling time. This is normal.
- Poultry becomes particularly crispy brown if you coat it with butter, salty water or orange juice towards the end of the cooking time.
- Serve grilled food hot.
- Grilled food will go tough if you keep it warm.

- Meat is medium if juice leaks out of the surface of a steak (pink inside and crispy brown on the outside).

- Do not pierce the meat while grilling it. It may lose its juice. Turn the meat when small drips can be seen on its surface.

- Do not remove the fatty layer (e.g. on a cutlet) until after grilling as otherwise the meat will lose juice and aroma.

Would you have known?

Advantages of grilling

No or little fat is used when grilling. Therefore, it is a low-fat preparation method.

Grilling is a gentle cooking method in which nutrients, taste and aroma substances are largely retained. Grilled foodstuffs are easy on the stomach because they are prepared without fat and sauces.

During grilling, intensive browning appears on the surface of foodstuffs, but no crust, with the result that grilled foods are easy to digest and are suitable for diets.

Technical informations for the installer

Important notes on assembly

- The installing technician is responsible for perfect functioning of the appliance at its installation location. He must explain the operating principle of the appliance to the user with reference to the operating instructions. He must draw the user's attention as to how to isolate the appliance from the mains whenever necessary.

- Any damage caused by failure to observe these instructions cannot be recognised.

- If, after installation, not all poles of the appliance can be isolated from the mains by removing a plug, an isolating device with a contact gap of at least 3 mm (e.g. a fuse) must be permanently installed.

IMPORTANT: Install the appliances following the manufacturer's instructions.

Incorrect installation can cause damage to people, animals or things, for which the manufacturer cannot be held responsible.

ELECTRICAL PART

- ✱ The appliance must be connected to the mains by a competent electrician and according to the regulations in force.
- ✱ The appliance must be connected to the mains checking first of all that the voltage corresponds to the value given on the rating plate and that the section of the electrical cables can take the load indicated on the rating plate.
- ✱ Fit a standard plug which is suitable for the power absorbed by the appliance and in conformity with the local rules in force.
- ✱ The plug must be put into a socket connected to the earth system in compliance with safety rules.
- ✱ The connection can be made directly to the mains by putting an all-pole switch with minimum opening between the contacts of 3 mm between the appliance and the mains.
- ✱ The supply cable must not touch hot parts and must be so positioned that it does not exceed the temperature of 50°C at any point.
- ✱ When the appliance is installed the switch or socket must always be accessible.
- ✱ The appliance must have its own supply; any other appliances installed near it must be supplied separately.

N.B. For connection to the mains do not use adapters reductions or shunts because these can cause overheating or burning.

If the installation requires modifications to the domestic electrical system or if the socket and the appliance plug are not compatible, contact a professional electrician.

He must, in particular, also make sure that the section of the socket cables is suitable for the power absorbed by the appliance.

The appliance must be connected to the earth. The manufacturer declines all responsibility for any problem caused by failure to observe this instruction.

TECHNICAL INFORMATION FOR THE INSTALLER

This cooktop can be built into a working surface 30 to 40 mm thick .

Mount an extractor hood above these appliances to remove fumes and smells produced during operation.

To fit the cooktop into the unit make an opening of the dimensions given in the figure, remembering that:

– inside the unit there must be a space of at least 400 mm between the bottom of the cooktop and the top of an appliance or bracket.

The distance from the bottom edge of the appliance tub to the next item of furnishing must be at least 400 mm.

– any wall to the side and above the cooktop must be at least 400 mm away.

– the wall behind the cooktop must be at least 400 mm away.

– when there is a wall unit or hood above the cooktop there must be at least 750 mm between the cooktop and the unit or hood.

– the coatings of the walls of the unit or appliances near the cooktop must be heat resistant:

– **Do not install the cooktop near inflammable materials (e.g. curtains).**

THE APPLIANCE MUST BE INSTALLED AS FAR AS POSSIBLE FROM INFLAMMABLE MATERIALS AND PRODUCTS.

The mains connecting cable must be in accordance with the current regulations . You are advised to install a socket outlet earthed in accordance with regulations approximately 70 cm above the floor behind the appliance. This must still be accessible after installation. When the appliance is connected to an outlet box, an isolating device with a contact gap of at least 3 mm (e.g. a circuit-breaker or a fuse) must be included in the installation.

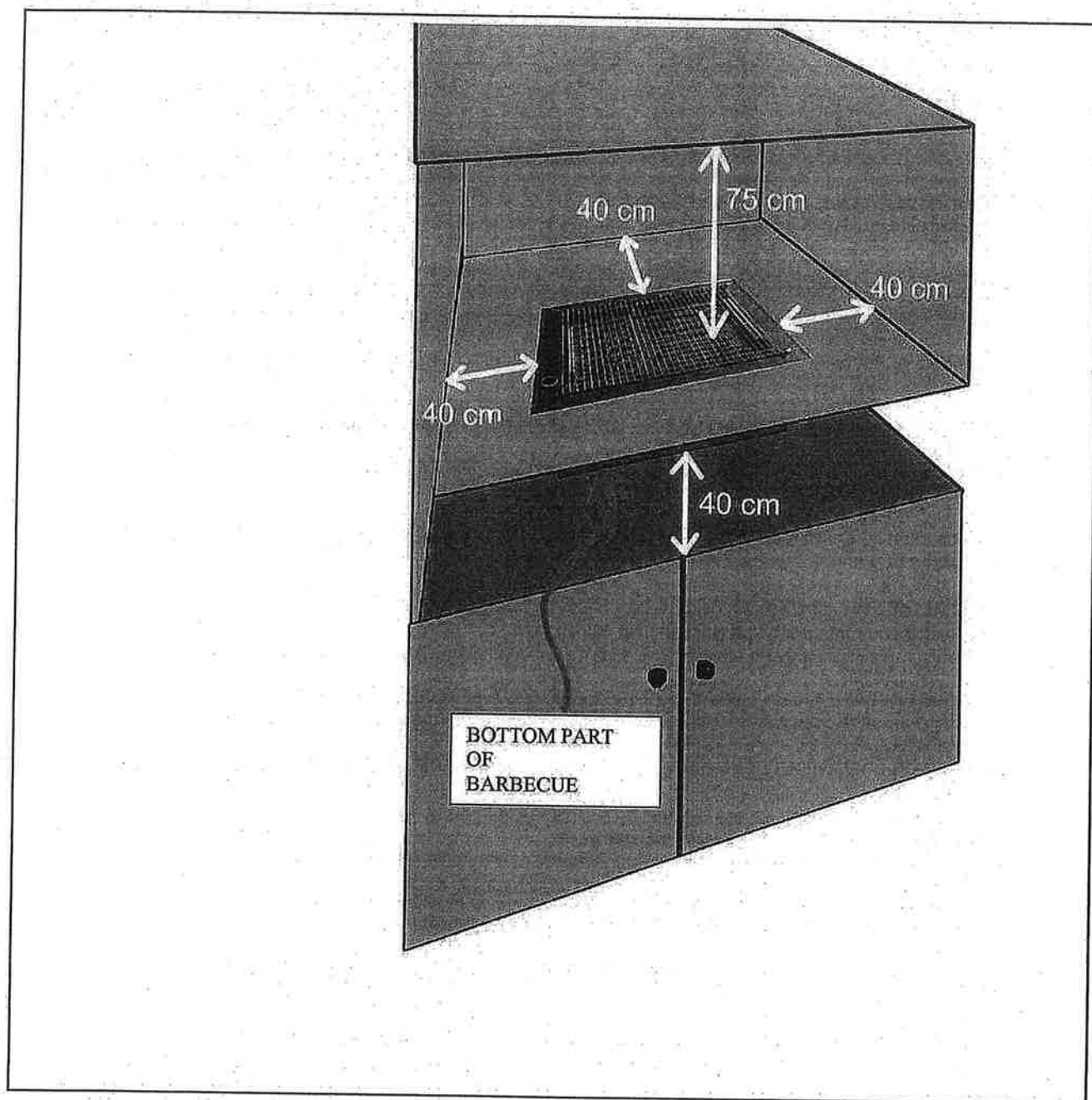
FASTENING THE APPLIANCES

Each appliance is supplied with a set of tabs and screws to fasten it on units or with holes for fixing it with screws. Put the cooktop into the hole cut into the unit and position it correctly.

Note:

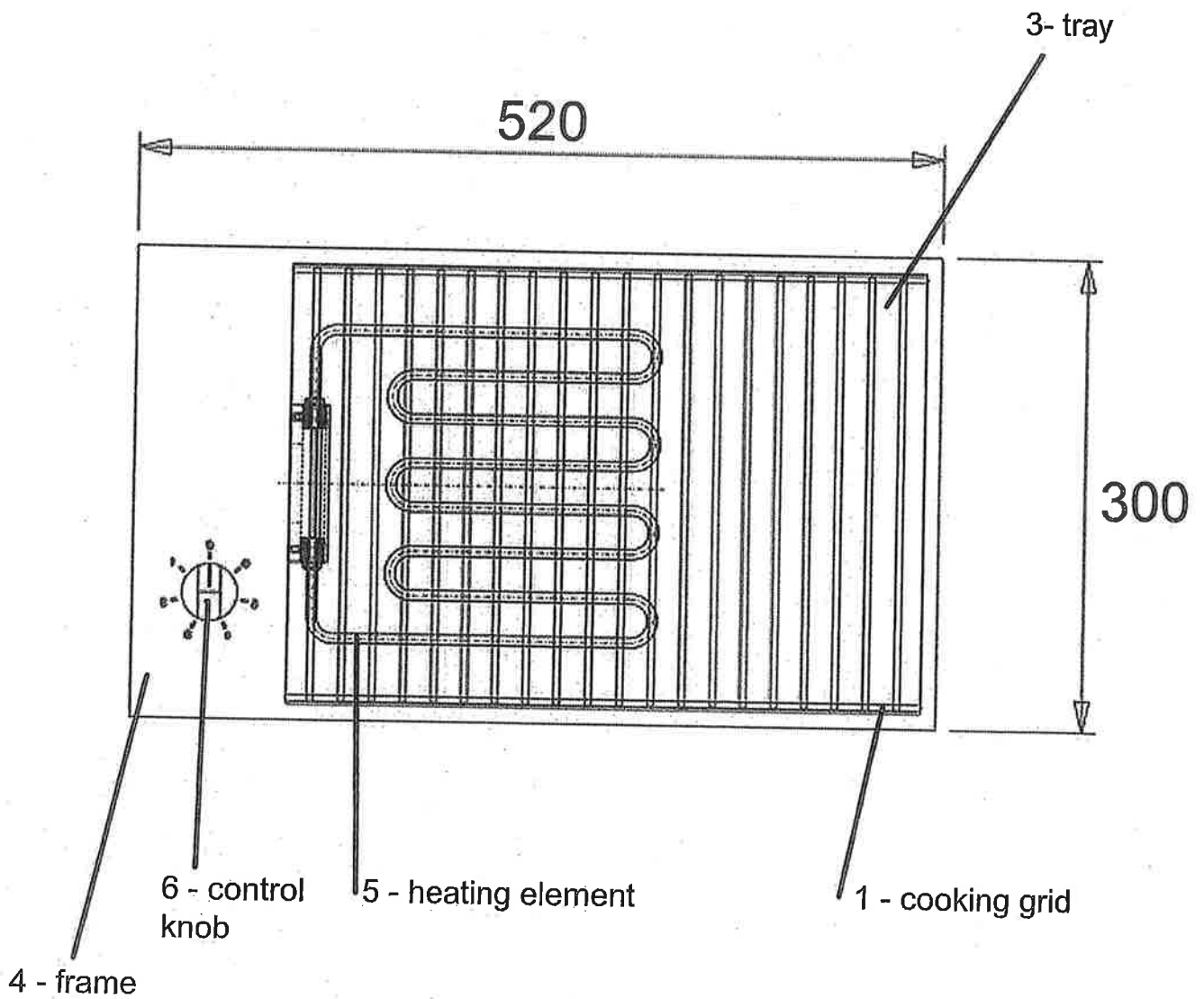
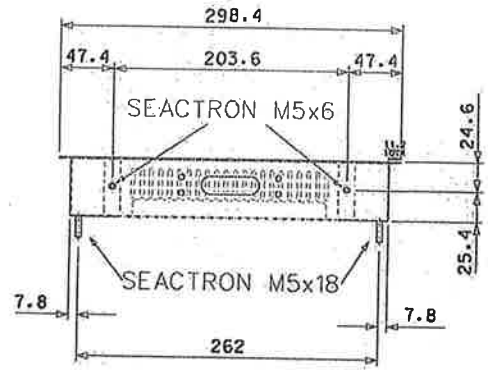
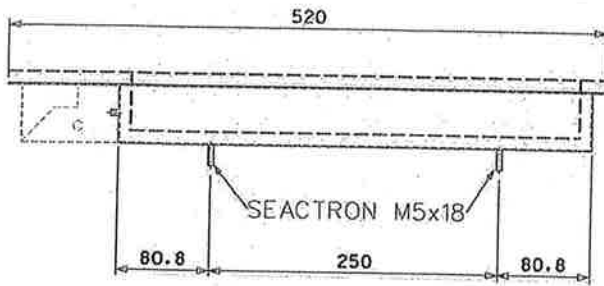
If you have fitted the appliance optional cover on the appliance, it must not be closed until the appliance has cooled down completely. Do not operate the appliance with the optional cover closed! Heat development may damage the appliance and the cover. Do not use the appliance cover as a surface for placing objects or for keeping things warm.

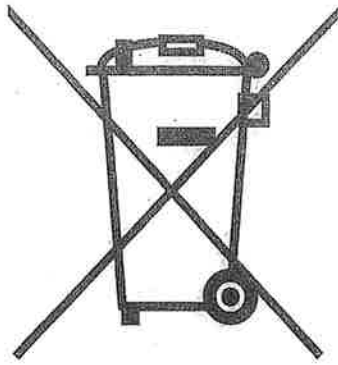
Min distances of items of furnishing



CE







English

In compliance with item 13 as by law enacted on July 25, 2005, no.15 "Fulfilment of EU directives 2002/95/CE, 2002/96/CE, and 2003/108/CE regarding reduction in the use of dangerous materials on both electric and electronic equipment, as well as disposal of waste products".

The symbol of crossed rubbish skip on the machine shows that at the end of its life the product must be collected separately from the other waste products. Therefore, the end user shall deliver the machine to proper collection centres of electronic and electrotechnical waste products, or return it to the seller when purchasing a new machine of similar type (1 to 1).

Proper recyclable waste collection of waste products to be sent on to recycling, processing and disposal in compliance with environment requirements helps avoiding any possible negative repercussions on environment and health as well as recycling of materials of which the machine consists.

Any incorrect disposal of waste products by the end user involves administrative sanctions as per law No.22/1997 (item 50 and subsequent ref. law no.22/1997).

Français

Conformément à l'art.13 du décret-loi du 26. Juillet 2005, n.15 « Exécution des Directives 2002/95/CE, 2002/96/CE et 2003/108/CE , concernant la réduction de l'usage des matériaux dangereux dans les appareils électriques et électroniques, ainsi que le traitement des déchets ».

Le symbole du conteneur barré sur l'appareil indique que le produit, à la fin de sa vie, devra être rassemblé séparément des autres déchets. Par conséquent, l'utilisateur devra livrer cet appareil aux centres de collecte sélective des déchets électriques et électroniques, ou bien le rendre au revendeur quand il achète un nouvel appareil similaire (1 à 1).

La collecte sélective des déchets et leur envoi successif au recyclage et traitement pour la protection de l'environnement contribue à éviter des répercussions négatives sur l'environnement et la santé et facilite le recyclage des matériaux dont l'appareil est constitué.

Un traitement incorrect du produit de la part de l'utilisateur comporte l'application des sanctions administratives conformément au décret-loi n.22/1997 (art.50 et successifs du d.l. n.22/1997).

Deutsch

In Abstimmung mit Absatz 13 durch Gesetz vom 25. July, 2005 Nr 15 "Erfüllung von EU Vorgaben 2002/95/CE, 2002/96/CE und 2003/108/CE betreffend der Reduktion durch die Vermeidung gefährlichen Materials an elektrischen und elektronischen Teilen und deren Abfallentsorgung".

Das Symbol des durchgestrichenen Müllbehälters zeigt an dass Produkt am Ende seiner Lebensdauer separat gesammelt und entsorgt werden muss. Dazu muss der Endverbraucher die Maschine zu autorisierten Entsorgerunternehmen bringen oder zum Verkäufer retournieren beim Kauf eines ähnlichen Neugerätes. (1 zu 1)

Gute Sammlung recyclingfähigen Abfalls in Verbindung mit Recycling, und Entsorgung in Abstimmung mit den Umweltbestimmungen hilft negative Umwelt und Gesundheitsbeeinflussung zu vermeiden.

Jede unkorrekte Entsorgung von Abfallmaterial durch Endverbraucher verursacht administrative Sanktionen laut Gesetz Nr 22/1997 (Abs. 50 unterstützt durch Gesetz Nr 22/1997)

Italiano

Ai sensi dell'art. 13 del decreto legislativo 25 luglio 2005, n° 15 "Attuazione delle Direttive 2002/95/CE, 2002/96/CE e 2003/108/CE, relative alla riduzione dell'uso di sostanze pericolose nelle apparecchiature elettriche ed elettroniche, nonché dello smaltimento rifiuti".

Il simbolo del cassonetto barrato riportato sull'apparecchiatura indica che il prodotto alla fine della propria vita deve essere raccolto separatamente dagli altri rifiuti. L'utente dovrà, pertanto, conferire l'apparecchiatura giunta a fine vita agli idonei centri di raccolta differenziata dei rifiuti elettronici ed elettrotecnici, oppure riconsegnarla al rivenditore al momento dell'acquisto di una nuova apparecchiatura di tipo equivalente, in ragione di uno a uno.

L'adeguata raccolta differenziata per l'avvio successivo dell'apparecchiatura dimessa al riciclaggio, al trattamento e allo smaltimento ambientale compatibile contribuisce ad evitare possibili effetti negativi sull'ambiente e sulla salute e favorisce il riciclo dei materiali di cui è composta l'apparecchiatura.

Lo smaltimento abusivo del prodotto da parte dell'utente comporta l'applicazione delle sanzioni amministrative di cui al dlgs. n° 22/1997 (art. 50 e seguenti del dlgs. n° 22/1997).

Español

En el sentido del Artículo (Art.) 13 del Decreto Legislativo del 25 de Julio de 2005, nr.15 "Actuación de las Directivas 2002/95/CEE, 2002/96/CEE y 2003/108/CEE, relativas a la reducción del uso de sustancias peligrosas en los aparatos eléctricos y electrónicos, así como la eliminación de residuos".

El símbolo del contenedor barrado reportado sobre al aparato indica que el producto al final de su propia vida útil debe ser recogido separadamente de los otros residuos. El usuario deberá, por lo tanto, entregar el aparato que ha alcanzado el fin de vida a los centros idóneos de recolección diferenciada des residuos eléctricos y electrotécnicos, o reconsignarlo al revendedor al momento de la compra de un nuevo aparato de tipo equivalente, en razón de uno a uno.

La adecuada recolección diferenciada para el inicio sucesivo de los aparatos dirigidos al reciclado, al tratamiento y a la eliminación ambientalmente compatibles contribuye a evitar posibles efectos negativos al ambiente y a la salud y favorece el reciclado del material compositores del aparato.

La eliminación abusiva de los productos por parte de los usuarios conlleva a la aplicación de las sanciones administrativas entre ellas dlgs. n° 22/1997 (art. 50 y siguientes del dlgs. n° 22/1997).