

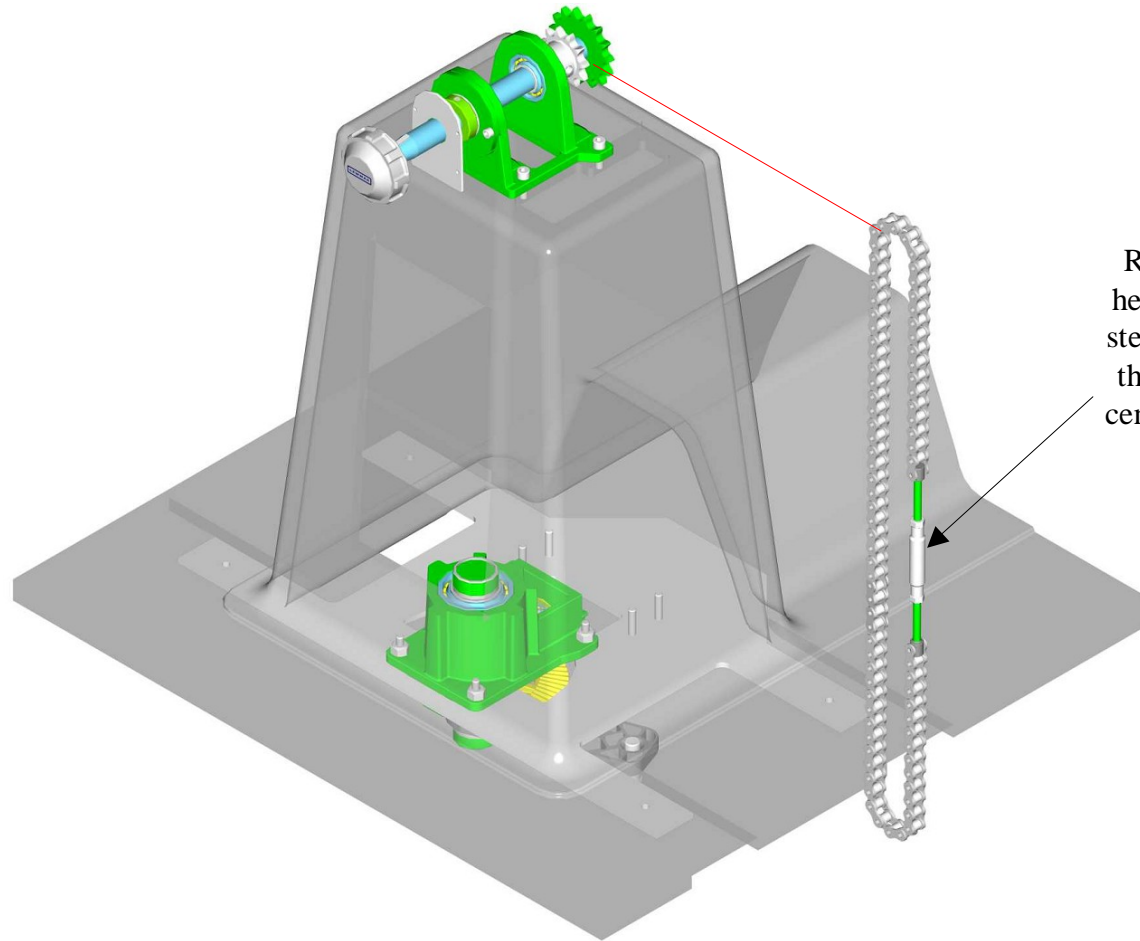
# Bavaria Integra Drive

- Lewmar has developed a unique and easy to install drive unit to suit the new range of Bavaria Cruisers 30, 33, 37, 39.
- The drive unit is compatible with all manufactures autopilot electronic systems.
- The Lewmar Integra drive requires no platform lamination, drilling, or machining to fit to the boat unlike competitors products, it is a complete kit that requires an easy 5 step operation to install as shown in the presentation pages attached.

**LEWMAR®**

[www.lewmar.com](http://www.lewmar.com)

## Step 1 – Disconnect Steering Chain

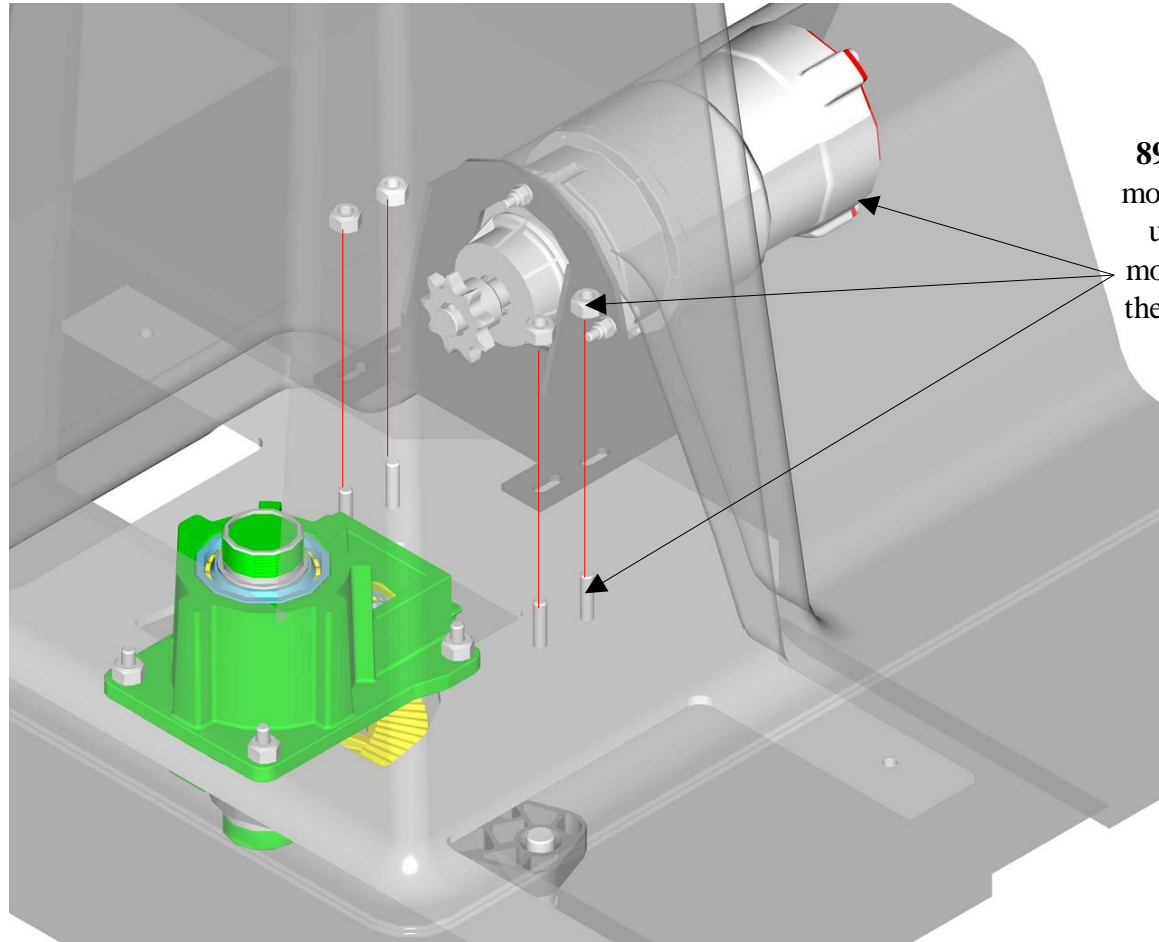


Remove control panel & pedestal head from console. Disconnect the steering chain by undo the 2 nuts on the chain tensioner, then rotate the central body clockwise. Remove the chain kit completely from the steering unit.

**LEWMAR®**

[www.lewmar.com](http://www.lewmar.com)

## Step 2 – Mount Integra Drive to Base Plate

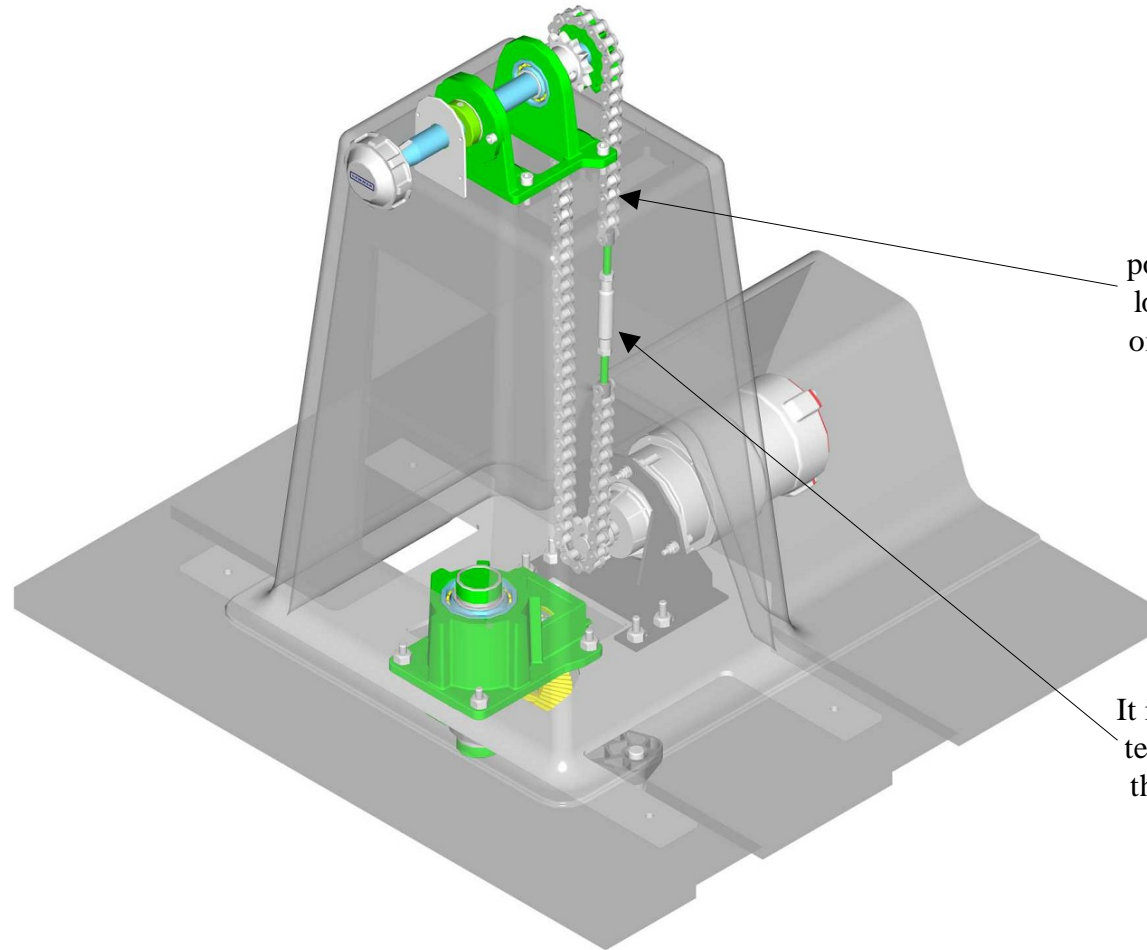


**89300111** – Integra drive kit with mounting bracket & chain kit. Line up the slots on the Integra drive mounting bracket with the studs on the base plate & secure lightly with 4 off M8 nuts.

**LEWMAR<sup>®</sup>**

[www.lewmar.com](http://www.lewmar.com)

### Step 3 – Integra Drive Chain Installation



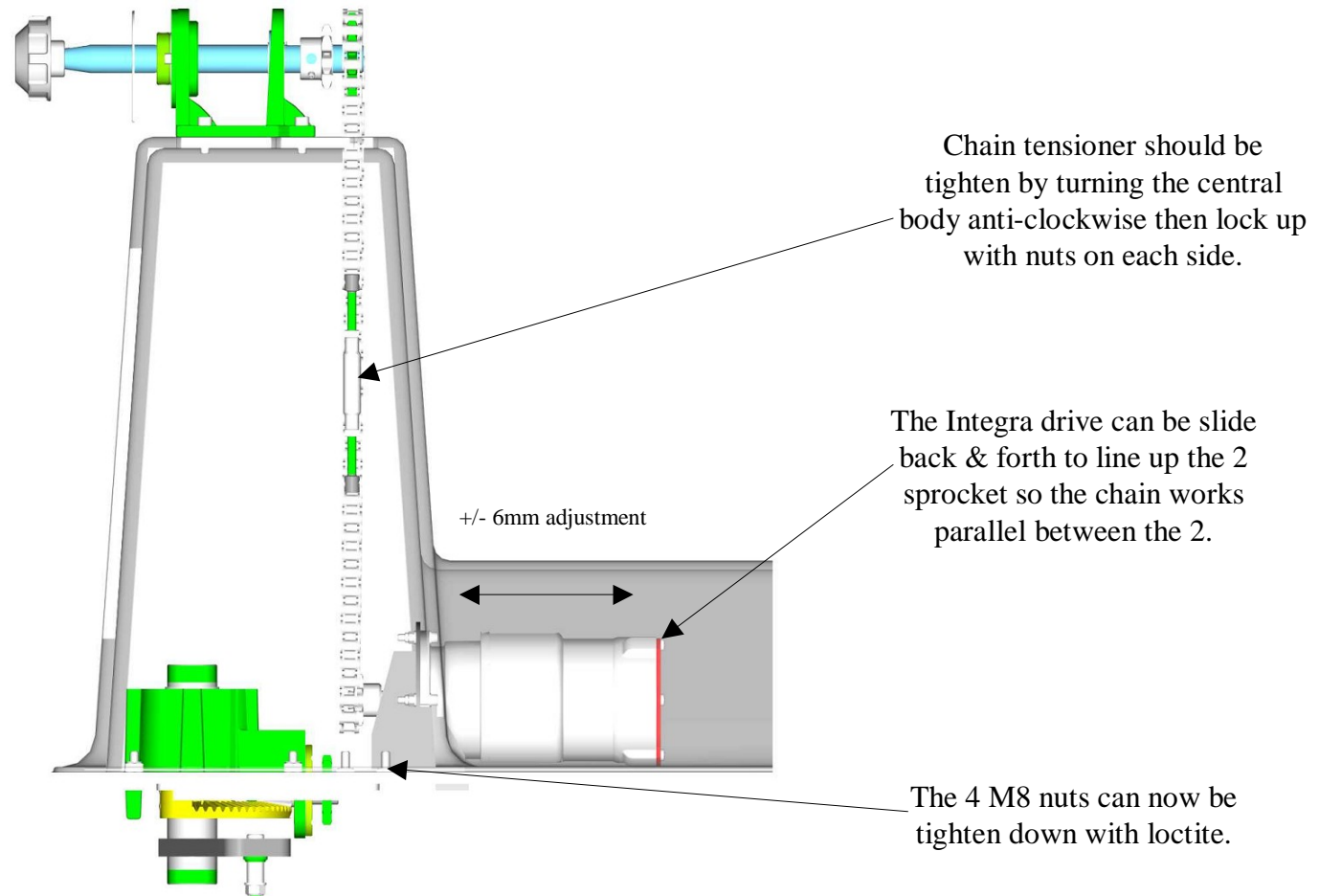
Ensure rudder is at mid-ship position. Assemble the chain by looping round the 15T sprocket on the steerer & the 9T sprocket on the Integra drive.

It is important to keep the chain tensioner at central position so there's equal amount of chain between the 2 sprockets.

**LEWMAR®**

[www.lewmar.com](http://www.lewmar.com)

## Step 4 – Integra Drive adjustment

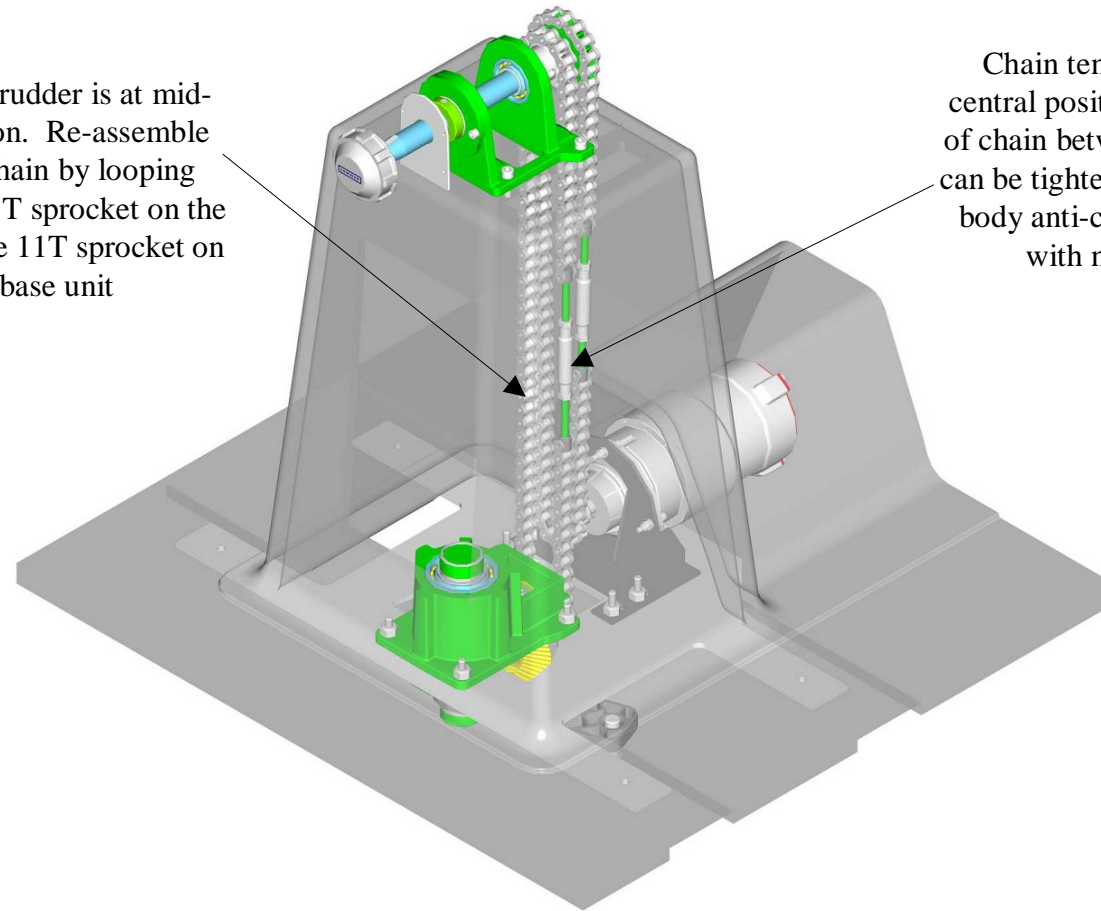


**LEWMAR®**

[www.lewmar.com](http://www.lewmar.com)

## Step 5 - Re-assemble Steering Chain

Ensure the rudder is at mid-ship position. Re-assemble steering chain by looping round the 11T sprocket on the steerer & the 11T sprocket on the base unit



Chain tensioner should sit at central position with equal amount of chain between the 2 sprockets. It can be tightened by turning the central body anti-clockwise then lock up with nuts on each side.

**LEWMAR®**

[www.lewmar.com](http://www.lewmar.com)