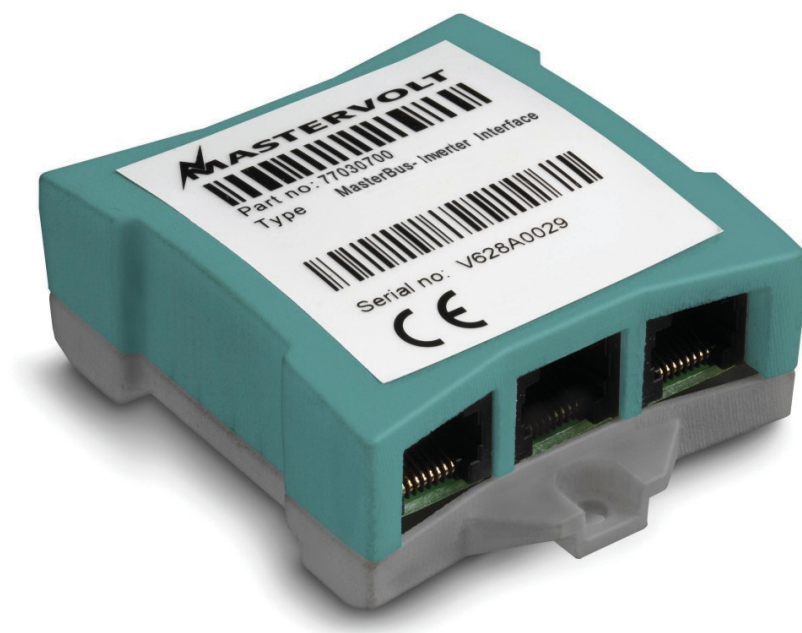




USER'S MANUAL

# MasterBus - Inverter Interface

Interface between inverter and MasterBus network



MASTERVOLT  
Snijdersbergweg 93,  
1105 AN Amsterdam  
The Netherlands  
Tel.: +31-20-3422100  
Fax.: +31-20-6971006  
[www.Mastervolt.com](http://www.Mastervolt.com)

ENGLISH:	PAGE 1
NEDERLANDS:	PAGINA 5
DEUTSCH:	SEITE 9
FRANÇAIS:	PAGINA 13
CASTÉLLANO:	PÁGINA 17
ITALIANO:	PÁGINA 21

v 1.1 June 2008

# 1 GENERAL INFORMATION

## 1.1 Use of this manual

This manual serves as a guideline for the safe and effective operation of the Inverter Interface.

Keep this manual at a secure place!

## 1.2 Guarantee specifications

Mastervolt guarantees that this product was built according to the legally applicable standards and stipulations. If you fail to act in accordance with the regulations, instructions and stipulations in this user's manual, damage can occur and/or the product will not fulfil the specifications. This may mean that the guarantee will become null and void.

**IMPORTANT:** Additional warranty agreements, like "Mastervolt system warranty" may contain restrictions which forbid resetting of historical data. The standard guarantee period is two years after date of purchase.

## 1.3 Liability

Mastervolt can accept no liability for:

- consequential damage due to use of the Inverter Interface;
- possible errors in the manuals and the results thereof;
- Use that is inconsistent with the purpose of the product.



**CAUTION!**  
Never remove the identification label.

# 2 OPERATION

The Inverter Interface operation is entirely MasterBus based. For information about MasterBus and the MasterBus event structure, see [www.mastervolt.com](http://www.mastervolt.com).

The table below shows the Inverter Interface MasterBus functions:

Monitoring	Description	Factory settings	Range
State	Interface can be switched On or Stand by	-	Stand by/ On/ Alarm*
Inverter	Change the state of the interface	Stand by	Stand by/ On
Configuration	Description	Factory settings	Range
Language	Set the Inverter Interface menu language	English	See specifications
Device name	Any name you wish with 12 characters max	INT inverter	12 characters max
Event 1 Source	Select an event in the Inverter interface Event list to serve as Source.	Disabled	Disabled, State, Failure mode
Event 1 Target	Select a device in your system to serve as a Target.	System dependent	System dependent
Event 1 Command	Select a command in the Target command list.	Target dependent	Target dependent
Event 1 Data	Select the way the Command should act on the Source	See MasterBus information	See MasterBus information
Event 2 - 9	See Event 1		

\* The alarm state cannot be selected. When the inverter is in alarm, it sends out a signal to the interface.

Described above are the events with the interface as Source. The Inverter Interface can serve as Target too. It can be switched On and Standby (State) in the configuration menu of another MasterBus device:

Configuration	Description	Factory settings	Range
Device Event Command	Select a command in the Inverter interface Command list	Disabled	Disabled, State

## 3 EXAMPLE

<b>Source</b>	<b>Target</b>	<b>Command</b>	<b>Command Data</b>
Inverter alarm	Multipurpose Contact	Activate	Copy

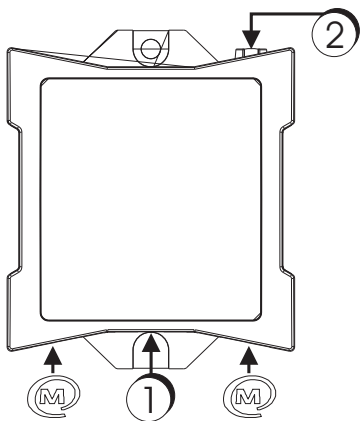
Where to configure: Inverter interface  
 Interface Alarm triggers: Buzzer

## 4 INSTALLATION

What you need:

- MasterBus-Inverter interface (included)
- MasterBus connection cable (included)
- RJ12 crossed wire (included)

Insert the MasterBus cables, then connect the inverter to input 1, figure below.



1. Input from inverter
2. Communication LED, illuminating when the inverter AND the Inverter Interface are switched ON.

MasterBus connector

Functions:

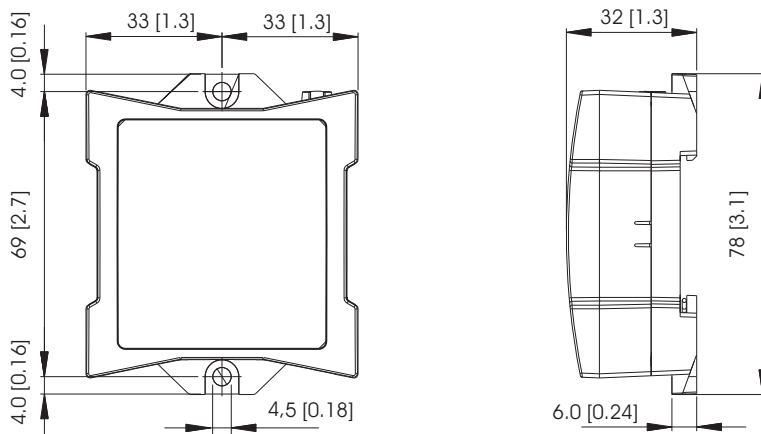
Switching the inverter On and Stand by.

Transferring inverter state and alarm information to MasterBus.

Overview and functional scheme of the Inverter Interface

## 5 SPECIFICATIONS

Model:	MasterBus - Inverter Interface
Article number:	77030700
Delivery also includes:	MasterBus cable, RS232 crossed wire, MasterBus Terminating device, User's manual
Function of instrument:	MasterBus controlled Inverter Interface
Compatible with:	Mass Sine 12/500,800,1200,2000, Mass Sine 24/800,1500,2500,5000,10kVA,15kVA
Languages available:	English,Nederlands,Deutsch,Français,Castellano,Italiano,Norsk,Svenska,Suomi,Dansk
Power consumption:	144 mW
MasterBus Powering:	No
Din rail mounting:	Yes, Din rail 30 mm [1.2 inch]
Protection degree:	IP 21
Dimensions:	66 x 78 x 32 mm [2.6 x 3.1 x 1.3 inch]; see drawing below
Weight	Approx. 80 gr [0.18 lb]



*Dimensions in mm [inch]*

## 6 EC DECLARATION OF CONFORMITY

This product is in conformity with the provision of the EC EMC directive 89/336/EEC and amendments 92/31/EEC, 93/68/EEC, standards applied:

generic emission standard:	EN 50081-1:1992,
generic Immunity standard:	EN 50082-1:1997,
safety directive 2006/95/EC,	with the following standard:
Low voltage standard:	EN 60950: 2000.

