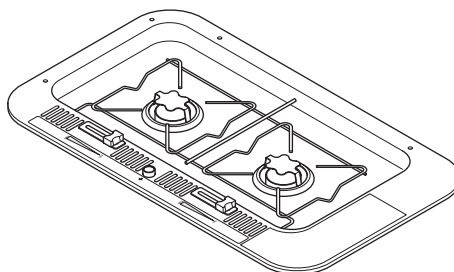


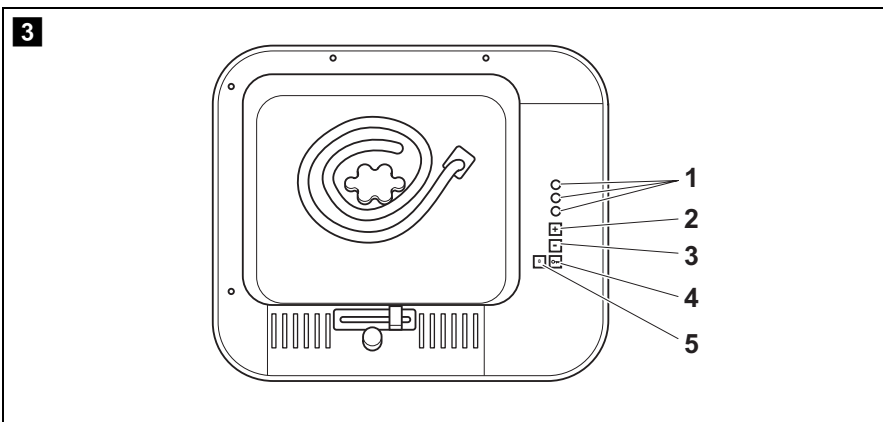
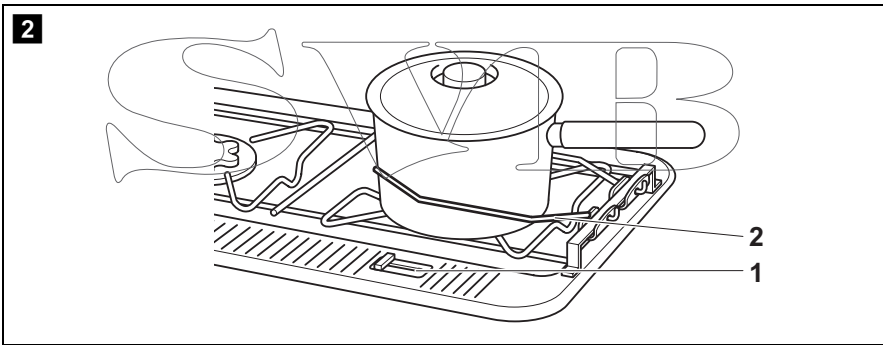
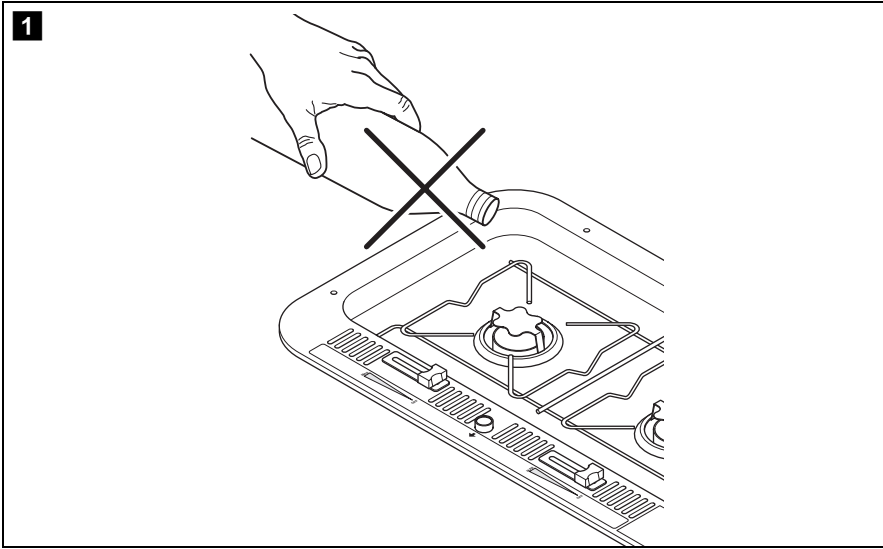


THE SIGN OF COMFORT

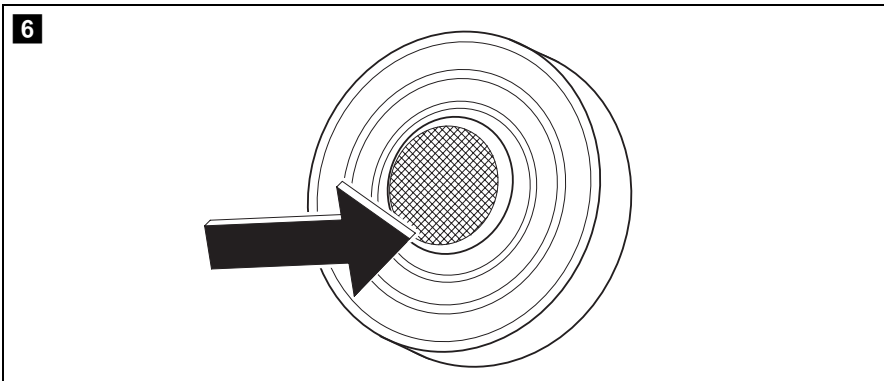
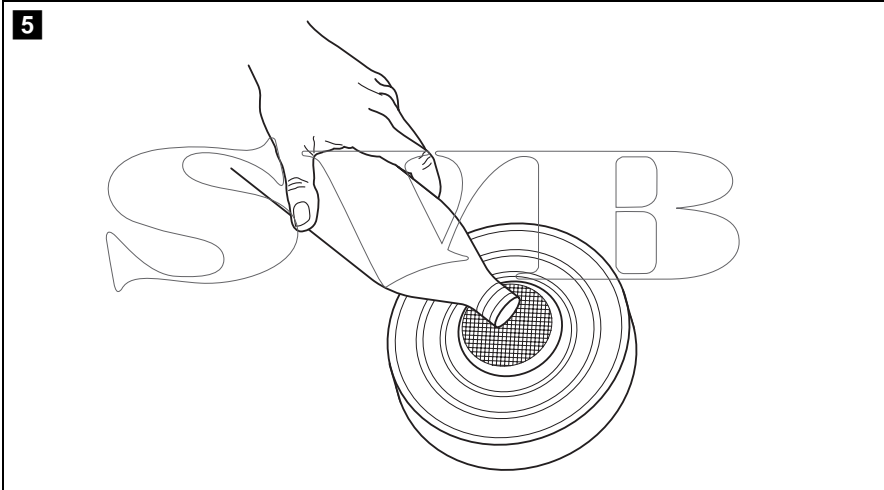
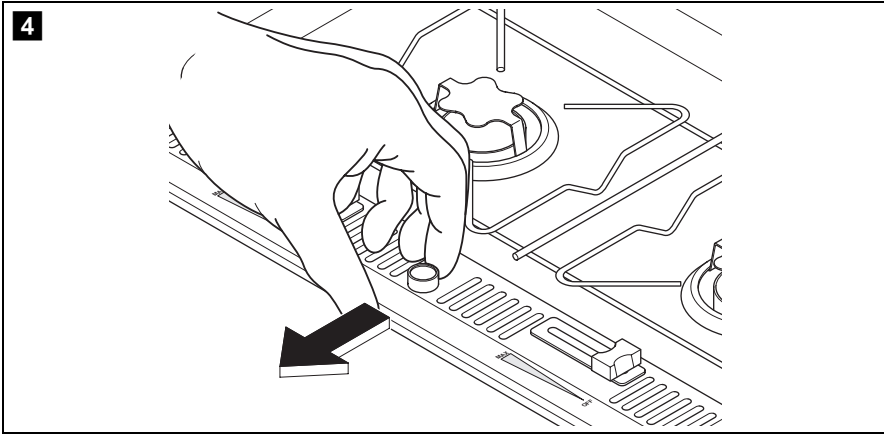
<b>EN</b>	<b>Alcohol and alcohol/electric stoves</b> Operating manual . . . . .	5
<b>DE</b>	<b>Spirituskocher und Spiritus-/ Elektrokocher</b> Bedienungsanleitung . . . . .	20
<b>FR</b>	<b>Cuisinières à alcool et à alcool/ électriques</b> Notice d'utilisation . . . . .	36
<b>ES</b>	<b>Hornillos de alcohol y de alcohol/ eléctricos</b> Instrucciones de uso . . . . .	52
<b>NL</b>	<b>Spiritus- en spiritus-/elektrische kooktoestellen</b> Gebruiksaanwijzing . . . . .	68
<b>IT</b>	<b>Fornelli ad alcool e alcool/elettrici</b> Istruzioni per l'uso . . . . .	84
<b>FI</b>	<b>Sprii- ja sprii-/sähkökeitin</b> Käyttöohje . . . . .	101
<b>SV</b>	<b>Spritzök och sprit-/elkök</b> Bruksanvisning . . . . .	116

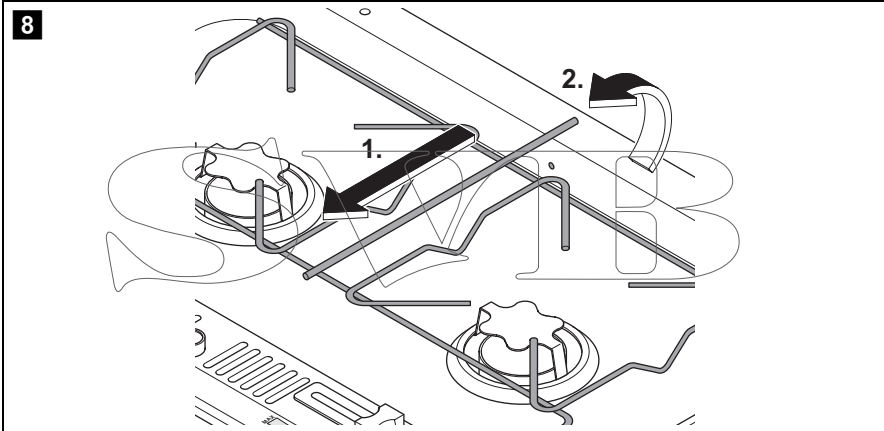
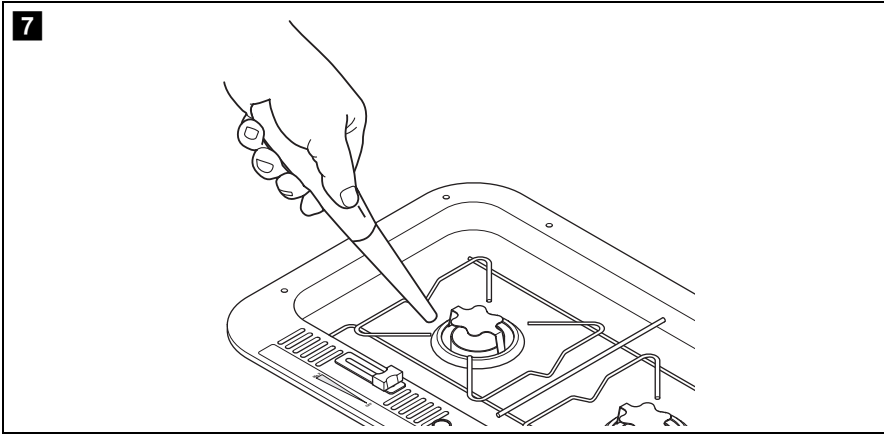


**ORIGO 2000**  
**ORIGO 2500**  
**ORIGO 4100**  
**ORIGO 4300**



## Dometic ORIGO





## Dometic ORIGO

---

**Please read this manual carefully before installing and starting up the device, and store it in a safe place. If the device is passed on to another person, this manual must also be handed over with it.**

### Table of contents

1	Notes on using the manual	6
2	General safety instructions	6
3	Scope of delivery	9
4	Accessories	9
5	Intended use	10
6	Technical description	10
7	Mounting the stove	12
8	Using the stove	14
9	Cleaning and maintaining the stove	17
10	Guarantee	18
11	Disposal	18
12	Technical data	19

# 1 Notes on using the manual



## Warning!

**Safety instruction:** failure to observe this instruction can cause material damage or personal injury.



## Caution!

**Safety instruction:** Failure to observe this instruction can cause material damage and impair the function of the device.



## Warning!

**Safety instruction** relating to a danger from an electrical current or voltage. Failure to observe this instruction can cause material damage or personal injury and impair the function of the device.



## Note

Supplementary information for operating the device.

► **Action:** This symbol indicates that action is required on your part. The required action is described step-by-step.

✓ This symbol describes the result of an action.

**fig. 1 5, page 3:** This refers to an element in an illustration. In this case, item 5 in figure 1 on page 3.

**Please observe the following safety instructions.**

## 2 General safety instructions

The manufacturer will not be held liable for claims for damage resulting from the following:

- Faulty assembly or connection
- Damage to the appliance resulting from mechanical influences and excess voltage
- Alterations to the device without express permission from the manufacturer
- Use for purposes other than those described in the operating manual

Please observe the following basic safety information when using electrical devices to protect against:

- Electric shock
- Fire hazards
- Injury

## 2.1 General safety



- Use denatured alcohol only. Do **not** use other fuels such as gasoline, diesel, methanol, propane or charcoal lighter.
- **Danger of asphyxiation!**  
Before starting the device, ensure that the area is sufficiently ventilated.
- Place a class A fire extinguisher (for alcohol fires) in reaching distance.  
Ensure the fire extinguisher is regularly checked by qualified personnel.
- Persons whose physical, sensory or mental capacities prevent them from using this device safely should not operate it without the supervision of a responsible adult.
- **Electric devices are not toys**  
Keep electrical appliances out of reach of children or infirm persons. Do not let them use the appliances without supervision.



- Use the stove only as intended.

### Dometic ORIGO alcohol/electric stoves 2500 and 4300 only



- Place a class B-1 fire extinguisher (for electric fires) in reaching distance.  
Ensure the fire extinguisher is regularly checked by qualified personnel.
- Always disconnect the power supply when working on the device.
- Maintenance and repair work may only be carried out by qualified personnel who are familiar with the risks involved and the relevant regulations.
- Inform yourself how to power-off the circuit breaker or the fuse in the event of an emergency.

## 2.2 Safety precautions when handling denatured alcohol



- Keep inflammable substances apart from heating and cooking devices and other light and heat sources.
- Store alcohol in suitable containers only and in sufficient distance from the stove.
- Eliminate all sources of sparks or flames where the alcohol is stored or filled-in.
- Never fill the canisters while still in the stove. Never pour fuel through the burner openings in top of the stove (fig. **1**, page 2).
- Overfilling, spilt alcohol and hot objects can cause severe burns.
- Denatured alcohol burns with almost invisible flame, so great damage can arise before you notice the danger.



- Mop up any spilt alcohol immediately to prevent uncontrollable burning.
- Do not smoke when handling alcohol or when operating the stove.
- Fill the canister to the maximum capacity only. Alcohol expands in the canister when heated. Overfilled alcohol can cause uncontrollable burning inside the stove.

## 2.3 Operating the device safely



- Use long matches or long lighters to light the burner. Quickly remove your hand as soon as the burner ignites.
- Wear proper clothing when operating the stove. Do not wear hanging garments which can catch fire.



- Let the stove cool down to ambient temperature before you touch it with bare hands.
- Keep the area surrounding the stove and interior parts free of grease, fat, alcoholic substances, plastic or inflammable cloths (for instance curtains, towels, kitchen utensils).
- Use only pots and pans with a maximum diameter of 23 cm.



- When cooking ensure that pans and pots are securely in position. Recommended is the use of pot holders (fig. **2** 2, page 2, **accessory**).
- Be careful when heating grease or oil. Grease and oil catch fire when exposed to great heat.
- Use only dry pot cloths to prevent the formation of steam. Do not use towels or the like instead of pot cloths as these can catch fire.
- Never leave the stove unattended when cooking. Pots boiling over can cause smoke and fires.
- Move the burner control (fig. **2** 1, page 2) to the off position before removing the pot.
- Do not use the stove to heat the environment.
- **Dometic Origo 2500 and 4300 only:** Never use alcohol and electrical burners simultaneously to prevent overheating which can destroy the heating element.
- **Dometic Origo 2500 and 4300 only:** Operating electrical burners at a high setting without a filled pot can damage the stove.



### 3 Scope of delivery

- Stove
- Gasket per canister

### 4 Accessories

Description	Item no.			
	2000	2500	4100	4300
Glass Lid	9103303990	–	9103303989	–
Pot Holder	9103303981	–	9103303981	–
Cutting Board	9103303987	–	9103303986	–

Intended use

Dometic ORIGO

## 5 Intended use

The Dometic ORIGO stoves are designed for use in vehicles or boats.

## 6 Technical description

### 6.1 Function

The stove is made of stainless steel and uses the absorption principle. The canister has a capacity of 1.2 l. Denatured alcohol is used as fuel.

Alcohol is absorbed into a non-flammable material in the canister. They are not equipped with fuel valve or fuel lines, which can develop leaks, or with other such components requiring regular service.

The Dometic ORIGO alcohol/electric stoves 2500 and 4300 are equipped with a 230 V heating element. They can alternatively be operated with alcohol or 230 V.

### 6.2 Specifications for the device variants

Various stove versions are available.

- **2000 and 2500:** single-burner unit
- **4100 and 4300:** double-burner unit
- **2500 and 4300:** additional heating element for alternative operation at the 230 V mains

To define your device see the item number on the type plate.

### 6.3 Operating elements

Operating elements for operation with denatured alcohol (fig. **2**, page 2):

No.	Description
1	Control, continuously adjustable – Control set fully to right: burner closed – Control set fully to left: burner open
2	Pot holder ( <b>accessory</b> )

Operating elements for operation at 230 V mains (fig. **3**, page 2) (Dometic ORIGO 2500 and 4300)

No.	Symbol	Description
1		Power setting LEDs
2	+	Increase the heating element's power setting In combination with the button "O <sub>fl</sub> ": Switch on heating element
3	-	Decrease the heating element's power setting
4	O <sub>fl</sub>	Switch on heating element, when button "+" is pressed within 10 s
5	0	Switch off heating element

## 7 Mounting the stove

You can fit the stove into the countertop of your kitchen.

### 7.1 Selecting the installation location

When selecting the installation location, observe the following instructions:

- Select a well-ventilated location for the device.
- Avoid draft at the installation location.  
If you fit the stove in an open cockpit or other open areas mount an additional wind protection.
- Do **not** operate the device in spaces where danger of explosion is present.

### 7.2 Installing the stove



#### **Caution – Danger of damaging the device!**

Before drilling any holes, make sure that no electrical cables or other parts of the vehicle can be damaged by drilling, sawing and filing.

- Cut a rectangular hole into the countertop (dimensions see following table):

Model	Dimensions in mm
2000	345 x 320
2500	345 x 320
4100	575 x 320
4300	575 x 320

- Open the top and remove the canisters.
- Place the stove in the middle of the cutout.
- Mark the drill holes.  
Use the drill holes at the rim of the stove as template.
- Pre-drill the holes into the countertop where marked.
- Fasten the stove by screwing flat head screws through each drill hole at the rim.
- Place a class B-1 fire extinguisher in reaching distance.

### 7.3 Connecting the stove electrically (Dometic ORIGO 2500 and 4300 only)



#### Caution! Danger of injury!

The stove may only be connected by a qualified specialist.  
The following information is intended for technicians who are familiar with the guidelines and safety precautions to be applied.

Observe the following safety instructions for the electrical connections:



#### ● Caution, risk of short circuit!

Always use sockets which are grounded and secured by residual current circuit breakers.

- If you have to feed cables through metal walls or other walls with sharp edges, use ducts or tubes to prevent damage.
- Do not lay cables which are loose or bent next to electrically conductive material (metal).
- Fasten the cables securely.
- Do not pull on the cables.
- Lay the cables so that they cannot be tripped over or damaged.

➤ Connect the stove to the mains according to the label on the device. The black L1 wire is the ungrounded conductor.

➤ Secure the cable with a clamp.

## 8 Using the stove

### 8.1 Filling-in denatured alcohol



#### Caution! Danger of injury!

Never pour fuel through the burner openings in top of the stove (fig. **1**, page 2).

Overfilling, spilt alcohol and hot objects can cause severe burns.

- Ensure all burners are turned off:
  - operation with denatured alcohol: slide the control fully to right
  - operation at the 230 v mains (**2500 and 4300 only**): switch heating elements off
- Ensure the stove is cooled down to room temperature.
- If applicable, remove the cutting board or lift the glass lid (both **accessory**).
- Pull the latch forward (fig. **4**, page 3) and lift the stovetop.
- Check canister opening ensuring there's neither fire nor glow.
- Take out the canister.
- Hold the canister tilted down (fig. **5**, page 3).
- Fill the denatured alcohol through the wire mesh into the opening of the canisters.  
The maximum capacity per canister must not exceed 1.2 l.
- Check the fuel level by tilting the canister vertically (fig. **6**, page 3).  
Keep it in this position for 20 s, to make sure it's not overfilled. In addition, in the case of accidental overfilling you can get rid of the surplus fuel.
- ✓ The maximum fuel level is reached when the fuel is visible at the bottom of the opening.



#### Note

The stove will operate even if the canister isn't filled with the maximum capacity.

- Wipe possible spilt alcohol off the outside of the canister.
- Replace the canister.

- Close the stovetop and secure it with the latch.

## 8.2 Lighting the stove



### Caution! Danger of injury!

Use long matches or long lighters to light the burner.  
Quickly remove your hand as soon as the burner ignites.

- Slide the control fully to left.
- ✓ The burner is open.
- Light the stove by placing a long match or a long lighter to the burner opening (fig. **7**, page 4).
- Adjust the flame so it does not extend beyond the edge of the pot.
- Choose the desired power setting via control.



### Note

If the stove hasn't cooled down from previous use, the burner may ignite but immediately extinguish. In this case blow air into the burner opening to dissipate vapour.  
Afterwards light the stove as described above.

## 8.3 Extinguish the flame

- Slide the control fully to right.
- ✓ The burner is closed.
- Wait about five seconds.
- Slide the control fully to left to make sure the flame is extinguished.
- ✓ The burner is open.
- Slide the control fully to right.
- ✓ The burner is closed.

### 8.4 Using the heating element (Dometic ORIGO 2500 and 4300 only)



**Caution!**

Never use alcohol and electrical burners simultaneously to prevent overheating which can destroy the heating element.

- If applicable, remove the cutting board or lift the glass lid (both **accessory**).



**Note**

For your safety the stove will switch off the mains when you replace the cutting board or close the glass lid (both **accessory**).

- To switch on the heating element push the button “O” and **within 10 s** the button “+”.
- Choose the desired power setting via the buttons “+” and “-”.

The power is regulated in five steps and indicated by the LEDs (see table below).

LED (fig. 3 1, page 2)	Power setting
No LED glows	heating element is off
LED 1 glows	20 %
LED 1 and LED 2 glow	40 %
LED 2 glows	60 %
LED 2 and LED 3 glow	80 %
LED 3 glows	100 %

Pushing the buttons will change the power setting by one step, holding down the buttons will change the power setting by more than one step.

- To switch off the heating element push the button “0” symbol.
- Let the stove cool down to room temperature, before you place the cutting board or close the glass lid (both **accessory**).



## 8.5 Covering the canister with a gasket

To prevent the evaporation of denatured alcohol the burners are covered with rubber gaskets, when the stove is not to be used for a long period.

- Ensure the stove is cooled down to room temperature.
- If applicable, remove the cutting board or lift the glass lid (both **accessory**).
- Pull the latch forward (fig. **4**, page 3) and lift the stovetop.
- Place the gasket over the canister opening.
- Close the stovetop and secure it with the latch.



### Note

Remove the gaskets before using the stove.

## 9 Cleaning and maintaining the stove



### Caution

Do not use any sharp or hard objects for cleaning since they may damage the device.

- Remove the grate from the stovetop. Therefore slide the retainer off the hole and lift the grate (fig. **8**, page 4).
- Clean the stovetop. In particular remove carefully sticky grease and oil.
- **2500 and 4300 only:** Lift the heating element until you feel a resistance. Clean the stove underneath the heating element.

## 10 Guarantee

The statutory warranty period applies. If the product is defective, please contact the manufacturer's branch in your country (see the back of the instruction manual for the addresses) or your retailer.

For repair and guarantee processing, please include the following documents when you send in the device:

- A copy of the receipt with purchasing date
- A reason for the claim or description of the fault

## 11 Disposal

- ▶ Place the packaging material in the appropriate recycling waste bins wherever possible.



If you wish to finally dispose of the device, ask your local recycling centre or specialist dealer for details about how to do this in accordance with the applicable disposal regulations.

SVMB

## 12 Technical data

	Dometic ORIGO stove	
	2000	2500
Item no.:	9103303884	–
Number of burners:	1	
Burning duration:	approx. 4.5 h	
Power of burner:	2000 W	
Power of heating element:	–	1150 W
Cooking time for 1 l water:	10 min	
Canister capacity:	1.2 l	
Dimensions (L x W x H):	396 x 377 x 150 mm	
Weight:	5.8 kg	6.2 kg

	Dometic ORIGO stove	
	4100	4300
Item no.:	9103303890	–
Number of burners:	2	
Burning duration:	approx. 4.5 h	
Power of burner:	2000 W	
Power of heating element:	–	1150 W/element
Cooking time for 1 l water:	10 min	
Canister capacity:	1,2 l	
Dimensions (L x W x H):	623 x 377 x 150 mm	
Weight:	8 kg	9.9 kg

Variations, technical improvements and delivery options reserved.

**Bitte lesen Sie diese Anleitung vor Einbau und Inbetriebnahme sorgfältig durch und bewahren Sie sie auf. Geben Sie sie im Falle einer Weitergabe des Gerätes an den Nutzer weiter.**

## Inhaltsverzeichnis

1	Hinweise zur Benutzung der Anleitung . . . . .	21
2	Allgemeine Sicherheitshinweise . . . . .	21
3	Lieferumfang . . . . .	25
4	Zubehör . . . . .	25
5	Bestimmungsgemäßer Gebrauch . . . . .	26
6	Technische Beschreibung . . . . .	26
7	Kocher montieren. . . . .	27
8	Kocher verwenden. . . . .	29
9	Kocher reinigen und warten. . . . .	33
10	Gewährleistung . . . . .	34
11	Entsorgung. . . . .	34
12	Technische Daten . . . . .	35

# 1 Hinweise zur Benutzung der Anleitung



## Warnung!

**Sicherheitshinweis:** Nichtbeachtung kann zu Personen- oder Materialschäden führen.



## Achtung!

**Sicherheitshinweis:** Nichtbeachtung kann zu Materialschäden führen und die Funktion des Gerätes beeinträchtigen.



## Warnung!

**Sicherheitshinweis,** der auf Gefahren durch elektrischen Strom oder elektrische Spannung hinweist: Nichtbeachtung kann zu Personen- oder Materialschäden führen und die Funktion des Gerätes beeinträchtigen.



## Hinweis

Ergänzende Informationen zur Bedienung des Gerätes.

► **Handlung:** Dieses Symbol zeigt Ihnen, dass Sie etwas tun müssen. Die erforderlichen Handlungen werden Schritt für Schritt beschrieben.

✓ Dieses Symbol beschreibt das Ergebnis einer Handlung.

**Abb. 1 5, Seite 3:** Diese Angabe weist Sie auf ein Element in einer Abbildung hin, in diesem Beispiel auf „Position 5 in Abbildung 1 auf Seite 3“.

**Beachten Sie bitte auch die nachfolgenden Sicherheitshinweise.**

## 2 Allgemeine Sicherheitshinweise

Der Hersteller übernimmt keine Haftung für Schäden aufgrund folgender Punkte:

- Montage- oder Anschlussfehler
- Beschädigungen am Gerät durch mechanische Einflüsse und Überspannungen
- Veränderungen am Gerät ohne ausdrückliche Genehmigung vom Hersteller
- Verwendung für andere als die in der Anleitung beschriebenen Zwecke

Beachten Sie folgende grundsätzliche Sicherheitsmaßnahmen beim Gebrauch von elektrischen Geräten zum Schutz vor:

- elektrischem Schlag
- Brandgefahr
- Verletzungen

## 2.1 Allgemeine Sicherheit



- Betreiben Sie den Kocher nur mit Brennspritus. Verwenden Sie **keine** anderen Brennstoffe wie zum Beispiel Benzin- oder Dieselmotorkraftstoffe, Methylalkohol, Propangas oder Grillkohleanzünder.
- **Erstickungsgefahr!**  
Sorgen Sie vor der Inbetriebnahme des Kochers für ausreichende Belüftung.
- Montieren Sie in Greifnähe einen Feuerlöscher der Klasse A (für Spiritusflammen).  
Lassen Sie den Feuerlöscher regelmäßig von zugelassenem Fachpersonal prüfen.
- Personen, die aufgrund ihrer physischen, sensorischen oder geistigen Fähigkeiten oder ihrer Unerfahrenheit oder Unkenntnis nicht in der Lage sind, das Gerät sicher zu benutzen, sollten dieses Gerät nicht ohne Aufsicht oder Anweisung durch eine verantwortliche Person nutzen.
- **Elektrogeräte sind kein Kinderspielzeug!**  
Kinder können Gefahren, die von elektrischen Geräten ausgehen, nicht richtig einschätzen. Lassen Sie Kinder nicht ohne Aufsicht elektrische Geräte benutzen.



- Benutzen Sie den Kocher nur zu seinem bestimmungsgemäßen Gebrauch.

## Nur für Dometic ORIGO Spiritus-/Elektrokocher 2500 und 4300



- Montieren Sie in Greifnähe einen Feuerlöscher der Klasse B-1 (für elektrische Feuer). Lassen Sie den Feuerlöscher regelmäßig von zugelassenem Fachpersonal prüfen.
- Unterbrechen Sie bei Arbeiten am Gerät immer die Stromversorgung.
- Die Wartung und Reparatur darf nur durch eine Fachkraft erfolgen, die mit den damit verbundenen Gefahren bzw. den einschlägigen Vorschriften vertraut ist.
- Informieren Sie sich, wie Sie das Gerät im Notfall über den elektrischen Trennschalter oder die Sicherung stromlos schalten.

## 2.2 Sicherheit im Umgang mit Brennspritus



- Halten Sie brennbare Substanzen fern von Heiz- und Kochgeräten und anderen Licht- und Wärmequellen.
- Lagern Sie Brennspritus nur in geeigneten Behältnissen und in ausreichender Entfernung vom Kocher.
- Sorgen Sie dafür, dass am Aufbewahrungsort für Brennspritus oder am Auffüllort keine Gefahr von Funken- und Flammenbildung besteht.
- Befüllen Sie die Brenneröpfe niemals im Kocher. Füllen Sie niemals Spiritus durch die Brenneröffnungen in der Abdeckung (Abb. **1**, Seite 2).
- Überfüllte Brenneröpfe, verschütteter Brennspritus und heiße Oberflächen können zu schweren Verbrennungen führen.
- Brennspritus brennt mit fast unsichtbarer Flamme, so dass ein großer Schaden bereits entstanden sein kann, bevor Sie die Gefahr bemerkt haben.



- Wischen Sie verschütteten Brennspritus immer sofort auf, um ein unkontrolliertes Verbrennen zu verhindern.
- Rauchen Sie nicht, wenn Sie mit Brennspritus hantieren oder den Kocher verwenden.
- Befüllen Sie den Brennertopf nur mit der maximalen Füllmenge. Erwärmter Brennspritus dehnt sich im Brennertopf aus. Überlaufender Brennspritus verursacht unkontrolliertes Verbrennen im Kocher.

### 2.3 Sicherheit beim Betrieb des Gerätes



- Verwenden Sie zum Anzünden des Brenners überlange Streichhölzer oder ein Stabfeuerzeug. Ziehen Sie Ihre Hand schnell beiseite, sobald der Brenner angezündet ist.
- Tragen Sie angemessene Kleidung, wenn Sie den Kocher verwenden. Tragen Sie keine herabhängenden Kleidungsstücke, die Feuer fangen könnten.



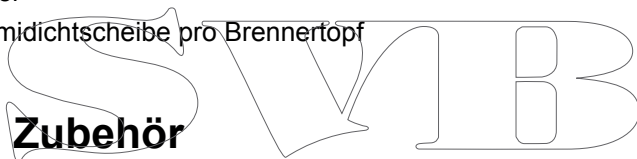
- Lassen Sie den Kocher vollständig auf Raumtemperatur abkühlen, bevor Sie ihn mit bloßen Händen anfassen.
- Halten Sie die Umgebung um den Kocher herum frei von Fetten, alkoholischen Substanzen, Plastik und entflammaren Stoffen (zum Beispiel Vorhänge, Handtücher, Küchenutensilien).
- Verwenden Sie nur Töpfe und Pfannen mit einem maximalen Durchmesser von 23 cm.
- Achten Sie beim Kochen auf den sicheren Stand von Töpfen und Pfannen. Es empfiehlt sich, Topfhalter (Abb. **2** 2, Seite 2, **Zubehör**) zu verwenden.
- Seien Sie besonders aufmerksam, wenn Sie Fette und Öle erhitzen. Fette und Öle fangen bei zu großer Hitze an zu brennen.
- Verwenden Sie ausschließlich trockene Topflappen, um die Bildung von Dampf zu vermeiden. Benutzen Sie keine Trockentücher oder ähnliches anstellen von Topflappen, da diese Feuer fangen könnten.



- Lassen Sie den Kocher beim Kochen nie unbeaufsichtigt. Durch überkochende Töpfe können Rauchbildung oder Brände die Folge sein.
- Stellen Sie den Regler (Abb. **2** 1, Seite 2) auf „Aus“, bevor Sie den Topf entfernen.
- Verwenden Sie den Kocher nicht, um den Raum zu beheizen.
- **Nur Dometic Origo 2500 und 4300:** Verwenden Sie niemals gleichzeitig Brennspritus und 230-V-Wechselstrom, um eine Überhitzung des Gerätes und Schäden am Heizelement zu vermeiden.
- **Nur Dometic Origo 2500 and 4300:** Das Betreiben von Elektrokochern ohne gefüllten Topf mit einer hohen Leistungsstufe kann den Kocher beschädigen.

### 3 Lieferumfang

- Kocher
- Gummidichtscheibe pro Brennertopf



### 4

### Zubehör

Bezeichnung	Art.-Nr.			
	2000	2500	4100	4300
Glasabdeckung	9103303990	–	9103303989	–
Topfhalter	9103303981	–	9103303981	–
Schnittbrett	9103303987	–	9103303986	–

## 5 Bestimmungsgemäßer Gebrauch

Die Dometic ORIGO Kocher sind zum Einbau an Bord von Fahrzeugen oder Booten geeignet.

## 6 Technische Beschreibung

### 6.1 Funktion

Der Kocher ist aus rostfreiem Edelstahl gefertigt und arbeitet nach dem Absorptionsprinzip. Die Brenntöpfe haben ein Fassungsvermögen von 1,2 l. Als Brennstoff dient Brennspiritus.

Spiritus wird in ein nicht entflammables Material im Brenntopf absorbiert. Die Brenntöpfe besitzen weder Ventile oder Leitungen, die Leckagen bekommen könnten, noch andere Komponenten, die regelmäßigen Service benötigen.

Die Dometic ORIGO Spiritus-/Elektrokocher 2500 und 4300 verfügen über ein 230-Volt-Heizelement und können wahlweise mit Brennspiritus oder 230-V-Wechselstrom betrieben werden.

### 6.2 Spezifikationen der Gerätevarianten

Die Dometic ORIGO Kocher werden in unterschiedlichen Gerätevarianten geliefert.

- **2000 und 2500:** einflammige Kocher
- **4100 und 4300:** zweifflammige Kocher
- **2500 und 4300:** zusätzliches Heizelement für wahlweisen Betrieb mit 230-V-Wechselstrom

Die Bezeichnung Ihres Gerätes finden Sie auf dem Typenschild.

## 6.3 Bedienelemente

**Bedienelemente für den Betrieb mit Brennspritus (Abb. 2, Seite 2):**

Nr.	Beschreibung
1	Stufenlos verstellbarer Regler – Regler ganz rechts: Brenner geschlossen – Regler ganz links: Brenner geöffnet
2	Topfhalter ( <b>Zubehör</b> )

**Bedienelemente für den Betrieb mit 230-V-Wechselstrom (Abb. 3, Seite 2) (Dometic ORIGO 2500 und 4300)**

Nr.	Symbol	Beschreibung
1		LEDs „Leistungsstufe“
2	+	Leistungsstufe des Heizelementes erhöhen Zusammen mit der Taste „O <sub>TH</sub> “: Heizelement einschalten
3	-	Leistungsstufe des Heizelementes reduzieren
4	O <sub>TH</sub>	Heizelement einschalten, wenn die Taste „+“ innerhalb von 10 s gedrückt wird
5	0	Heizelement ausschalten

## 7 Kocher montieren

Sie können den Kocher in die Arbeitsplatte Ihrer Küche einlassen.

### 7.1 Montageort wählen

Beachten Sie bei der Wahl des Montageortes folgende Hinweise:

- Wählen Sie einen gut belüfteten Montageort.
- Achten Sie darauf, dass am Montageort kein Durchzug entsteht.  
Wenn Sie den Kocher in ein offenes Cockpit oder andere offene Stellen einbauen, montieren Sie zusätzlich einen Windschutz.
- Betreiben Sie das Gerät **nicht** in explosionsgefährdeten Räumen.

## 7.2 Kocher einbauen



### **Achtung – Beschädigungsgefahr!**

Bevor Sie irgendwelche Bohrungen vornehmen, stellen Sie sicher, dass keine elektrischen Kabel oder andere Teile des Fahrzeugs durch Bohren, Sägen und Feilen beschädigt werden.

- Sägen Sie einen rechteckigen Ausschnitt in die Arbeitsplatte (Maße siehe folgende Tabelle):

Modell	Maße in mm
2000	345 x 320
2500	345 x 320
4100	575 x 320
4300	575 x 320

- Öffnen Sie die Abdeckung und entfernen Sie die Brenntöpfe.
- Setzen Sie den Kocher mittig in den Ausschnitt ein.
- Markieren Sie die Bohrlöcher. Verwenden Sie die Löcher am Rand des Kochers als Schablone.
- Bohren Sie die Bohrlöcher an den markierten Stellen in die Arbeitsplatte vor.
- Schrauben Sie zur Befestigung Senkkopfschrauben in die Bohrungen am Rand.
- Montieren Sie in Greifnähe einen Feuerlöscher der Klasse B-1.

## 7.3 Kocher elektrisch anschließen (nur Dometic ORIGO 2500 und 4300)



### **Achtung – Verletzungsgefahr!**

Der Anschluss des Kochers darf ausschließlich von entsprechend ausgebildeten Fachbetrieben durchgeführt werden.

Die nachfolgenden Informationen richten sich an Fachkräfte, die mit den anzuwendenden Richtlinien und Sicherheitsvorkehrungen vertraut sind.

Beachten Sie folgende Sicherheitshinweise beim elektrischen Anschluss:



● **Achtung Kurzschlussgefahr!**

Schließen Sie die Leitungen an einen geerdeten und durch einen FI-Schutzschalter abgesicherten Stromkreis an.

- Wenn Sie Leitungen durch Blechwände oder andere scharfkantige Wände führen müssen, benutzen Sie Leerrohre oder Leitungsdurchführungen.
- Verlegen Sie Leitungen nicht lose oder scharf abgeknickt an elektrisch leitenden Materialien (Metall).
- Befestigen Sie die Leitungen gut.
- Ziehen Sie nicht an Leitungen.
- Verlegen Sie die Leitungen so, dass keine Stolpergefahr entsteht und eine Beschädigung des Kabels ausgeschlossen ist.

- Schließen Sie den Kocher entsprechend der Kennzeichnung auf dem Gerät an den Stromkreis an. Die schwarze L1-Leitung ist die Phasenleitung.
- Sichern Sie das Kabel mit einer Schelle.

## 8 Kocher verwenden

### 8.1 Brennspritus einfüllen



**Achtung – Verletzungsgefahr!**

Befüllen Sie die Brenntöpfe niemals im Kocher. Füllen Sie niemals Spiritus durch die Brenneröffnungen in der Abdeckung (Abb. 1, Seite 2).

Überfüllte Brenntöpfe, verschütteter Brennspritus und heiße Oberflächen können zu schweren Verbrennungen führen.

- Stellen Sie sicher, dass alle Brenntöpfe abgeschaltet sind:
  - Spiritusbetrieb: Regler nach ganz rechts schieben
  - Elektrischer Betrieb (**nur 2500 und 4300**): Heizelemente ausschalten
- Stellen Sie sicher, dass der Kocher auf Raumtemperatur abgekühlt ist.
- Entfernen Sie ggf. das Schneidebrett oder heben Sie die Glasabdeckung (beide **Zubehör**).

- ▶ Ziehen Sie den Riegel nach vorn (Abb. **4**, Seite 3) und heben Sie das Kochfeld an.
- ▶ Prüfen Sie die Öffnung des Brennerpotfes, um sicherzustellen, dass weder Feuer noch Glut vorhanden ist.
- ▶ Nehmen Sie den Brennerpotf heraus.
- ▶ Halten Sie den Brennerpotf schräg nach unten (Abb. **5**, Seite 3).
- ▶ Füllen Sie Brennspritus durch das Drahtgeflecht in die Öffnung des Brennerpotfes ein.  
Die maximale Füllmenge von 1,2 l pro Brennerpotf darf nicht überschritten werden.
- ▶ Prüfen Sie die zulässige Füllmenge, indem Sie den Brennerpotf senkrecht nach unten halten (Abb. **6**, Seite 3).

Halten Sie ihn 20 s lang in dieser Position, um sicherzustellen, dass er nicht überfüllt ist. Außerdem entsorgen Sie so überschüssigen Brennspritus, falls Sie versehentlich zuviel eingefüllt haben

- ✓ Der maximale Füllstand ist erreicht, wenn der Spiritus am unteren Ende der Öffnung sichtbar ist.



**Hinweis**

Der Kocher funktioniert auch dann, wenn der Brennerpotf nicht bis zur maximalen Füllmenge befüllt ist.

- ▶ Reinigen Sie den Brennerpotf außen von eventuell verschüttetem Brennspritus.
- ▶ Setzen Sie den Brennerpotf wieder ein.
- ▶ Schließen Sie das Kochfeld und sichern Sie es mit dem Riegel.

## 8.2 Kocher anzünden



### **Achtung – Verletzungsgefahr!**

Verwenden Sie zum Anzünden überlange Streichhölzer oder ein Stabfeuerzeug.

Ziehen Sie Ihre Hand schnell beiseite, sobald der Brenner angezündet ist.

- Schieben Sie den Regler ganz nach links.
- ✓ Der Brenner ist geöffnet.
- Zünden Sie den Kocher an, indem Sie ein überlanges Streichholz oder Stabfeuerzeug an die Brenneröffnung halten (Abb. **7**, Seite 4).
- Stellen Sie die Flamme so ein, dass sie sich nicht über den Rand des Topfes ausdehnt.
- Stellen Sie über den Regler die gewünschte Leistungsstufe ein.



### **Hinweis**

Falls der Kocher durch vorherigen Gebrauch noch nicht ganz abgekühlt ist, kann es passieren, dass die Flamme entzündet wird, aber sofort wieder erlischt. Blasen Sie in diesem Fall Luft in die Brenneröffnung, um den Dampf aus dem Gerät zu leiten. Zünden Sie danach den Kocher wie oben beschrieben an.

## 8.3 Flamme löschen

- Schieben Sie den Regler ganz nach rechts.
- ✓ Der Brenner ist geschlossen.
- Warten Sie etwa fünf Sekunden.
- Schieben Sie den Regler noch einmal ganz nach links, um sicherzustellen, dass die Flamme aus ist.
- ✓ Der Brenner ist geöffnet.
- Schieben Sie den Regler ganz nach rechts.
- ✓ Der Brenner ist geschlossen.

### 8.4 Heizelement verwenden (nur Dometic ORIGO 2500 und 4300)



#### Achtung!

Verwenden Sie niemals gleichzeitig Brennspritus und 230-V-Wechselstrom, um eine Überhitzung des Gerätes und Schäden am Heizelement zu vermeiden.

- Entfernen Sie ggf. das Schneidebrett oder heben Sie die Glasabdeckung (beide **Zubehör**).



#### Hinweis

Zu Ihrer Sicherheit schaltet der Kocher die elektrische Spannung ab, wenn Sie das Schneidebrett aufsetzen oder die Glasabdeckung schließen (beide **Zubehör**).

- Um das Heizelement einzuschalten, drücken Sie die Taste „0“ und **innerhalb von 10 s** die Taste „+“.
- Stellen Sie mit den Tasten „+“ und „-“ die gewünschte Leistungsstufe ein:  
Die Leistung wird in fünf Stufen eingestellt und durch die LEDs angezeigt (siehe folgende Tabelle):

LED	Leistungsstufe
Keine LED leuchtet	Heizelement ist ausgeschaltet
LED 1 leuchtet	20 %
LED 1 und LED 2 leuchten	40 %
LED 2 leuchtet	60 %
LED 2 und LED 3 leuchten	80 %
LED 3 leuchtet	100 %

Durch Drücken der Tasten wird die Leistungsstufe um eine Stufe geändert, durch Festhalten der Tasten um mehrere Stufen.

- Drücken Sie die Taste „0“, um das Heizelement auszuschalten.
- Lassen Sie den Kocher auf Raumtemperatur abkühlen, bevor Sie das Schneidebrett wieder aufsetzen oder die Glasabdeckung schließen (beide **Zubehör**).



## 8.5 Brennertopf mit Dichtung abdecken

Zum Schutz vor Verdampfung des Brennspiritus werden die Brennertöpfe mit Gummidichtungen abgedeckt, wenn der Kocher längere Zeit nicht verwendet wird.

- ▶ Stellen Sie sicher, dass der Kocher auf Raumtemperatur abgekühlt ist.
- ▶ Entfernen Sie ggf. das Schneidebrett oder heben Sie die Glasabdeckung (beide **Zubehör**).
- ▶ Ziehen Sie den Riegel nach vorn (Abb. **4**, Seite 3) und heben Sie das Kochfeld an.
- ▶ Ziehen Sie die Dichtung über die Öffnung des Brennertopfs.
- ▶ Schließen Sie das Kochfeld und sichern Sie es mit dem Verschluss.



### Hinweis

Achten Sie darauf, dass Sie die Dichtungen wieder entfernen, wenn Sie den Kocher verwenden.

## 9 Kocher reinigen und warten



### Achtung!

Keine scharfen oder harten Mittel zur Reinigung verwenden, da dies zu einer Beschädigung des Gerätes führen kann.

- ▶ Nehmen Sie das Gitter vom Kochfeld ab. Schieben Sie dazu den Bügel aus der Öffnung und heben Sie das Gitter vom Kochfeld (Abb. **8**, Seite 4).
- ▶ Reinigen Sie das Kochfeld. Entfernen Sie insbesondere anhaftende Fette und Öle sorgfältig.
- ▶ **Nur 2500 und 4300:** Heben Sie das Heizelement an, bis Sie einen Widerstand spüren. Reinigen Sie den Kocher unter dem Heizelement.

## 10 Gewährleistung

Es gilt die gesetzliche Gewährleistungsfrist. Sollte das Produkt defekt sein, wenden Sie sich bitte an die Niederlassung des Herstellers in Ihrem Land (Adressen siehe Rückseite der Anleitung) oder an Ihren Fachhändler.

Zur Reparatur- bzw. Gewährleistungsbearbeitung müssen Sie folgende Unterlagen mitschicken:

- eine Kopie der Rechnung mit Kaufdatum,
- einen Reklamationsgrund oder eine Fehlerbeschreibung.

## 11 Entsorgung

- ▶ Geben Sie das Verpackungsmaterial möglichst in den entsprechenden Recycling-Müll.



Wenn Sie das Gerät endgültig außer Betrieb nehmen, informieren Sie sich bitte beim nächsten Recyclingcenter oder bei Ihrem Fachhändler über die zutreffenden Entsorgungsvorschriften.

SVRIB

## 12 Technische Daten

	Dometic ORIGO Kocher	
	2000	2500
Art.-Nr.:	9103303884	–
Anzahl der Flammen:	1	
Brenndauer:	ca. 4,5 h	
Leistung Brenner:	2000 W	
Leistung Heizelement:	–	1150 W
Kochzeit für 1 l Wasser:	10 min	
Max. Füllmenge:	1,2 l	
Abmessungen (L x B x H):	396 x 377 x 150 mm	
Gewicht:	5,8 kg	6,2 kg

	Dometic ORIGO Kocher	
	4100	4300
Art.-Nr.:	9103303890	–
Anzahl der Flammen:	2	
Brenndauer:	ca. 4,5 h	
Leistung Brenner:	2000 W	
Leistung Heizelement:	–	1150 W/Element
Kochzeit für 1 l Wasser:	10 min	
Max. Füllmenge:	1,2 l	
Abmessungen (L x B x H):	623 x 377 x 150 mm	
Gewicht:	8 kg	9,9 kg

Ausführungen, dem technischen Fortschritt dienende Änderungen und Liefermöglichkeiten vorbehalten.

**Veillez lire ce manuel avec attention avant d'installer et de mettre en marche cet appareil, et gardez-le dans un endroit sûr. Si l'appareil est remis à une autre personne, ce manuel doit y être joint.**

## Table des matières

1	Remarques concernant ce manuel . . . . .	37
2	Instructions générales de sécurité . . . . .	38
3	Plan de livraison. . . . .	41
4	Accessoires . . . . .	41
5	Usage conforme. . . . .	41
6	Description technique . . . . .	42
7	Montage de la cuisinière . . . . .	44
8	Utilisation de la cuisinière . . . . .	46
9	Nettoyage et entretien de la cuisinière. . . . .	49
10	Garantie . . . . .	50
11	Elimination . . . . .	50
12	Caractéristiques techniques. . . . .	51

# 1 Remarques concernant ce manuel



## Avertissement !

**Consigne de sécurité :** tout non respect de ces consignes peut entraîner des dommages matériels, compromettre la sécurité des personnes.



## Attention !

**Consigne de sécurité :** le non-respect de ces consignes peut entraîner des dommages matériels et nuire au fonctionnement de l'appareil.



## Avertissement !

**Consigne de sécurité** relative aux dangers émanant du courant électrique ou de la tension électrique : le non-respect des consignes peut entraîner des dommages matériels, compromettre la sécurité des personnes et nuire au fonctionnement de l'appareil.



## Remarque

Informations complémentaires sur l'utilisation de l'appareil.

- ▶ **Manipulation :** ce symbole vous indique une action à effectuer. Les manipulations à effectuer sont décrites étape par étape.
- ✓ Ce symbole décrit le résultat d'une manipulation.

**fig. 1 5, page 3:** cette information renvoie à un élément figurant sur une illustration, dans cet exemple à la « position 5 de l'illustration 1 à la page 3 ».

**Respectez également les consignes de sécurité suivantes.**

## 2 Instructions générales de sécurité

Le fabricant décline toute responsabilité en cas de dommages causés par :

- des défauts de montage ou de raccordement,
- des influences mécaniques et des surtensions ayant endommagé le matériel,
- des modifications apportées à l'appareil sans autorisation explicite de la part du fabricant,
- une utilisation différente de celle décrite dans la notice.

Veillez respecter les instructions de base suivantes concernant la sécurité lors de l'emploi de dispositifs électriques afin de vous protéger :

- des décharges électriques
- des risques d'incendie
- des risques de blessure

### 2.1 Sécurité générale



- Utiliser uniquement de l'alcool dénaturé. **Ne pas** employer d'autres combustibles tels que : essence, diesel, méthanol, propane ou allumeur de charbon de bois.
- **Danger d'asphyxie !**  
Avant de mettre l'appareil en marche, s'assurer que le lieu d'utilisation est suffisamment aéré.
- Placer un extincteur de classe A (pour feux alimentés par alcool) à distance de portée.  
S'assurer que l'extincteur est vérifié régulièrement par un personnel qualifié.
- Les personnes dont les capacités physiques, sensorielles ou mentales les empêchent de se servir de ce dispositif de façon sûre ne doivent pas l'exploiter sans la surveillance d'un adulte responsable.
- **Les dispositifs électriques ne sont pas des jouets**  
Maintenir les appareils électriques hors de portée des enfants et des personnes souffrant d'infirmités. Ne pas les laisser se servir des appareils sans surveillance.



- Utiliser la cuisinière aux fins pour lesquelles elle a été conçue.

### Uniquement cuisinières à l'alcool/électriques Dometic ORIGO 2500 et 4300



- Placer un extincteur de classe B1 (pour feux électriques) à distance de portée.  
S'assurer que l'extincteur est vérifié régulièrement par un personnel qualifié.
- Toujours débrancher l'alimentation électrique lors de l'exploitation de l'appareil.
- Les travaux de maintenance et de réparation ne doivent être effectués que par un personnel qualifié, familiarisé avec les risques encourus et les directives pertinentes.
- Informez-vous comment mettre hors tension le disjoncteur ou le fusible en cas d'urgence.

## 2.2

### Précautions de sécurité lors de la manipulation d'alcool dénaturé



- Maintenir à distance des appareils de chauffage et de cuisine, ainsi que des sources de lumière et de chaleur, toutes les substances inflammables.
- Garder l'alcool dans des récipients adéquats uniquement et à une distance suffisante de la cuisinière.
- Eliminer toutes les sources potentielles d'étincelles et de flammes de l'endroit où l'alcool est stocké ou transvasé.
- Ne jamais remplir les réservoirs tant qu'ils se trouvent dans la cuisinière. Ne jamais verser de combustible dans les orifices des brûleurs sur le dessus de la cuisinière (fig. **1**, page 2).
- Le transvasement ou déversement d'alcool sur des objets très chauds peut causer de graves brûlures.
- L'alcool dénaturé brûle avec une flamme pratiquement invisible, ce qui peut causer de grands dommages avant même que le danger soit perçu.



- Nettoyer immédiatement tout alcool renversé afin d'éviter une combustion incontrôlable.
- Ne pas fumer durant la manipulation d'alcool ou l'exploitation de la cuisinière.
- Remplir le réservoir uniquement jusqu'à son niveau maximum. L'alcool se dilate dans le réservoir lorsqu'il est chauffé. Trop d'alcool peut causer une combustion incontrôlable à l'intérieur de la cuisinière.

### 2.3 Exploitation sûre de l'appareil



- Utiliser de longues allumettes ou briquets pour allumer le brûleur.  
Retirer rapidement sa main dès que le brûleur s'allume.
- Porter des vêtements appropriés lors de l'exploitation de la cuisinière.  
Ne pas porter de vêtements pouvant s'enflammer.



- Laisser la cuisinière refroidir à la température ambiante avant de la toucher avec les mains nues.
- Eviter la présence, dans la zone à proximité de la cuisinière et des composants intérieurs, de graisse, huile, substances alcoolisées, plastique ou tissus inflammables (par exemple rideaux, serviettes, ustensiles de cuisine).
- N'utiliser que des casseroles et poêles de diamètre maximal 23 cm.
- S'assurer que les casseroles et poêles sont bien positionnés lorsqu'on les utilise. Il est recommandé d'utiliser des supports pour casseroles (fig. 2, page 2, **accessoire**).
- Faire attention lorsque l'on chauffe de la graisse ou de l'huile. La graisse et l'huile peuvent s'enflammer lorsqu'elles sont exposées à des températures élevées.
- Utiliser des chiffons secs pour éviter la formation de vapeur. Ne pas utiliser de serviettes à la place des chiffons spéciaux de cuisine, car elles pourraient s'enflammer.
- Ne jamais laisser la cuisinière sans surveillance pendant qu'elle fonctionne. Les casseroles peuvent causer de la fumée et des incendies si elles débordent.



- Mettre le bouton de contrôle des brûleurs (fig. **2** 1, page 2) sur arrêt avant de retirer la casserole.
- Ne pas utiliser la cuisinière pour chauffer la pièce.
- **Dometic Origo 2500 et 4300 uniquement** : ne jamais utiliser de brûleurs à alcool et électrique simultanément afin d'éviter la surchauffe, laquelle peut détruire les éléments chauffants.
- **Dometic Origo 2500 et 4300 uniquement** : l'utilisation de brûleurs électriques à régime élevé et avec une casserole vide peut endommager la cuisinière.

### 3 Plan de livraison

- Cuisinière
- Joint pour réservoir

### 4 Accessoires

Description	N° d'article			
	2000	2500	4100	4300
Couvercle de verre	9103303990	–	9103303989	–
Support pour casserole	9103303981	–	9103303981	–
Planche à couper	9103303987	–	9103303986	–

### 5 Usage conforme

Les cuisinières Dometic ORIGO ont été conçues pour être utilisées dans des véhicules et des bateaux.

## 6 Description technique

### 6.1 Fonctionnement

La cuisinière est composée d'acier inoxydable et fonctionne sur le principe d'absorption. Le réservoir a une capacité de 1,2 l. De l'alcool dénaturé est utilisé comme combustible.

L'alcool est absorbé dans un matériau ininflammable dans le réservoir. La cuisinière n'est pas équipée de vanne ou de canalisation de combustible, lesquelles peuvent causer des fuites, ni d'autres composants exigeant un entretien régulier.

Les cuisinières Dometic ORIGO à alcool/électriques 2500 et 4300 sont équipées d'un élément chauffant de 230 V. Elles fonctionnent soit avec de l'alcool soit à 230 V.

### 6.2 Spécifications pour les variantes de l'appareil

Différentes versions de cuisinières sont disponibles.

- **2000 et 2500** : une unité de brûleur
- **4100 et 4300** : double unité de brûleur
- **2500 et 4300** : élément chauffant additionnel pour fonctionnement alternatif sur alimentation 230 V

La version de votre appareil est indiquée par le numéro d'article sur la plaque signalétique.

### 6.3 Éléments d'exploitation

Éléments pour exploitation de l'appareil avec alcool dénaturé (fig. 2, page 2):

N°	Description
1	Contrôle réglable en continu – Contrôle à fond à droite : brûleur fermé – Contrôle à fond à gauche : brûleur ouvert
2	Support pour casserole (accessoire)

Éléments pour exploitation de l'appareil avec alimentation 230 V (fig. 3, page 2)  
(Dometic ORIGO 2500 et 4300)

N°	Symbol e	Description
1		Voyants de réglage de puissance
2	+	Augmente la puissance de l'élément chauffant En combinaison avec le bouton « 0 <sub>тн</sub> » : allume l'élément chauffant
3	-	Baisse la puissance de l'élément chauffant
4	0 <sub>тн</sub>	Allume l'élément chauffant si l'on appuie sur le bouton « + » pendant les 10 s consécutives
5	0	Eteint l'élément chauffant

## 7 Montage de la cuisinière

La cuisinière peut être installée sur le comptoir de cuisine.

### 7.1 Sélection du lieu d'installation

Lors de la sélection du lieu d'installation, respecter les instructions suivantes :

- Choisir un endroit bien ventilé pour installer l'appareil.
- Éviter les courants d'air sur le lieu d'installation.  
Si la cuisinière est installée dans un poste de pilotage ouvert ou autres endroits à l'air libre, installer une protection anti-vent supplémentaire.
- Ne **pas** exploiter l'appareil dans des zones exposées à des dangers d'explosion.

### 7.2 Installation de la cuisinière



#### Attention – danger d'endommagement !

Avant de percer des alésages, s'assurer qu'aucun câble électrique ou autre pièce du véhicule ne puisse être endommagé par perçage, sciage ou limage.

- Découper un alésage rectangulaire dans le comptoir de cuisine (dimensions : voir tableau suivant) :

Modèle	Dimensions en mm
2000	345 x 320
2500	345 x 320
4100	575 x 320
4300	575 x 320

- Ouvrir le couvercle et enlever les réservoirs.
- Placer la cuisinière au milieu de l'orifice.
- Marquer les trous de perçage.  
Utiliser les trous de perçage au bord de la cuisinière comme gabarit.
- Pré-percer les alésages dans le comptoir là où se trouvent les marquages.

- Fixer la cuisinière en vissant des vis à tête fraisée à travers chacun des trous de perçage sur le bord.
- Placer un extincteur de classe B1 à distance de portée.

### 7.3 Brancher la cuisinière à l'électricité (Dometic ORIGO 2500 et 4300 uniquement)



#### **Attention ! Danger de blessures !**

Seul un spécialiste qualifié peut brancher la cuisinière. Les informations suivantes sont destinées à des techniciens familiarisés avec les directives et précautions de sécurité en vigueur.

Respecter les instructions de sécurité suivantes pour les connexions électriques :



#### ● **Attention, risque de court-circuit !**

Toujours utiliser des prises mises à la terre et sécurisées par des disjoncteurs de courant résiduel.

- Si des câbles doivent être passés au travers de murs métalliques ou autres parois à arêtes vives, utiliser des conduits ou tuyaux afin d'éviter tout endommagement.
- Ne pas placer de câbles non fixés ou tordus près de matériaux conducteurs d'électricité (métal).
- Fixer le câble de façon sûre.
- Ne pas tirer sur les câbles.
- Placer les câbles de façon à ce qu'ils ne puissent être écrasés ou endommagés accidentellement.

- Connecter la cuisinières au réseau électrique selon l'étiquette se trouvant sur l'appareil. Le câble noir L1 est le conducteur non mis à la terre.
- Sécuriser le câble à l'aide d'une attache.

## 8 Utilisation de la cuisinière

### 8.1 Remplissage d'alcool dénaturé



#### Attention ! Danger de blessures !

Ne jamais verser de combustible dans les orifices des brûleurs sur le dessus de la cuisinière (fig. **1**, page 2).

Le transvasement ou déversement d'alcool sur des objets très chauds peut causer de graves brûlures.

- S'assurer que tous les brûleurs sont éteints :
  - exploitation avec alcool dénaturé : mettre le bouton de contrôle à fond à droite
  - exploitation avec alimentation 230 V (**2500 et 4300 uniquement**) : éteindre les éléments chauffants
- S'assurer que la cuisinière s'est refroidie à température ambiante.
- Le cas échéant, retirer la planche à couper ou soulever le couvercle en verre (**accessoires**).
- Tirer le taquet vers l'avant (fig. **4**, page 3) et soulever le couvercle de la cuisinière.
- Vérifier l'ouverture du réservoir en contrôlant la présence de feu ou de lueur.
- Retirer le réservoir.
- Tenir le réservoir à l'envers (fig. **5**, page 3).
- Remplir d'alcool dénaturé au travers du treillis métallique par l'ouverture des réservoirs.  
La capacité maximale par réservoir ne doit pas dépasser 1,2 l.
- Vérifier le niveau de combustible en renversant le réservoir verticalement (fig. **6**, page 3).  
Le maintenir dans cette position pendant 20 s, pour s'assurer qu'il n'est pas trop rempli. De plus, en cas de surremplissage accidentel, il est ainsi possible de vider le surplus de combustible.
- ✓ Le niveau maximal de combustible est atteint quand celui-ci est visible au fond de l'ouverture.



### Remarque

La cuisinière fonctionne même si le réservoir n'est pas rempli au maximum de sa capacité.

- Essuyer l'alcool potentiellement renversé à l'extérieur du réservoir.
- Remettre le réservoir en place.
- Fermer le couvercle de la cuisinière et le sécuriser avec le taquet.

## 8.2 Allumage de la cuisinière



### Attention ! Danger de blessures !

Utiliser de longues allumettes ou briquets pour allumer le brûleur. Retirer rapidement sa main dès que le brûleur s'allume.

- Mettre le bouton de contrôle à fond à gauche.
- ✓ Le brûleur est ouvert.
- Allumer la cuisinière en plaçant une longue allumette ou un long briquet près de l'ouverture du brûleur (fig. 7, page 4).
- Ajuster la flamme de manière à ce qu'elle ne dépasse pas le bord de la casserole.
- Choisir la puissance désirée au moyen du contrôle.



### Remarque

Si la cuisinière ne s'est pas encore refroidie depuis l'usage précédent, il est possible que le brûleur s'allume et s'éteigne immédiatement. Dans ce cas, souffler dans l'ouverture du brûleur afin de dissiper la vapeur. Ensuite, allumer la cuisinière tel que décrit ci-dessus.

## 8.3 Extinction de la flamme

- Mettre le bouton de contrôle à fond à droite.
- ✓ Le brûleur est fermé.
- Attendre environ cinq secondes.
- Mettre le bouton de contrôle à fond à gauche pour s'assurer que la flamme est éteinte.

- ✓ Le brûleur est ouvert.
- Mettre le bouton de contrôle à fond à droite.
- ✓ Le brûleur est fermé.

## 8.4 Utilisation de l'élément chauffant (Domestic ORIGO 2500 et 4300 uniquement)



### Attention !


Ne jamais utiliser de brûleurs à alcool et électrique simultanément afin d'éviter la surchauffe, laquelle peut détruire les éléments chauffants.

- Le cas échéant, retirer la planche à couper ou soulever le couvercle en verre (**accessoires**).



### Remarque

Pour votre sécurité, la cuisinière se débranche du réseau électrique lorsque la planche à couper est remise en place ou que le couvercle de verre est refermé (**accessoires**).

- Pour allumer l'élément chauffant, appuyer sur le bouton «  » et **dans les 10 s** consécutives, le bouton « **+** ».
- Sélectionner la puissance souhaitée à l'aide des boutons « **+** » et « **-** ».

La puissance est réglée sur cinq positions et indiquée par les voyants (voir tableau ci-dessous).

Voyant (fig. 3 1, page 2)	Réglage de la puissance
Pas de voyant allumé	élément chauffant éteint
Voyant 1 allumé	20 %
Voyant 1 et voyant 2 allumés	40 %
Voyant 2 allumé	60 %
Voyant 2 et voyant 3 allumés	80 %
Voyant 3 allumé	100 %

La puissance change d'une position en appuyant sur les boutons, et maintenir les boutons appuyés change la puissance de plus d'une position.



- Pour éteindre l'élément chauffant, appuyer sur le bouton marqué du symbole « 0 ».
- Laisser la cuisinière refroidir à température ambiante avant de placer la planche à couper ou de fermer le couvercle en verre (**accessoires**).

## 8.5 Recouvrir le réservoir d'un joint

Afin d'éviter l'évaporation de l'alcool dénaturé, les brûleurs sont recouverts de joints caoutchouc quand la cuisinière n'est pas utilisée pendant longtemps.

- S'assurer que la cuisinière s'est refroidie à température ambiante.
- Le cas échéant, retirer la planche à couper ou soulever le couvercle en verre (**accessoires**).
- Tirer le taquet vers l'avant (fig. **4**, page 3) et soulever le couvercle de la cuisinière.
- Placer le joint au-dessus de l'ouverture du réservoir.
- Fermer le couvercle de la cuisinière et le sécuriser avec le taquet.



### Remarque

Retirer les joints avant d'utiliser la cuisinière.

## 9 Nettoyage et entretien de la cuisinière



### Attention

Ne pas employer d'objets coupants ou pointus pour le nettoyage, car ils pourraient endommager l'appareil.

- Retirer la grille du dessus de la cuisinière. Faire glisser pour ce faire le dispositif de retenue hors du trou et soulever la grille (fig. **8**, page 4).
- Nettoyer le dessus de la cuisinière. En particulier, éliminer avec soin la graisse et l'huile qui y adhèrent.
- **2500 et 4300 uniquement** : soulever l'élément chauffant jusqu'à sentir une résistance. Nettoyer la cuisinière en dessous de l'élément chauffant.

## 10 Garantie

Le délai légal de garantie s'applique. Si le produit s'avérait défectueux, veuillez vous adresser à la filiale du fabricant située dans votre pays (voir adresses au verso du présent manuel) ou à votre revendeur spécialisé.

Veuillez y joindre les documents suivants pour la gestion des réparations et de la garantie :

- une copie de la facture avec la date d'achat,
- le motif de la réclamation ou une description du dysfonctionnement.

## 11 Elimination

- Jetez les emballages dans les conteneurs de déchets recyclables prévus à cet effet.



Lorsque vous mettez votre appareil définitivement hors service, informez-vous auprès du centre de recyclage le plus proche ou auprès de votre revendeur spécialisé sur les prescriptions relatives au retraitement des déchets.

SVMB

## 12 Caractéristiques techniques

	Cuisinière Dometic ORIGO	
	2000	2500
N° d'article :	9103303884	–
Nombre de brûleurs :	1	
Durée de combustion :	approx. 4,5 h	
Puissance du brûleur :	2 000 W	
Puissance de l'élément chauffant :	–	1 150 W
Durée pour faire bouillir d'1 l d'eau :	10 min	
Capacité du réservoir :	1,2 l	
Dimensions (L x l x h) :	396 x 377 x 150 mm	
Poids :	5,8 kg	6,2 kg

	Cuisinière Dometic ORIGO	
	4100	4300
N° d'article :	9103303890	–
Nombre de brûleurs :	2	
Durée de combustion :	approx. 4,5 h	
Puissance du brûleur :	2 000 W	
Puissance de l'élément chauffant :	–	1 150 W / élément
Durée pour faire bouillir d'1 l d'eau :	10 min	
Capacité du réservoir :	1,2 l	
Dimensions (L x l x h) :	623 x 377 x 150 mm	
Poids :	8 kg	9,9 kg

Variations, améliorations techniques et options de livraisons réservées.

**Lea por favor con atención este manual antes de instalar y poner en marcha el aparato, y guárdelo en un lugar seguro. Si el aparato se traspasa a otra persona, este manual deberá entregarse con el aparato.**

## Índice

1	Notas relativas al uso de este manual . . . . .	53
2	Instrucciones generales de seguridad . . . . .	54
3	Volumen de entrega. . . . .	57
4	Accesorios . . . . .	57
5	Uso previsto . . . . .	57
6	Descripción técnica . . . . .	58
7	Montaje del hornillo . . . . .	60
8	Utilización del hornillo . . . . .	61
9	Limpieza y mantenimiento del hornillo . . . . .	65
10	Garantía . . . . .	66
11	Gestión de residuos . . . . .	66
12	Características técnicas . . . . .	67

# 1 Notas relativas al uso de este manual



**¡Advertencia!**

**Indicación de seguridad:** no observar estas indicaciones puede producir daños personales o materiales.



**¡Atención!**

**Indicación de seguridad:** la no observancia puede producir daños materiales y perjudicar el funcionamiento del aparato.



**¡Advertencia!**

**Indicación de seguridad** relativa a peligros resultantes de la corriente o tensión eléctricas: no observar estas indicaciones puede producir daños personales y materiales, y perjudicar el correcto funcionamiento del aparato.



**Nota**

Información adicional para el manejo de este aparato.

► **Paso a seguir:** este símbolo le indica que debe realizar un paso. Todos los procedimientos necesarios se describen paso a paso.

✓ Este símbolo describe el resultado de un paso realizado.

**fig. 1 5, página 3:** esta indicación hace referencia a un elemento de una figura, en este ejemplo a la "Posición 5 en la figura 1 de la página 3".

**Tenga en cuenta también las siguientes indicaciones de seguridad.**

## 2 Instrucciones generales de seguridad

El fabricante no se hace responsable de los daños causados como consecuencia de:

- errores de montaje o de conexión,
- desperfectos en el aparato debidos a influencias mecánicas o a sobretensiones,
- modificaciones realizadas en el aparato sin el expreso consentimiento del fabricante,
- utilización del aparato para fines distintos a los descritos en las instrucciones.

Cuando utilice aparatos eléctricos, observe las instrucciones básicas de seguridad siguientes para protegerse frente a:

- Descargas eléctricas
- Peligro de incendio
- Lesiones

### 2.1 Seguridad general



- Utilice únicamente alcohol desnaturalizado. **No** utilice otros combustibles como gasolina, diesel, metanol, propano o fluido encendedor de carbón.
- **¡Peligro de asfixia!**  
Antes de encender el aparato, asegúrese de que el área esté suficientemente ventilada.
- Coloque a su alcance un extintor de incendios de clase A (para fuegos producidos por el alcohol).  
Asegúrese de que el extintor sea controlado periódicamente por personal cualificado.
- Las personas cuyas capacidades físicas, sensoriales o mentales les puedan impedir utilizar de forma segura el aparato no deberán manejarlo sin la supervisión de un adulto responsable.
- **Los aparatos eléctricos no son juguetes**  
Mantenga los equipos eléctricos fuera del alcance de los niños o de personas con salud delicada. No permita que utilicen los equipos sin supervisión.



- Utilice el hornillo exclusivamente del modo previsto.

### Sólo para hornillos de alcohol/eléctricos Dometic ORIGO 2500 y 4300



- Coloque a su alcance un extintor de incendios de clase B-1 (para fuegos eléctricos). Asegúrese de que el extintor sea controlado periódicamente por personal cualificado.
- Desconecte siempre la alimentación eléctrica cuando esté trabajando sobre el aparato.
- Los trabajos de mantenimiento y reparación sólo deben ser realizados por personal cualificado que conozca los riegos existentes y las normas aplicables.
- Infórmese de cómo desconectar el disyuntor o el fusible en caso de emergencia.

## 2.2 Precauciones de seguridad en la manipulación del alcohol desnaturalizado



- Mantenga las sustancias inflamables lejos de los aparatos de calefacción o cocina y otras fuentes de luz y calor.
- Guarde el alcohol en depósitos adecuados y sólo a distancia suficiente del hornillo.
- Elimine cualquier fuente de chispas o llama del lugar de almacenamiento del alcohol.
- Nunca llene los cartuchos estando estos en el hornillo. Nunca extraiga el combustible por los orificios del quemador de la parte superior del hornillo (fig. **1**, página 2).
- Un llenado excesivo, el alcohol vertido y los objetos calientes pueden causar quemaduras graves.
- El alcohol desnaturalizado se quema produciendo una llama casi invisible, de forma que pueden producirse grandes daños antes de que advierta el peligro.



- Recoja inmediatamente todo el alcohol vertido para evitar una combustión incontrolada.
- No fume cuando manipule el alcohol o cuando maneje el hornillo.
- No llene el cartucho más allá de su capacidad máxima. Al calentarse, el alcohol se expande en el cartucho. Un llenado excesivo puede causar una combustión incontrolada dentro del hornillo.

## 2.3 Manejo seguro del aparato



- Use cerillas largas o mecheros largos para encender el hornillo. Retire rápidamente su mano en cuanto el quemador se encienda.
- Lleve ropa adecuada cuando maneje el hornillo. No lleve accesorios colgantes que puedan entrar en combustión.



- Antes de tocarlo con las manos descubiertas, espere a que el hornillo se enfríe hasta la temperatura ambiente.
- Mantenga el área circundante del hornillo y las piezas interiores sin grasas, sustancias alcohólicas, plásticos o tejidos inflamables (por ej., cortinas, toallas, utensilios de cocina).
- No utilice cazuelas y sartenes de más de 23 cm de diámetro.
- Cuando cocine, asegúrese de que las cazuelas y las sartenes estén en una posición estable. Es recomendable el uso de agarradores (fig. **2** 2, página 2, **accesorios**).
- Tenga cuidado al calentar grasa o aceite. La grasa y el aceite pueden entrar en combustión al estar expuestos a gran temperatura.
- Utilice únicamente agarradores secos para evitar la formación de vapor. No utilice toallas o similares en lugar de agarradores, ya que éstas pueden entrar en combustión.
- No deje nunca el hornillo sin vigilancia cuando esté cocinando. Si el contenido en ebullición de las cazuelas se sale éstas, puede producir humo y fuego.
- Ponga el mando del quemador (fig. **2** 1, página 2) en posición de apagado antes de retirar la cazuela.
- No utilice el hornillo para subir la temperatura ambiente.



- **Sólo para Dometic Origo 2500 y 4300:** nunca utilice simultáneamente el alcohol y los quemadores eléctricos para evitar un sobrecalentamiento que pueda destruir el elemento calefactor.
- **Sólo para Dometic Origo 2500 y 4300:** el funcionamiento de los quemadores eléctricos a alta temperatura sin haber sobre ellos una cazuela llena puede dañar el hornillo.

### 3 Volumen de entrega

- Hornillo
- Un tapón por cartucho

### 4 Accesorios

Descripción	Art. núm.			
	2000	2500	4100	4300
Tapa de vidrio	9103303990	–	9103303989	–
Agarrador	9103303981	–	9103303981	–
Tabla para cortar	9103303987	–	9103303986	–

### 5 Uso previsto

Los hornillos ORIGO de Dometic han sido diseñados para su uso en vehículos o embarcaciones.

## 6 Descripción técnica

### 6.1 Funcionamiento

El hornillo está hecho de acero inoxidable y utiliza el principio de absorción. El cartucho tiene una capacidad de 1,2 l. Como combustible utiliza el alcohol desnaturalizado.

El alcohol es absorbido por un material no inflamable contenido en el cartucho. No están equipados con una válvula o con conductos de combustible que puedan permitir fugas, o con otros componentes similares que requieran mantenimiento periódico.

Los hornillos ORIGO 2500 y 4300 de Dometic están equipados con un elemento calefactor de 230 V. Pueden funcionar alternativamente con alcohol o con 230 V.

### 6.2 Especificaciones de las variantes del aparato

Pueden adquirirse varias versiones del hornillo.

- **2000 y 2500:** unidad de un solo quemador
- **4100 y 4300:** unidad de dos quemadores
- **2500 y 4300:** elemento calefactor adicional para funcionamiento con la red de 230 V

Para saber cuál es su aparato vea su número de artículo en la placa de características.

### 6.3 Elementos de mando

**Elementos de mando para el funcionamiento con alcohol desnaturalizado (fig. 2, página 2):**

Núm.	Descripción
1	Control, regulable de forma continua – Control situado a la derecha del todo: quemador cerrado – Control situado a la izquierda del todo: quemador abierto
2	Agarrador ( <b>accesorios</b> )

**Elementos de mando para el funcionamiento con la red de 230 V (fig. 3, página 2)  
(ORIGO 2500 y 4300 de Dometic)**

Núm.	Símbolo	Descripción
1		LEDs de nivel de potencia
2	+	Incrementa el nivel de potencia del elemento calefactor. En combinación con el botón "O <sub>TM</sub> ": enciende el elemento calefactor.
3	-	Decrementa el nivel de potencia del elemento calefactor.
4	O <sub>TM</sub>	Enciende el elemento calefactor si se pulsa "+" en 10 s.
5	0	Apaga el elemento calefactor.

## 7 Montaje del hornillo

Puede empotrar el hornillo en la encimera de su cocina.

### 7.1 Selección del lugar de montaje

Cuando elija el lugar de montaje, siga las instrucciones siguientes:

- Seleccione para el aparato un lugar bien ventilado.
- Evite que haya corriente de aire en el lugar de montaje.  
Si instala el hornillo en una cabina abierta u otras zonas abiertas, monte una protección adicional contra el viento.
- **No** maneje el aparato en espacios que presenten peligro de explosión.

### 7.2 Instalación del hornillo



#### ¡Precaución! ¡Peligro de dañar el aparato!

Antes de realizar cualquier taladro, asegúrese de que no pueda dañar cables eléctricos u otras partes del vehículo al taladrar, serrar o lijar.

- Recorte en la encimera un orificio rectangular (dimensiones según la tabla siguiente):

Modelo	Dimensiones en mm
2000	345 x 320
2500	345 x 320
4100	575 x 320
4300	575 x 320

- Abra la parte superior y retire los cartuchos.
- Coloque el hornillo en el centro del recorte.
- Marque las perforaciones.  
Utilice como plantilla las perforaciones del borde del hornillo.
- Realice una perforación previa en los puntos marcados de la encimera.
- Fije el hornillo introduciendo tornillos de cabeza plana en cada perforación del borde.
- Coloque a su alcance un extintor de incendios de clase B-1.

### 7.3 Conexión eléctrica del hornillo (sólo Dometic ORIGO 2500 y 4300)



#### ¡Precaución! ¡Peligro de lesión!

El hornillo sólo debe ser conectado por un técnico cualificado. La información siguiente está destinada a técnicos que conozcan las normas y precauciones de seguridad aplicables.

Al realizar las conexiones eléctricas, siga las instrucciones de seguridad siguientes:



#### ● ¡Precaución! ¡Peligro de cortocircuito!

Utilice siempre cajas de enchufe que estén puestas a tierra y protegidas por disyuntores diferenciales.

- Cuando tenga que hacer pasar los cables a través de paredes metálicas o de otro tipo con bordes afilados, utilice conductos o tubos para evitar que se dañen.
- No tienda cables sueltos o doblados cerca de material conductor (metal).
- Fije firmemente los cables.
- No someta los cables a tracción.
- Tienda los cables de forma que no se pueda tropezar con ellos ni se puedan dañar.

- Conecte el hornillo a la red como indica la etiqueta que hay sobre el aparato. El hilo negro L1 es el conductor sin puesta a tierra.
- Fije el cable con una abrazadera.

## 8 Utilización del hornillo

### 8.1 Rellenar de alcohol desnaturalizado



#### ¡Precaución! ¡Peligro de lesión!

Nunca extraiga el combustible por los orificios del quemador de la parte superior del hornillo (fig. 1, página 2).

Un llenado excesivo, el alcohol vertido y los objetos calientes pueden causar quemaduras graves.

- Asegúrese de que todos los quemadores estén apagados:
    - Funcionamiento con alcohol desnaturalizado: deslice el mando hasta la derecha del todo.
    - Funcionamiento con la red de 230 V (**sólo 2500 y 4300**): apague los elementos calefactores.
  - Asegúrese de que el hornillo se haya enfriado hasta la temperatura ambiente.
  - En caso necesario, retire la tabla para cortar o levante la tapa de vidrio (ambos **accesorios**).
  - Tire del seguro hacia delante (fig. **4**, página 3) y levante la parte superior del hornillo.
  - Compruebe que en la boca del cartucho no haya fuego ni incandescencia.
  - Saque el cartucho.
  - Mantenga el cartucho inclinado hacia abajo (fig. **5**, página 3).
  - Rellene de alcohol desnaturalizado a través de la rejilla por la boca de los cartuchos.  
La capacidad máxima de un cartucho es de 1,2 l.
  - Compruebe el nivel de combustible poniendo el cartucho en vertical (fig. **6**, página 3).  
  
Mantenga esta posición durante 20 s para asegurarse de que no esté excesivamente lleno. En caso de que accidentalmente se haya llenado demasiado, puede extraer el exceso de combustible.
- ✓ El nivel máximo de combustible se alcanza cuando el combustible puede verse en el fondo de la boca.



**Aviso**

El hornillo funcionará aunque el cartucho no esté lleno hasta su capacidad máxima.

- Limpie del exterior del cartucho el alcohol que haya podido verterse.
- Cambie el cartucho.
- Cierre la parte superior del hornillo y fíjela con el seguro.

## 8.2 Encendido del hornillo



### ¡Precaución! ¡Peligro de lesión!

Para encender el hornillo utilice cerillas largas o encendedores largos.

Retire rápidamente su mano en cuanto el quemador se encienda.

- Deslice el mando hasta la izquierda del todo.
- ✓ El quemador está abierto.
- Encienda el hornillo poniendo una cerilla larga o un mechero largo junto a la abertura del quemador (fig. **7**, página 4).
- Ajuste la llama para que no sobresalga del borde de la cazuela.
- Seleccione un nivel de potencia con el mando.



### Aviso

Si el hornillo no se ha enfriado de un uso previo, el quemador puede encenderse y apagarse después inmediatamente. En ese caso, introduzca aire en la abertura del quemador para disipar el vapor.

Después, encienda el hornillo como se describe arriba.

## 8.3 Extinción de la llama

- Deslice el mando hasta la derecha del todo.
- ✓ El quemador está cerrado.
- Espere unos cinco segundos.
- Deslice el control hasta la izquierda del todo para asegurarse de que la llama se haya extinguido.
- ✓ El quemador está abierto.
- Deslice el mando hasta la derecha del todo.
- ✓ El quemador está cerrado.

### 8.4 Utilización del elemento calefactor (sólo Dometic ORIGO 2500 y 4300)



#### ¡Precaución!

Nunca utilice simultáneamente el alcohol y los quemadores eléctricos para evitar un sobrecalentamiento que pueda destruir el elemento calefactor.

- En caso necesario, retire la tabla para cortar o levante la tapa de vidrio (ambos **accesorios**).



#### Aviso

Para su seguridad, el hornillo se desconectará de la red cuando vuelva a colocar la tabla para cortar o cierre la tapa de vidrio (ambos **accesorios**).

- Para encender el elemento calefactor, pulse el botón “0” y, **en los 10 s siguientes**, el botón “+”.
- Seleccione el nivel de alimentación que desee con los botones “+” y “-”.

La alimentación se regula en cinco etapas indicadas por los LEDs (véase la tabla siguiente).

LED (fig. 3 1, página 2)	Nivel de potencia
No luce ningún LED.	El elemento calefactor está apagado.
Luce el LED 1.	20%
Lucen LED 1 y LED 2.	40%
Luce el LED 2.	60%
Lucen LED 2 y LED 3.	80%
Luce el LED 3.	100%

Al pulsar los botones, la potencia varía en un nivel; al mantenerlos pulsados varía en varios niveles.

- Para apagar el elemento calefactor, pulse el botón con el símbolo “0”.
- Deje que el hornillo se enfríe hasta la temperatura ambiente antes de colocar la tabla para cortar o cerrar la tapa de vidrio (ambos **accesorios**).



## 8.5 Cubrir el cartucho con un tapón

Para evitar la evaporación del alcohol desnaturalizado, los quemadores se cubren con tapones de goma cuando el hornillo no va a usarse durante un periodo prolongado.

- ▶ Asegúrese de que el hornillo se haya enfriado hasta la temperatura ambiente.
- ▶ En caso necesario, retire la tabla para cortar o levante la tapa de vidrio (ambos **accesorios**).
- ▶ Tire del seguro hacia delante (fig. **4**, página 3) y levante la parte superior del hornillo.
- ▶ Coloque el tapón sobre la boca del cartucho.
- ▶ Cierre la parte superior del hornillo y fjela con el seguro.



### Aviso

Retire los tapones antes de utilizar el hornillo.

## 9

## Limpieza y mantenimiento del hornillo



### Precaución

No use en la limpieza objetos afilados o duros ya que pueden dañar el aparato.

- ▶ Retire la parrilla de la parte superior del hornillo. Para ello, deslice el seguro hacia fuera del orificio y levante la parrilla (fig. **3**, página 4).
- ▶ Limpie la parte superior del hornillo. En especial, quite con cuidado la grasa adherida y el aceite.
- ▶ **Sólo para 2500 y 4300:** levante el elemento calefactor hasta que note cierta resistencia. Limpie el hornillo por debajo del elemento calefactor.

## 10 Garantía

Rige el plazo de garantía legal. Si el producto presenta algún defecto, diríjase a la sucursal del fabricante de su país (ver direcciones en el dorso de estas instrucciones) o a su establecimiento especializado.

Para la tramitación de la reparación y de la garantía debe enviar también los siguientes documentos:

- una copia de la factura con fecha de compra,
- el motivo de la reclamación o una descripción de la avería.

## 11 Gestión de residuos

- Deseche el material de embalaje en el contenedor de reciclaje correspondiente.



Cuando vaya a desechar definitivamente el aparato, infórmese en el centro de reciclaje más cercano o en un comercio especializado sobre las normas pertinentes de eliminación de materiales.

SVMB

## 12 Características técnicas

	<b>Hornillo Dometic ORIGO</b>	
	<b>2000</b>	<b>2500</b>
Art. núm.:	9103303884	–
Número de quemadores:	1	
Duración de la combustión:	aprox. 4,5 h	
Potencia del quemador:	2.000 W	
Potencia del elemento calefactor:	–	1.150 W
Tiempo de ebullición para 1 l de agua:	10 min	
Capacidad del cartucho:	1,2 l	
Dimensiones (L x A x H):	396 x 377 x 150 mm	
Peso:	5,8 kg	6,2 kg

	<b>Hornillo Dometic ORIGO</b>	
	<b>4100</b>	<b>4300</b>
Art. núm.:	9103303890	–
Número de quemadores:	2	
Duración de la combustión:	aprox. 4,5 h	
Potencia del quemador:	2.000 W	
Potencia del elemento calefactor:	–	1.150 W/elemento
Tiempo de ebullición para 1 l de agua:	10 min	
Capacidad del cartucho:	1,2 l	
Dimensiones (L x A x H):	623 x 377 x 150 mm	
Peso:	8 kg	9,9 kg

Queda reservado el derecho a realizar mejoras técnicas o de diseño, así como a modificar las opciones de entrega.

**Lees deze gebruiksaanwijzing zorgvuldig door voordat u het toestel installeert en inschakelt en bewaar deze op een veilige plek. Als het toestel wordt doorgegeven aan een andere persoon, moet ook deze gebruiksaanwijzing worden overhandigd.**

## Inhoudsopgave

1	Opmerkingen over het gebruik van de gebruiksaanwijzing . . . . .	69
2	Algemene veiligheidsaanwijzingen . . . . .	70
3	Leveringsomvang. . . . .	73
4	Toebehoren . . . . .	73
5	Gebruik volgens bestemming . . . . .	73
6	Technische beschrijving. . . . .	74
7	Kooktoestel opstellen. . . . .	76
8	Kooktoestel gebruiken . . . . .	78
9	Kooktoestel reinigen en onderhouden . . . . .	81
10	Garantie . . . . .	82
11	Afvoeren. . . . .	82
12	Technische gegevens . . . . .	83

# 1 Opmerkingen over het gebruik van de gebruiksaanwijzing



## Waarschuwing!

**Veiligheidsinstructie:** het niet in acht nemen hiervan kan materiële schade en lichamelijk letsel tot gevolg hebben.



## Voorzichtig!

**Veiligheidsinstructie:** het niet in acht nemen hiervan kan materiële schade tot gevolg hebben en de werking van het toestel beperken.



## Waarschuwing!

**Veiligheidsinstructie,** wijst op gevaren met betrekking tot elektrische stroom of elektrische spanning: het niet in acht nemen hiervan kan materiële schade en lichamelijk letsel tot gevolg hebben en de werking van het toestel beperken.



## Instructie

Aanvullende informatie voor het bedienen van het toestel.

► **Handeling:** dit symbool geeft aan dat u iets moet doen. De vereiste handelingen worden stap voor stap beschreven.

✓ Dit symbool beschrijft het resultaat van een handeling.

**afb. 1 5, pagina 3:** deze aanduiding wijst u op een element in een afbeelding, in dit voorbeeld op „positie 5 in afbeelding 1 op pagina 3”.

**Neem ook de volgende veiligheidsinstructies in acht.**

## 2 Algemene veiligheidsaanwijzingen

De fabrikant kan niet aansprakelijk gesteld worden voor schade veroorzaakt door:

- montage- of aansluitfouten
- beschadigingen aan het toestel door mechanische invloeden en overspanningen,
- veranderingen aan het toestel zonder uitdrukkelijke toestemming van de fabrikant,
- gebruik voor andere dan de in de handleiding beschreven toepassingen.

Neem de volgende algemene veiligheidsaanwijzingen in acht als u elektrische toestellen gebruikt om u te beschermen tegen:

- elektrische schok
- brandgevaar
- letsel

### 2.1 Algemene veiligheid



- Gebruik uitsluitend spiritus. Gebruik **geen** andere brandstoffen zoals benzine, diesel, methanol, propaan of aanmaakvloeistof voor houtskool.
- **Gevaar voor verstikking!**  
Voordat u het toestel in gebruik neemt, dient u voor voldoende ventilatie in de ruimte te zorgen.
- Zorg ervoor dat er een brandblusser van klasse A (voor spiritusbrand) in de buurt klaarstaat.  
Laat de brandblusser regelmatig controleren door gekwalificeerde personen.
- Personen die niet over de lichamelijke, sensorische of geestelijke vaardigheden beschikken om het toestel veilig te gebruiken mogen het toestel niet bedienen zonder toezicht van een verantwoordelijke volwassen persoon.
- **Elektrische toestellen zijn geen speelgoed**  
Houd elektrische toestellen buiten het bereik van kinderen of zwakbegaafde personen. Laat hen de toestellen niet gebruiken zonder toezicht.



- Gebruik het kooktoestel alleen volgens de bestemming.

### Enkel Dometic ORIGO spiritus-/elektrische kooktoestellen 2500 en 4300



- Zorg ervoor dat er een brandblusser van klasse B-1 (voor elektrische brand) in de buurt klaarstaat. Laat de brandblusser regelmatig controleren door gekwalificeerde personen.
- Verbreek altijd de stroomtoevoer als u het toestel gebruikt.
- Onderhouds- en reparatiewerkzaamheden mogen alleen worden uitgevoerd door gekwalificeerde personen die vertrouwd zijn met de risico's en de relevante richtlijnen.
- Informeer u over het uitschakelen van de stroomonderbreker of zekering in geval van nood.

## 2.2 Veiligheidsmaatregelen bij het gebruik van spiritus



- Houd ontvlambare stoffen uit de buurt van verwarmings- en kooktoestellen en andere licht- en warmtebronnen.
- Bewaar spiritus uitsluitend in geschikte verpakkingen en op voldoende afstand van het kooktoestel.
- Verwijder alle vonk- of vuurbronnen op plaatsen waar de spiritus wordt opgeslagen of gevuld.
- Vul de tanks nooit terwijl deze zich nog in het kooktoestel bevinden. Giet nooit brandstof door de pitopeningen aan de bovenzijde van het kooktoestel (afb. **1**, pag. 2).
- Overtollige, gemorste spiritus en hete voorwerpen kunnen ernstige brandwonden veroorzaken.
- Spiritus brandt met een vrijwel onzichtbare vlam, zodat er grote schade kan ontstaan voordat u het gevaar herkent.



- Wis gemorste spiritus meteen af om ongecontroleerd vuur te voorkomen.
- Rook niet als u de spiritus gebruikt of als u het kooktoestel bediend.
- Vul de tank enkel tot het maximale volume. Spiritus zet uit in de tank als deze verwarmd. Overstromende spiritus kan oncontroleerbaar vuur in het kooktoestel veroorzaken.

### 2.3 Het toestel veilig bedienen



- Gebruik lange lucifers of een lange aansteker om de pit aan te steken.  
Als de pit is aangestoken dient u uw hand snel weg te trekken.
- Draag geschikte kleding als u het kooktoestel gebruikt.  
Draag geen loshangende kledingstukken die vuur kunnen vatten.



- Laat het kooktoestel afkoelen tot de omgevingstemperatuur voordat u hem aanraakt met blote handen.
- Houd de ruimte om het kooktoestel en de onderdelen vrij van vet, alcoholische vloeistoffen, kunststoffen of ontvlambare doeken (bijvoorbeeld gordijnen, vaatdoeken, keukenmachines).
- Gebruik alleen potten en pannen met een maximale diameter van 23 cm.
- Zorg ervoor dat de potten en pannen veilig staan. Het gebruik van panhouders wordt aanbevolen (afb. **2** 2, pagina 2, **toebehoren**).
- Wees voorzichtig als u vet of olie verwarmd. Vet en olie kunnen vuur vatten als deze blootstaan aan grote hitte.
- Gebruik alleen droge pannenlappen om stoomvorming te voorkomen. Gebruik geen handdoeken of dergelijke in plaats van pannenlappen, aangezien deze vlam kunnen vatten.
- Laat het kooktoestel nooit onbeheerd als u kookt. Overkokende pannen kunnen rook en brand veroorzaken.
- Schakel de branderknoppen (afb. **2** 1, pagina 2) uit voordat u de pan verwijderd.
- Gebruik het kooktoestel niet om de ruimte te verwarmen.



- **Enkel Dometic Origo 2500 en 4300:** Gebruik de spiritus- en elektrische pitten niet tegelijkertijd om te voorkomen dat het toestel oververhit raakt en het verwarmingselement vernietigt.
- **Enkel Dometic Origo 2500 en 4300:** Het gebruik van elektrische pitten op een hoge stand zonder een gevulde pan kan het kooktoestel beschadigen.

### 3 Leveringsomvang

- Kooktoestel
- 1 pakking per tank

### 4 Toebehoren

Beschrijving	Artikelnr.			
	2000	2500	4100	4300
Glasdeksel	9103303990	–	9103303989	–
Panhouder	9103303981	–	9103303981	–
Snijplank	9103303987	–	9103303986	–

### 5 Gebruik volgens bestemming

De Dometic ORIGO kooktoestellen zijn ontworpen voor het gebruik in voertuigen en boten.

## 6 Technische beschrijving

### 6.1 Werking

Het kooktoestel is gemaakt van roestvrij staal en maakt gebruik van het absorptieprincipe. De tank heeft een volume van 1,2 l. Als brandstof wordt spiritus gebruikt.

Spiritus wordt geabsorbeerd in niet ontvlambaar materiaal in de tank. Het toestel is niet uitgerust met een brandstofventiel of brandstofleidingen, die kunnen lekken, of met andere dergelijke componenten die regelmatig moeten worden onderhouden.

De Dometic ORIGO spiritus-/elektrische kooktoestellen 2500 en 4300 zijn uitgerust met een 230 V verwarmingselement. Als alternatief kunnen de toestellen worden gebruikt met spiritus of 230 V.

### 6.2 Specificatie voor toestelvarianten

Er zijn verschillende uitvoeringen van het kooktoestel verkrijgbaar.

- **2000 en 2500:** met één pit
- **4100 en 4300:** met twee pitten
- **2500 en 4300:** extra verwarmingselement voor alternatief gebruik op 230 V stroomnetten

Voor de variant van uw toestel, zie het artikelnummer op het typeplaatje.

### 6.3 Bedieningselementen

**Bedieningselementen voor het gebruik met spiritus (afb. 2, pag. 2):**

Nr.	Beschrijving
1	Knop, traploos in te stelen – knop volledig naar rechts gedraaid: pit gesloten – knop volledig naar links gedraaid: pit geopend
2	Panhouder ( <b>toebehoren</b> )

**Bedieningselementen voor gebruik op 230 V stroomnet (afb. 3, pag. 2)  
(Dometic ORIGO 2500 and 4300)**

Nr.	Symbool	Beschrijving
1		Vermogen-LEDs
2	+	Verhoogt het vermogen van het verwarmingselement In combinatie met de knop „Oтн”: het verwarmingselement inschakelen
3	-	Verlaagt het vermogen van het verwarmingselement
4	Oтн	Inschakelen van het verwarmingselement als de knop „+” voor 10 s wordt ingedrukt
5	0	Uitschakelen het verwarmingselement

## 7 Kooktoestel opstellen

U kunt het kooktoestel op het aanrecht in uw keuken plaatsen.

### 7.1 Installatieplaats kiezen

Bij het kiezen van de installatieplaats dient u de volgende aanwijzingen in acht te nemen:

- Kies een goed geventileerde plaats voor het toestel.
- Voorkom tocht op de installatieplaats.  
Als u het kooktoestel in een open stuurhut plaatst of in een andere open ruimte breng dan een extra windscherm aan.
- Gebruik het toestel **niet** in een explosiegevaarlijke ruimte.

### 7.2 Het kooktoestel installeren



#### **Waarschuwing – Gevaar voor beschadiging van het toestel!**

Voordat u gaten gaat boren, controleert u eerst of er geen elektrische kabels of andere voertuigonderdelen kunnen worden beschadigd door boren, zagen of vullen.

- Snij een vierkant gat in het aanrecht (voor afmetingen, zie de tabel hieronder):

Model	Afmetingen in mm
2000	345 x 320
2500	345 x 320
4100	575 x 320
4300	575 x 320

- Open de bovenzijde en verwijder de tanks.
- Plaats het kooktoestel in het midden van de uitsnijding.
- Markeer de boorgaten.  
Gebruik de boorgaten aan de rand van het kooktoestel als sjabloon.
- Boor de gaten in het aanrecht op de markeringen.
- Bevestig het kooktoestel door schroeven met platte koppen door elk boorgat in de rand te schroeven.

- ▶ Plaats een brandblusser van klasse B-1 in de buurt.

### 7.3 Het kooktoestel elektrisch aansluiten (Enkel Dometic ORIGO 2500 en 4300)



#### Let op! Gevaar voor letsel!

Het kooktoestel mag alleen worden aangesloten door een gekwalificeerde specialist.

De volgende informatie is bedoeld voor elektromonteurs die vertrouwd zijn met de richtlijnen en de veiligheidsmaatregelen die moeten worden genomen.

Neem de volgende veiligheidsaanwijzingen in acht voor de elektrische aansluitingen:



#### ● Waarschuwing, risico van kortsluiting!

Gebruik alleen geaarde aansluitingen die zijn beveiligd door stroomonderbrekers voor reststroom.

- Gebruik kabelgoten en buizen als u de kabels door metalen wanden of andere wanden met scherpe randen voert.
- Leg geen losse of gebogen kabel naast elektrisch geleidend materiaal (metaal).
- Maak de kabels goed vast.
- Trek niet aan de kabels.
- Leg de kabels zo dat men er niet over kan struikelen of dat ze kunnen worden beschadigd.

- ▶ Sluit het kooktoestel aan op het stroomnet volgens het label op het toestel. De zwarte L1-draad is een niet geaarde geleider.
- ▶ Maak de kabel vast met een klem.

## 8 Kooktoestel gebruiken

### 8.1 Spiritus vullen



#### Let op! Gevaar voor letsel!

Giet nooit brandstof door de pitopeningen aan de bovenzijde van het kooktoestel (afb. **1**, pag. 2).

Overtollige, gemorste spiritus en hete voorwerpen kunnen ernstige brandwonden veroorzaken.

- Controleer of alle pitten zijn uitgeschakeld:
    - gebruik met spiritus: schuif de knop helemaal naar rechts
    - gebruik met 230 V-voeding (**enkel 2500 en 4300**): schakel de verwarmingselementen uit
  - Zorg ervoor dat het kooktoestel is afgekoeld tot kamertemperatuur.
  - Indien aanwezig verwijdert u de snijplank of tilt het glazen deksel op (beide **toebehoren**).
  - Trek het veerslotje naar voren (afb. **4**, pag. 3) en til de bovenzijde van het kooktoestel op.
  - Controleer de tankopening op vuur of gloeien.
  - Haal de tank eruit.
  - Kantel de tank omlaag (afb. **5**, pag. 3).
  - Vul de spiritus door het draadgaas in de opening van de tanks. Het maximale volume per tank mag niet worden overschreden 1,2 l.
  - Controleer het brandstofpeil door de tank verticaal op te tillen (afb. **6**, pag. 3).

Houd hem gedurende 20 s in deze positie en controleer of hij niet te vol is. Bovendien kunt u als de tank per ongeluk teveel gevuld is de overtollige brandstof verwijderen.
- ✓ Het maximale brandstofpeil is bereikt als de brandstof te zien is aan de onderzijde van de opening.



#### Opmerking

Het kooktoestel werkt ook als de tank niet is gevuld tot het maximale volume.

- Veeg eventueel gemorste spiritus van de buitenkant van de tank.

- Plaats de tank weer terug.
- Sluit de bovenzijde van het kooktoestel met het veerslotje.

## 8.2 Het kooktoestel aansteken



### Let op! Gevaar voor letsel!

Gebruik lange lucifers of een lange aansteker om de pit aan te steken.

Als de pit is aangestoken dient u uw hand snel weg te trekken.

- Schuif de knop helemaal naar links.
- ✓ De pit is geopend.
- Steek het kooktoestel aan door een lange lucifer of een lange aansteker tegen de pitopening te houden (afb. **7**, pag. 4).
- Stel de vlam zo in dat hij niet over de rand van de pan komt.
- Stel het gewenste vermogen in met de knop.



### Opmerking

Als het kooktoestel nog niet is afgekoeld van het vorige gebruik, kan de pit ontsteken maar meteen weer uitgaan. In dat geval blaast u lucht in de pitopening om de stoom te verwijderen.

Vervolgens steekt u het kooktoestel aan zoals hierboven beschreven.

## 8.3 Vlam doven

- Schuif de knop helemaal naar rechts.
- ✓ De pit is gesloten.
- Wacht ongeveer vijf seconden.
- Schuif de knop helemaal naar links om er zeker van te zijn dat de vlam is gedoofd.
- ✓ De pit is geopend.
- Schuif de knop helemaal naar rechts.
- ✓ De pit is gesloten.

### 8.4 Verwarmingselement gebruiken (Enkel Domestic ORIGO 2500 en 4300)



**Let op!**

Gebruik de spiritus- en elektrische pitten niet tegelijkertijd om te voorkomen dat het toestel oververhit raakt en het verwarmingselement vernietigt.

- Indien aanwezig verwijdert u de snijplank of tilt het glazen deksel op (beide **toebehoren**).



**Opmerking**

Voer uw veiligheid verbreekt het toestel de stroomtoevoer als u de snijplank plaatst of het glazen deksel sluit (beide **toebehoren**).

- Om het verwarmingselement in te schakelen duwt u de knop „0” en **binnen 10 s** op de knop „+”.
- Stel het gewenste vermogen in met de knoppen „+” en „-”.

Het vermogen wordt ingesteld in vijf niveaus die worden aangegeven door de LEDs (zie de tabel hieronder).

LED (afb. 3 1, pagina 2)	Ingesteld vermogen
De LEDs branden niet	het verwarmingselement staat uit
LED 1 brandt	20 %
LED 1 en LED 2 branden	40 %
LED 2 brandt	60 %
LED 2 en LED 3 branden	80 %
LED 3 brandt	100 %

Door op de knoppen te drukken verandert het ingestelde vermogen met één niveau, door de knoppen ingedrukt te houden wordt de instelling met meer dan één niveau gewijzigd.

- Om het verwarmingselement uit te schakelen drukt u op de knop naar het „0”-symbool.
- Laat het kooktoestel afkoelen tot kamertemperatuur voordat u de snijplank erop plaatst of het glazen deksel sluit (beide **toebehoren**).



## 8.5 Tank afdichten met pakking

Om te voorkomen dat de spiritus verdampt worden de pitten met een rubberen pakking afgesloten als het kooktoestel voor langere tijd niet wordt gebruikt.

- Zorg ervoor dat het kooktoestel is afgekoeld tot kamertemperatuur.
- Indien aanwezig verwijdert u de snijplank of tilt het glazen deksel op (beide **toebehoren**).
- Trek het veerslotje naar voren (afb. **4**, pag. 3) en til de bovenzijde van het kooktoestel op.
- Plaats de pakking over de tankopening.
- Sluit de bovenzijde van het kooktoestel met het veerslotje.



### Opmerking

Verwijder de pakking voordat u het kooktoestel gaat gebruiken.

## 9 Kooktoestel reinigen en onderhouden



### Let op

Gebruik geen scherpe of harde voorwerpen voor de reiniging. Deze kunnen het toestel beschadigen.

- Verwijder het rooster van de bovenzijde van het kooktoestel. Daarvoor schuift u de borgveer uit de opening en tilt het rooster op (afb. **3**, pag. 4).
- Reinig de bovenzijde van het kooktoestel. Verwijder vooral het vastzittende vet en de aangekoekte olie.
- **Enkel 2500 en 4300:** Til het verwarmingselement op tot u weerstand voelt. Reinig het kooktoestel onder het verwarmingselement.

## 10 Garantie

De wettelijke garantieperiode is van toepassing. Als het product defect is, wendt u zich tot het filiaal van de fabrikant in uw land (adressen zie achterkant van de handleiding) of tot uw speciaalzaak.

Voor de afhandeling van de reparatie of garantie dient u de volgende documenten mee te sturen:

- een kopie van de factuur met datum van aankoop,
- reden van de klacht of een beschrijving van de storing.

## 11 Afvoeren

► Laat het verpakkingsmateriaal indien mogelijk recycleren.



Als u het toestel definitief buiten bedrijf stelt, informeer dan bij het dichtstbijzijnde recyclingcentrum of uw speciaalzaak naar de betreffende afvoervoorschriften.

SVIB

## 12 Technische gegevens

	Dometic ORIGO kooktoestel	
	2000	2500
Artikelnr.:	9103303884	–
Aantal pitten:	1	
Brandtijd:	ongeveer 4,5 uur	
Vermogen van de brander:	2000 W	
Vermogen van het verwarmingselement:	–	1150 W
Kooktijd voor 1 l water:	10 min	
Tankvolume:	1,2 l	
Afmetingen (l x b x h):	396 x 377 x 150 mm	
Gewicht:	5,8 kg	6,2 kg

	Dometic ORIGO kooktoestel	
	4100	4300
Artikelnr.:	9103303890	–
Aantal pitten:	2	
Brandtijd:	ongeveer 4,5 uur	
Vermogen van de brander:	2000 W	
Vermogen van het verwarmingselement:	–	1150 W/element
Kooktijd voor 1 l water:	10 min	
Tankvolume:	1,2 l	
Afmetingen (l x b x h):	623 x 377 x 150 mm	
Gewicht:	8 kg	9,9 kg

Wijzigingen, technische verbeteringen en voorradigheid voorbehouden.

**Prima di effettuare l'installazione e la messa in funzione del dispositivo, leggere attentamente il presente manuale e conservarlo in un posto sicuro. Nel caso in cui l'apparecchio venga consegnato a un'altra persona, consegnare anche il presente manuale.**

## Indice

1	Indicazioni sull'uso del manuale di istruzioni . . . . .	85
2	Indicazioni generali di sicurezza . . . . .	86
3	Dotazione . . . . .	89
4	Accessori . . . . .	89
5	Uso conforme alla destinazione . . . . .	89
6	Descrizione delle caratteristiche tecniche . . . . .	90
7	Montaggio del fornello . . . . .	92
8	Uso del fornello . . . . .	94
9	Pulizia e manutenzione del fornello . . . . .	98
10	Garanzia . . . . .	99
11	Smaltimento . . . . .	99
12	Specifiche tecniche . . . . .	100

# 1 Indicazioni sull'uso del manuale di istruzioni



## Avvertenza!

**Indicazione di sicurezza:** la mancata osservanza di questa indicazione può causare danni a persone e apparecchi.



## Attenzione!

**Indicazione di sicurezza:** la mancata osservanza di questa indicazione può causare danni ai materiali e compromettere il funzionamento dell'apparecchio.



## Avvertenza!

**Indicazione di sicurezza** che indica pericoli riconducibili alla corrente o alla tensione elettrica: la mancata osservanza di questa indicazione può causare danni a persone o materiali e compromettere il funzionamento dell'apparecchio.



## Nota

Informazioni integranti relative all'impiego dell'apparecchio.

► **Modalità di intervento:** questo simbolo indica all'utente che è necessario un intervento. Le modalità di intervento necessarie saranno descritte passo dopo passo.

✓ Questo simbolo descrive il risultato di un intervento.

**fig. 1 5, pagina 3:** questi dati si riferiscono ad un elemento in una figura, in questo caso alla "posizione 5 nella figura 1 a pagina 3".

**Osservare anche le indicazioni di sicurezza riportate qui di seguito.**

## 2 Indicazioni generali di sicurezza

Il produttore non si assume nessuna responsabilità per danni risultanti dai seguenti punti:

- errori di montaggio o di allacciamento
- danni all'apparecchio dovuti ad influenze meccaniche o a sovratensioni,
- modifiche all'apparecchio senza esplicita autorizzazione del produttore,
- impiego per altri fini rispetto a quelli descritti nel manuale di istruzioni.

Quando vengono usati apparecchi elettrici, attenersi alle misure di sicurezza fondamentali descritte qui di seguito per proteggersi da:

- scosse elettriche
- pericolo di incendio
- ferite

### 2.1 Sicurezza generale



- Utilizzare solo alcool denaturato. **Non usare altri tipi di combustibile quali benzina, diesel, metanolo, propano o l'accenditore del carbone di legno.**
- **Pericolo di asfissia!**  
Prima di mettere in funzione l'apparecchio, assicurarsi che l'area sia sufficientemente ventilata.
- Posizionare un estintore di classe A (per incendi causati da alcool) in modo tale che risulti a portata di mano.  
Assicurarsi inoltre che esso venga controllato regolarmente da parte di personale qualificato.
- Persone che, a causa delle proprie capacità fisiche, sensoriali o mentali non siano in grado di utilizzare l'apparecchio in modo sicuro, devono evitare di utilizzarlo se non sotto la supervisione di una persona adulta per loro responsabile.
- **I dispositivi elettrici non sono giocattoli!**  
Tenere l'apparecchio fuori dalla portata di bambini o persone che non sono in grado di utilizzarlo. Non lasciare che usino l'apparecchio se non in presenza di una persona responsabile.



- Usare il fornello unicamente per l'uso conforme alla sua destinazione.

### Fornelli ad alcool/elettrici Dometic ORIGO solo 2500 e 4300



- Posizionare un estintore di classe B-1 (per incendi elettrici) in modo tale che risulti a portata di mano. Assicurarsi inoltre che esso venga controllato regolarmente da parte di personale qualificato.
- Quando si utilizza il dispositivo, scollegare sempre l'alimentazione elettrica.
- I lavori di manutenzione e di riparazione devono essere effettuati unicamente ad opera di personale qualificato informato sui pericoli connessi e sulle relative prescrizioni.
- Informarsi su come spegnere l'interruttore di circuito o il fusibile in caso di un'emergenza.

## 2.2

### Misure di sicurezza durante l'uso di alcool denaturato



- Mantenere le sostanze infiammabili lontano dai dispositivi di riscaldamento o di cottura, nonché da fonti di luce e calore.
- Conservare l'alcool in recipienti adatti e a distanza adeguata dal fornello.
- Eliminare tutte le fonti di scintille o fiamme dove viene conservato o riempito d'alcool.
- Non riempire mai i recipienti se sono ancora nel fornello. Non versare mai il combustibile attraverso le aperture del bruciatore sulla parte superiore del fornello (fig. 1, pagina 2).
- Nel caso in cui dovesse venir riempito troppo, l'alcool fuoriuscito a contatto con oggetti caldi può causare gravi ustioni.
- La fiamma dell'alcool denaturato risulta quasi invisibile; per questo motivo può essere causa di gravi danni, prima che si noti il pericolo.



- Pulire subito l'alcool fuoriuscito per evitare che bruci in modo incontrollato.
- Non fumare quando si lavora con l'alcool o quando il fornello è in funzione.
- Riempire il sebatoio solo fino al livello di riempimento massimo. L'alcool si espande nel sebatoio se riscaldato. L'alcool fuoriuscito potrebbe causare una combustione non controllabile all'interno del fornello.

## 2.3 Uso sicuro del dispositivo



- Usare dei lunghi fiammiferi o accenditori dalla forma allungata per accendere il bruciatore. Rimuovere velocemente la mano non appena il bruciatore si infiamma.
- Indossare vestiti adatti quando si usa il fornello. Non indossare indumenti svolazzanti che possono prendere fuoco.



- Lasciare che il fornello si raffreddi fino a raggiungere la temperatura ambiente prima di toccarlo a mani nude.
- Mantenere l'area attorno al fornello e le parti interne libere da lubrificanti, grasso, sostanze alcoliche, plastica o vestiti infiammabili (ad esempio tende, asciugamani, utensili da cucina).
- Usare solo pentole e padelle con un diametro massimo di 23 cm.
- Quando si cucina, assicurarsi che le pentole e le padelle siano posizionate in modo sicuro. Si consiglia l'uso di fermapentole (fig. 2 2, pagina 2, **accessorio**).
- Prestare attenzione quando si riscalda grassi o olio. I grassi e l'olio si infiammano se esposti a forti fonti di calore.
- Usare solo presine asciutte per evitare la formazione di vapore. Non usare asciugamani o oggetti in tessuto in quanto potrebbero prendere fuoco.
- Non lasciare i fornelli incustoditi quando si cucina. Le pentole che bollono sul fuoco possono causare l'emissione di fumo e incendi.



- Portare il regolatore del bruciatore (fig. **2** 1, pagina 2) in posizione di spegnimento prima di rimuovere la padella.
- Non usare il fornello per riscaldare l'ambiente.
- **Solo Dometic Origo 2500 e 4300:** non usare alcool o bruciatori elettrici contemporaneamente per prevenire il surriscaldamento che può portare alla distruzione dell'elemento riscaldante.
- **Solo Dometic Origo 2500 e 4300:** il funzionamento di bruciatori elettrici impostati su un'alta potenza senza che vi sia posizionata una pentola piena, possono danneggiare il fornello.

### 3 Dotazione

- Fornello
- Guarnizione per il sebatoio

### 4 Accessori

Descrizione	Art. n.			
	2000	2500	4100	4300
Copertura in vetro	9103303990	–	9103303989	–
Fermapentole	9103303981	–	9103303981	–
Tagliere	9103303987	–	9103303986	–

### 5 Uso conforme alla destinazione

I fornelli Dometic ORIGO sono progettati per l'uso all'interno di veicoli o barche.

## 6 Descrizione delle caratteristiche tecniche

### 6.1 Funzione

Il fornello è in acciaio inox ed è stato progettato in base al principio di assorbimento. Il sebatoio ha una capacità di 1,2 l di alcool denaturato che viene usato come combustibile.

L'alcool viene assorbito in un materiale non infiammabile nel sebatoio. Non predispongono di una valvola o condotti del combustibile (essi infatti potrebbero presentare perdite) oppure altri componenti che potrebbero richiedere una manutenzione regolare.

I fornelli Dometic ORIGO ad alcool/elettrici 2500 e 4300 sono dotati di un elemento riscaldante a 230 V. Essi possono essere messi in esercizio con alcool o a 230 V.

### 6.2 Specifiche per le varianti del dispositivo

Sono disponibili diversi modelli di fornelli.

- **2000 e 2500:** unità con bruciatore singolo
- **4100 e 4300:** unità con doppio bruciatore
- **2500 e 4300:** ulteriori elementi riscaldanti per un uso alternativo alla rete di alimentazione da 230 V

Per definire il proprio apparecchio, vedere il numero dell'articolo sulla targhetta identificatrice.

### 6.3 Elementi di comando

**Elementi di comando per l'uso con alcool denaturato (fig. 2, pagina 2):**

N.	Descrizione
1	Regolatore, impostabile in modo continuo – Regolatore impostato completamente verso destra: bruciatore chiuso – Regolatore impostato completamente verso sinistra: bruciatore aperto
2	Fermapentole ( <b>accessorio</b> )

**Elementi di comando per l'uso con rete di alimentazione da 230 V (fig. 3, pagina 2) (Dometic ORIGO 2500 e 4300)**

N.	Simbolo	Descrizione
1		LED di regolazione della potenza
2	+	Aumenta la temperatura dell'elemento riscaldante In combinazione con il pulsante "0": accende l'elemento riscaldante
3	-	Diminuisce la temperatura dell'elemento riscaldante
4	0	Accende l'elemento riscaldante se viene premuto il pulsante "+" entro 10 sec
5	0	Spegne l'elemento riscaldante

## 7 Montaggio del fornello

È possibile inserire il fornello nel piano da lavoro della cucina.

### 7.1 Come scegliere il luogo per l'installazione

Quando si sceglie il luogo per l'installazione, tenere presente quanto segue:

- Selezionare un luogo ben ventilato.
- Evitare di installare il dispositivo in un luogo dove sono presenti correnti d'aria.  
Se si inserisce il fornello in un in abitacolo o altri posti aperti, montare un'ulteriore protezione dal vento.
- **Non** mettere in funzione il dispositivo in luoghi soggetti al pericolo di esplosione.

### 7.2 Installazione del fornello



#### Attenzione – Pericolo di danni al dispositivo!

Prima di effettuare perforazioni, assicurarsi che nessun cavo elettrico o altri componenti del veicolo vengano danneggiati dall'uso di trapani, seghe e lime.

- Eseguire un foro rettangolare nel piano da lavoro (per le dimensioni, consultare la seguente tabella):

Modello	Dimensioni in mm
2000	345 x 320
2500	345 x 320
4100	575 x 320
4300	575 x 320

- Aprire la parte superiore e rimuovere i recipienti.
- Posizionare il fornello all'interno del foro quadrangolare.
- Contrassegnare i fori.  
Utilizzare i fori sul bordo del fornello come modello.
- Pre-perforare i fori contrassegnati nel piano da lavoro.
- Fissare il fornello con viti a testa piatta in ogni foro del bordo.

- Posizionare un estintore (classe B-1) a portata di mano.

### 7.3 Collegare il fornello a una fonte elettrica (solo Dometic ORIGO 2500 e 4300)



#### Attenzione! Pericolo di ferite!

Il fornello può venire collegato solo da specialisti qualificati. Le seguenti informazioni si rivolgono a tecnici specializzati a conoscenza delle direttive e delle disposizioni sulla sicurezza da adottare.

Osservare le seguenti indicazioni di sicurezza per il collegamento elettrico:



#### ● **Attenzione, pericolo di cortocircuito!**

Usare sempre prese a massa e assicurate da interruttori di circuito di corrente residua.

- Se si intende far passare i cavi attraverso pareti in lamiera o a spigoli vivi, usare condotti o canaline per evitare danni.
- Non posare cavi in modo malfermo o con forti pieghe sui materiali che conducono elettricità (metallo).
- Fissare bene i cavi.
- Non tirare i cavi.
- Posare i cavi in modo che non sussista pericolo di inciampo e che non vengano danneggiati.

- Collegare il fornello alla rete di alimentazione come da etichetta posta sul dispositivo. L1 nero è un conduttore non a massa.
- Assicurare il cavo con un morsetto.

## 8 Uso del fornello

### 8.1 Riempimento con alcool denaturato



#### Attenzione! Pericolo di ferite!

Non versare mai il combustibile attraverso le aperture del bruciatore sulla parte superiore del fornello (fig. **1**, pagina 2). Nel caso in cui dovesse venir riempito troppo, l'alcool fuoriuscito a contatto con oggetti caldi può causare gravi ustioni.

- Assicurarsi che tutti i bruciatori siano spenti:
  - uso con alcool denaturato: far scorrere il regolatore completamente verso destra
  - funzionamento alla rete di alimentazione da 230 V (**solo 2500 e 4300**): spegnere gli elementi riscaldanti
- Assicurarsi che i fornelli si raffreddi a temperatura ambiente.
- Se possibile, rimuovere il tagliere oppure alzare la copertura in vetro (entrambi **accessori**).
- Tirare in avanti il gancio di arresto (fig. **4**, pagina 3) e sollevare la parte superiore del fornello.
- Controllare l'apertura del serbatoio per assicurarsi che non sia presente fuoco o fiamme.
- Estrarre il serbatoio.
- Tenere il serbatoio inclinato verso il basso (fig. **5**, pagina 3).
- Riempire con alcool denaturato attraverso la rete metallica nell'apertura del serbatoio.  
Non superare la capacità massima del serbatoio (1,2 l).
- Controllare il livello di combustibile portando il serbatoio in posizione verticale (fig. **6**, pagina 3).  
Tenerlo in questa posizione per 20 sec, per assicurarsi che non sia troppo pieno. Inoltre, nel caso in cui sia stato riempito troppo, è possibile togliere il combustibile in eccesso.
- ✓ Si raggiunge il livello massimo di combustibile quando il combustibile è visibile sulla parte inferiore dell'apertura.



**Avviso**

Il fornello funziona anche se il sebatoio non è stato riempito al livello massimo.

- Pulire l'alcool che potrebbe essere fuoriuscito dal sebatoio.
- Rimettere in posizione il sebatoio.
- Chiudere la parte superiore del fornello e assicurarla con il gancio di arresto.

## 8.2 Accensione del fornello



**Attenzione! Pericolo di ferite!**

Usare dei lunghi fiammiferi o accenditori dalla forma allungata per accendere il bruciatore.

Togliere rapidamente la mano non appena il bruciatore si infiamma.

- Far scorrere il regolatore completamente verso sinistra.
- ✓ Il bruciatore è aperto.
- Accendere il fornello posizionando un lungo fiammifero o un accenditore dalla forma allungata all'apertura del bruciatore (fig. 7, pagina 4).
- Regolare la fiamma in modo che non si estenda oltre il bordo del fondo della pentola.
- Con il regolatore, scegliere l'impostazione desiderata.



**Avviso**

Se il fornello non si è ancora raffreddato dall'uso precedente, il bruciatore potrebbe accendersi per poi spegnersi subito. In questo caso, soffiare nell'apertura del bruciatore per disperdere il vapore. Accendere poi il fornello come descritto sopra.

### 8.3 Come spegnere la fiamma

- Far scorrere il regolatore completamente verso destra.
- ✓ Il bruciatore è chiuso.
- Attendere circa cinque secondi.
- Far scorrere il regolatore completamente verso sinistra per assicurarsi che la fiamma sia spenta.
- ✓ Il bruciatore è aperto.
- Far scorrere il regolatore completamente verso destra.
- ✓ Il bruciatore è chiuso.

### 8.4 Uso dell'elemento riscaldante (solo Dometic ORIGO 2500 e 4300)



#### Attenzione!

Non usare alcool o bruciatori elettrici contemporaneamente per prevenire il surriscaldamento che può portare alla distruzione dell'elemento riscaldante.

- Se possibile, rimuovere il tagliere oppure alzare la copertura in vetro (entrambi **accessori**).



#### Avviso

Per la vostra sicurezza, il fornello si scollega dalla rete di alimentazione quando si posiziona il tagliere o si chiude la copertura in vetro (entrambi **accessori**).

- Per accendere l'elemento riscaldante, premere il pulsante "O-TT" ed **entro 10 sec** il pulsante "+".



- Selezionare l'impostazione della potenza desiderata con i pulsanti "+" e "-".

La potenza viene regolata in cinque livelli e viene indicata dai LED (vedi tabella sottostante).

LED (fig. 3 1, pagina 2)	Impostazione della potenza
LED spenti	l'elemento riscaldante è spento
LED 1 acceso	20%
LED 1 e LED 2 sono accesi	40%
LED 2 acceso	60%
LED 2 e LED 3 sono accesi	80%
LED 3 acceso	100%

Premendo una volta i pulsanti è possibile modificare l'impostazione della potenza passando al livello precedente o successivo, tenendo premuti i pulsanti è possibile modificare l'impostazione per più di un livello.

- Per spegnere l'elemento riscaldante, premere il pulsante con il simbolo "0".
- Lasciare che il fornello si raffreddi fino a raggiungere la temperatura ambiente, prima di porvi sopra il tagliere o prima di abbassare la copertura in vetro (entrambi **accessori**).

## 8.5 Chiusura del serbatoio con la guarnizione

Se non si intende utilizzare il fornello per un lungo periodo di tempo, per evitare che l'alcool denaturato evapori, ricoprire i bruciatori con guarnizioni in gomma.

- Assicurarsi che il fornelli si raffreddi a temperatura ambiente.
- Se possibile, rimuovere il tagliere oppure alzare la copertura in vetro (entrambi **accessori**).
- Tirare in avanti il gancio di arresto (fig. **4**, pagina 3) e sollevare la parte superiore del fornello.
- Posizionare la guarnizione sopra l'apertura del serbatoio.
- Chiudere la parte superiore del fornello e assicurarla con il gancio di arresto.



### Avviso

Rimuovere le guarnizioni prima di usare il fornello.

## 9

## Pulizia e manutenzione del fornello



### Attenzione

Non usare utensili affilati o duri per pulire il fornello, in quanto potrebbero danneggiarlo.

- Rimuovere la griglia dalla parte superiore del fornello. Per fare ciò, far scorrere il fermo oltre il foro e alzare la griglia (fig. **8**, pagina 4).
- Pulire la parte superiore del fornello. Pulire con cura particolare macchie di grasso e olio.
- **Solo 2500 e 4300:** alzare l'elemento riscaldante finché si avverte una resistenza. Pulire il fornello al di sotto dell'elemento riscaldante.

## 10 Garanzia

Vale il termine di garanzia previsto dalla legge. Qualora il prodotto risultasse difettoso, La preghiamo di rivolgersi alla filiale del produttore del suo Paese (l'indirizzo si trova sul retro del manuale di istruzioni), oppure al rivenditore specializzato di riferimento.

Per la riparazione e per il disbrigo delle condizioni di garanzia è necessario inviare la seguente documentazione:

- una copia della fattura con la data di acquisto del prodotto,
- un motivo su cui fondare il reclamo, oppure una descrizione del guasto.

## 11 Smaltimento

- Raccogliere il materiale di imballaggio possibilmente negli appositi contenitori di riciclaggio.



Quando l'apparecchio viene messo fuori servizio definitivamente, informarsi al centro di riciclaggio più vicino, oppure presso il proprio rivenditore specializzato, sulle prescrizioni adeguate concernenti lo smaltimento.

## 12 Specifiche tecniche

	Fornello Dometic ORIGO	
	2000	2500
Art. n.:	9103303884	–
Numero di bruciatori:	1	
Durata di combustione:	circa 4,5 h	
Potenza del bruciatore:	2.000 W	
Potenza dell'elemento riscaldante:	–	1.150 W
Tempo di cottura per 1 l d'acqua:	10 min	
Capacità del serbatoio:	1,2 l	
Dimensioni (L x P x A):	396 x 377 x 150 mm	
Peso:	5,8 kg	6,2 kg

	Fornello Dometic ORIGO	
	4100	4300
Art. n.:	9103303890	–
Numero di bruciatori:	2	
Durata di combustione:	circa 4,5 h	
Potenza del bruciatore:	2.000 W	
Potenza dell'elemento riscaldante:	–	1.150 W/elemento
Tempo di cottura per 1 l d'acqua:	10 min	
Capacità del serbatoio:	1,2 l	
Dimensioni (L x P x A):	623 x 377 x 150 mm	
Peso:	8 kg	9,9 kg

Con riserva di modifiche tecniche, di versione e opzioni di fornitura.

## Dometic ORIGO

---

**Ole hyvä ja lue tämä käsikirja huolellisesti ennen laitteen asentamista ja käyttöön ottamista ja talleta se varmaan paikkaan. Jos laite luovutetaan toiselle henkilölle, tämä käsikirja tulee antaa sen mukana.**

## Sisällysluettelo

1	Käsikirjan käyttöä koskevia huomautuksia . . . . .	102
2	Yleiset turvallisuusohjeet . . . . .	102
3	Toimituskokonaisuus . . . . .	106
4	Lisävarusteet . . . . .	106
5	Käyttötarkoitus . . . . .	106
6	Tekninen kuvaus . . . . .	106
7	Keittimen asentaminen . . . . .	108
8	Keittimen käyttäminen . . . . .	110
9	Keittimen puhdistaminen ja ylläpito . . . . .	113
10	Takuu . . . . .	114
11	Hävittäminen . . . . .	114
12	Tekniset tiedot . . . . .	115

# 1 Käsikirjan käyttöä koskevia huomautuksia



## Varoitus!

**Turvallisuusohje:** Noudattamatta jättäminen voi johtaa henkilö- tai materiaalivaurioihin.



## Huomio!

**Turvallisuusohje:** Noudattamatta jättäminen voi johtaa materiaalivaurioihin ja haitata laitteen toimintaa.



## Varoitus!

**Turvallisuusohje,** joka viittaa sähkövirrasta ja -jännitteestä johtuviin vaaroihin: Noudattamatta jättäminen voi johtaa henkilö- tai materiaalivaurioihin ja haitata laitteen toimintaa.



## Ohje

Laitteen käyttöä koskevia lisätietoja.

- **Menettely:** Tämä symboli ilmaisee, että sinun tulee tehdä jotakin. Tarvittava menettely kuvataan askel askeleelta.

✓ Tämä symboli kuvailee menettelyn tuloksen.

**kuva 1 5, sivulla 3:** Tämä tieto viittaa kuvassa olevaan elementtiin, tässä esimerkissä ”kohteeseen 5 kuvassa 1, sivulla 3”.

**Noudata myös seuraavia turvallisuusohjeita.**

## 2 Yleiset turvallisuusohjeet

Valmistaja ei ota mitään vastuuta seuraavista syistä johtuvista vaurioista:

- asennus- tai liitännävirheet
- laitteeseen mekaanisen vaikutuksen tai ylijännitteen takia syntyneet vauriot,
- laitteeseen ilman valmistajan nimenomaista lupaa tehdyt muutokset,
- käyttö muuhun kuin käyttöohjeessa ilmoitettuun tarkoitukseen.

Ole hyvä ja ota sähkölaitteita käyttäessäsi huomioon seuraavat turvallisuustiedot, jotka suojelevat:

- Sähköiskulta
- Tulipaloilta
- Loukkaantumiselta

## 2.1 Yleinen turvallisuus



- Käytä vain denaturoitua spriiä. **Älä** käytä muita polttoaineita kuten bensiiniä, dieseliä, metanolia, propaania tai sytytysnestettä.
- **Tukehtumisvaara!**  
Varmista ennen laitteen käynnistämistä, että alue on riittävästi tuuletettu.
- Sijoita A-luokan sammutin (spriikeittimille) etäisyydelle, josta se voidaan tavoittaa.  
Varmista, että pätevä henkilökunta tarkastaa sammuttimen säännöllisesti.
- Henkilöiden, joiden fyysinen, sensorinen tai henkinen kyvykyys estää heitä käyttämästä tätä laitetta turvallisesti, ei tulisi käyttää sitä muutoin kuin vastuullisen aikuisen valvonnassa.
- **Sähkölaitteet eivät ole leikkikaluja**  
Pidä sähkölaitteet lasten tai heikkokuntoisten henkilöiden ulottumattomissa. Älä anna heidän käyttää laitteita ilman valvontaa.
- Käytä keitintä vain sen käyttötarkoitukseen.



## Vain Dometic ORIGO sprii-/sähkökeittimet 2500 ja 4300



- Sijoita B-1-luokan sammutin (sähkökeittimille) etäisyydelle, josta se voidaan tavoittaa. Varmista, että pätevä henkilökunta tarkastaa sammuttimen säännöllisesti.
- Irrota virransyöttö aina, kun teet laitteeseen liittyviä töitä.
- Kunnossapito- ja korjaustöitä saa suorittaa ainoastaan pätevä henkilökunta, joka tuntee työhön liittyvät riskit ja asiaankuuluvat säännökset.
- Selvitä itsellesi, miten katkaisin tai sulake kytketään pois päältä hätätapauksessa.

## 2.2 Denaturoidun spriin käsittelyä koskevat turvatoimenpiteet



- Pidä syttyvät materiaalit kaukana lämmitys- ja keittolaitteista ja muista valo- ja lämpölähteistä.
- Säilytä spriitä ainoastaan sopivissa astioissa riittävän kaukana keittimestä.
- Eliminoi kaikki kipinälähteet tai liekit alueilta, joilla spriitä säilytetään tai täytetään.
- Älä koskaan täytä kanistereita niiden ollessa yhä paikallaan keittimessä. Älä koskaan kaada polttoainetta lieden yläpuolelta polttimen reikiin (kuva **1**, sivulla 2).
- Ylitäyttäminen, roiskunut sprii ja kuumat kappaleet voivat aiheuttaa vakavia palovammoja.
- Denaturoitu sprii palaa lähes näkymättömällä liekillä, joten suuri vaurio voi syntyä jo ennen kuin edes huomaat vaaraa.



- Pyyhi kaikki roiskunut sprii välittömästi pois hallitsemattoman palamisen estämiseksi.
- Älä tupakoi käsitellessäsi spriitä tai käyttäessäsi keitintä.
- Täytä kanisteri vain maksimivetoisuuteen asti. Sprii laajenee lämmitessään kanisterissa. Spriin ylitäyttäminen voi johtaa hallitsemattomaan palamiseen keittimen sisällä.



## 2.3 Laitteen turvallinen käyttäminen



- Käytä pitkiä tulitikkuja tai pitkiä sytyttimiä polttimen sytyttämiseen.  
Vedä kätesi nopeasti pois heti, kun poltin syttyy.
- Käytä keitintä käyttäessäsi asianmukaista vaatetusta.  
Älä käytä roikkuvia asusteita, jotka voivat syttyä palamaan.



- Anna keittimen jäähtyä ympäristön lämpötilaan ennen kuin kosketat sitä paljain käsin.
- Pidä keitintä ympäröivä alue ja sisätilat vapaina rasvasta, eläinrasvasta, alkoholipitoisista aineista, muovista tai syttyivistä tekstiileistä (esimerkiksi verhot, pyyhkeet, keittiötarvikkeet).
- Käytä vain kattiloita ja pannuja, joiden maksimihalkaisija on 23 cm.
- Varmista ruokaa valmistaessasi, että pannut ja kattilat ovat turvallisesti paikoillaan. On suositeltavaa käyttää kattilapidikkeitä (kuva **2** 2, sivulla 2, **lisävaruste**).
- Ole varovainen kuumentaessasi rasvaa tai öljyä. Rasva ja öljy syttyvät tuleen, jos ne altistetaan suurelle kuumuudelle.
- Käytä vain kuivia pannulappuja höyryn muodostumisen estämiseksi. Älä käytä pyyhkeitä tai vastaavia pannulappuina, koska ne voivat syttyä tuleen.
- Älä koskaan ruokaa laittaessasi jätä keitintä vaille valvontaa. Yli kiehuvat kattilat voivat synnyttää savua ja tulipaloja.
- Aseta polttimen säädin (kuva **2** 1, sivulla 2) pois-asentoon ennen kuin otat kattilan pois.
- Älä käytä keitintä ympäristön lämmittämiseen.
- **Vain Dometic Origo 2500 ja 4300:** Älä koskaan käytä sprii -ja sähköpoltinta samanaikaisesti. Näin estät ylikuumentumisen, joka voi tuhota lämmityselementin.
- **Vain Dometic Origo 2500 ja 4300:** Sähköpoltinten käyttäminen korkealla tehoasetuksella ilman täyttä kattilaa voi vahingoittaa keitintä.

### 3 Toimituskokonaisuus

- Keitin
- Tiiviste per kanisteri

### 4 Lisävarusteet

Kuvaus	Tuote nro			
	2000	2500	4100	4300
Lasikansi	9103303990	–	9103303989	–
Kattilapidike	9103303981	–	9103303981	–
Leikkuulauta	9103303987	–	9103303986	–

### 5 Käyttötarkoitus

Dometic ORIGO -keittimet on suunniteltu käytettäväksi ajoneuvoissa tai veneissä.

### 6 Tekninen kuvaus

#### 6.1 Toiminta

Keitin on valmistettu ruostumattomasta teräksestä ja siinä sovelletaan imeytysperiaatetta. Kanisterin tilavuus on 1,2 l. Polttoaineena käytetään denaturoitua spriiä.

Sprii imeytetään kanistereissa olevaan palamattomaan materiaaliin. Niissä ei ole ole varusteena polttoaineventtiiliä tai polttoainejohtimia, joihin voi syntyä vuotoja tai muita vastaavia, säännöllistä huoltoa vaativia komponentteja.

Dometic ORIGO sprii-/sähkökeittimissä 2500 ja 4300 on varusteena 230 V -lämmityselementti. Niitä voidaan käyttää vaihtoehtoisesti sprillä tai 230 V -jännitteellä.

## 6.2 Laitemuunnelmien spesifikaatiot

Saatavissa on erilaisia keitinmuunnelmia.

- **2000 ja 2500:** yksipolttiminen yksikkö
- **4100 ja 4300:** kaksipolttiminen yksikkö
- **2500 ja 4300:** lisälämmityselementti vaihtoehtoiseen käyttöön 230 V -jännitteellä

Laitteesi tyyppin määrittelemiseksi katso tyyppikilven tuotenumeroa.

## 6.3 Käyttölaitteet

**Käyttölaitteet laitteen käyttämiseen denaturoidulla sprillä (kuva 2, sivulla 2):**

Nro	Kuvaus
1	Säädin, portaattomasti säädettävä – Säädin täysin oikealla: poltin kiinni – Säädin täysin vasemmalla: poltin auki
2	Kattilapidike ( <b>lisävaruste</b> )

**Käyttölaitteet laitteen käyttämiseen 230 V -jännitteellä (kuva 3, sivulla 2)  
(Dometic ORIGO 2500 ja 4300)**

Nro	Symboli	Kuvaus
1		Tehoasetuksen LED-valot
2	+	Lämmityselementin tehoasetuksen suurentaminen Yhdessä painikkeen "O-TT" kanssa: Lämmityselementin päälle kytkeminen
3	-	Lämmityselementin tehoasetuksen pienentäminen
4	O-TT	Lämmityselementin sammuttaminen, kun painiketta "+" painetaan 10 s kuluessa
5	0	Lämmityselementin sammuttaminen

## 7 Keittimen asentaminen

Voit sovittaa keittimen keittiösi pöytätasoon.

### 7.1 Asennuspaikan valitseminen

Noudata seuraavia ohjeita valitessasi asennuspaikkaa:

- Valitse laitteelle hyvin tuuletettu paikka.
- Vältä vetoa asennuspaikassa.  
Jos asennat keittimen avoimeen hyttiin tai muuhun avoimeen paikkaan, asenna lisätulisuoja.
- Älä käytä laitetta tiloissa, joissa on vallitsee räjähdysvaara.

### 7.2 Keittimen asentaminen



#### Huomio – Laitteen vaurioitumisen vaara!

Varmista ennen reikien poraamista, että poraaminen, sahaaminen ja viilaaminen ei vahingoita sähköjohtoja tai muita ajoneuvon osia.

- Sahaa pöytätasoon nelikulmainen reikä (katso mitat seuraavasta taulukosta):

Malli	Mitat millimetreinä
2000	345 x 320
2500	345 x 320
4100	575 x 320
4300	575 x 320

- Avaa kansi ja ota kanisterit pois.
- Aseta keitin keskelle reikää.
- Merkitse porauskohdat.  
Käytä porattuja reikiä keittimen reunassa sapluunana.
- Tee esiporaukset pöytätasoon merkittyihin kohtiin.
- Kiinnitä keitin ruuvaamalla litteäkantaiset ruuvit kaikkien reunan reikien läpi.
- Sijoita B-1-luokan sammutin etäisyydelle, josta se voidaan tavoittaa.

### 7.3 Keittimen sähköinen liittäminen (vain Dometic ORIGO 2500 ja 4300)



#### **Huomio! Loukkaantumisvaara!**

Vain pätevä erikoismies saa liittää keittimen.

Seuraavat tiedot on tarkoitettu teknikoille, jotka tuntevat sovellettavat ohjeet ja turvatoimenpiteet.

Noudata sähköliitäntöjä tehtäessä seuraavia turvallisuusohjeita:



#### ● **Huomio, oikosulkuvaara!**

Käytä aina maadoitettuja ja vikavirtakatkaisijoilla varustettuja pistorasioita.

- Jos joudut vetämään johtoja metalliseinien tai muiden teräväreunaisten seinien läpi, käytä siihen vahinkojen estämiseksi läpivientikappaleita tai putkia.
- Älä aseta irrallisia tai taivutettuja johtoja sähköisesti johtavien materiaalien lähelle (metalli).
- Kiinnitä johdot varmasti.
- Älä vedä johdoista.
- Aseta johdot siten, että niihin ei voi kompastua ja ne eivät voi vaurioitua.

- Liitä keitin verkkojännitteeseen, joka vastaa laitteessa olevaa merkkiä. Musta L1-johdin on maadoittamaton johdin.
- Kiinnitä johto klemmarilla.

## 8 Keittimen käyttäminen

### 8.1 Denaturoidun spriiin täyttäminen



#### **Huomio! Loukkaantumisvaara!**

Älä koskaan kaada polttoainetta liedien yläpuolelta polttimen reikiin (kuva **1**, sivulla 2).

Ylitäyttäminen, roiskunut sprii ja kuumat kappaleet voivat aiheuttaa vakavia palovammoja.

- Varmista, että kaikki polttimet ovat pois päältä:
  - käyttö denaturoidulla spriiillä: liu'uta säädin täysin oikealle
  - käyttö 230 v -jännitteellä (**vain 2500 ja 4300**): lämmityselementtien sammuttaminen
- Varmista, että keitin on jäähtynyt huonelämpötilaan.
- Jos sellainen on käytössä, poista leikkuulauta tai nosta lasikansi (molemmat **lisävarusteita**).
- Vedä säppeä eteenpäin (kuva **4**, sivulla 3) ja nosta keittimen kantta.
- Tarkista kanisterin aukko ja varmista, että siinä ei näy liekkiä tai hehkua.
- Ota kanisteri ulos.
- Pidä kanisteria alas kallistettuna (kuva **5**, sivulla 3).
- Täytä denaturoitua spriiä kanisterin aukon lankaverkon läpi. Maksimitilavuus per kanisteri ei saa ylittää 1,2 litraa.
- Tarkasta polttoaineen määrä kääntämällä kanisteri pystysuoraan (kuva **6**, sivulla 3).

Pidä se tässä asennossa 20 s varmistaaksesi, että sitä ei ole ylitäytetty. Lisäksi pääset näin vahingossa sattunen ylitäyttämisen yhteydessä eroon ylimääräisestä polttoaineesta.
- ✓ Polttoaineen maksimitaso on saavutettu, kun polttoaine näkyy aukon alareunassa.



#### **Huomautus**

Keitin toimii, vaikka kanisteria ei ole täytetty maksimimäärään.

- Pyyhi mahdollisesti roiskunut sprii kanisterin ulkopuolelta.

- Aseta kanisteri paikalleen.
- Sulje keittimen kansi ja varmista se säpillä.

## 8.2 Keittimen sytyttäminen



### Huomio! Loukkaantumisvaara!

Käytä polttimen sytyttämiseen pitkiä tulitikkuja tai sytyttimiä. Vedä kätesi nopeasti pois heti, kun poltin syttyy.

- Liu'uta säädin kokonaan vasemmalle.
- ✓ Poltin on auki.
- Sytytä keitin asettamalla pitkä tulitikku tai pitkä sytytin polttimen aukkoon (kuva **7**, sivulla 4).
- Säädä liekki siten, että se ei ylety kattilan reunan yli.
- Valitse haluttu tehoasetus säätimen avulla.



### Huomautus

Jos keitin ei ole jäähtynyt edellisestä käytöstä, poltin saattaa syttyä mutta sammua välittömästi. Puhalla tässä tapauksessa ilmaa polttimen aukkoon höyryn hajottamiseksi. Sytytä keitin myöhemmin yllä kuvatulla tavalla.

## 8.3 Liekin sammuttaminen

- Liu'uta säädin kokonaan oikealle.
- ✓ Poltin on kiinni.
- Odota noin viisi sekuntia.
- Liu'uta säädin kokonaan vasemmalle varmistaaksesi, että liekki on sammunut.
- ✓ Poltin on auki.
- Liu'uta säädin kokonaan oikealle.
- ✓ Poltin on kiinni.

## 8.4 Lämmityselementin käyttäminen (vain Dometic ORIGO 2500 ja 4300)



### Huomio!

Älä koskaan käytä sprii -ja sähköpoltinta samanaikaisesti. Näin estät ylikuumentumisen, joka voi tuhota lämmityselementin.

- Jos sellainen on käytössä, poista leikkuulauta tai nosta lasikansi (molemmat **lisävarusteita**).



### Huomautus

Turvallisuutesi vuoksi keitin katkaisee verkkojännitteen, jos asetat leikkuulaudan paikalleen tai suljet lasikannen (molemmat **lisävarusteita**).

- Lämmityselementin kytkemiseksi päälle paina painiketta "0-III" ja **10 s** sisällä painiketta "+".
- Valitse haluttu tehoasetus painikkeilla "+" ja "-".

Teho on säädettävissä viisiportaisesti ja se osoitetaan LED-valoilla (kts. alla oleva taulukko).

LED (kuva 3 1, sivulla 2)	Tehoasetus
Yksikään LED-valo ei pala	lämmityselementti on pois päältä
LED 1 palaa	20 %
LED 1 ja LED 2 palavat	40 %
LED 2 palaa	60 %
LED 2 ja LED 3 palavat	80 %
LED 3 palaa	100 %

Painikkeiden painaminen muuttaa tehoasetusta yhden portaan, painikkeiden pitäminen painettuina muuttaa tehoasetusta enemmän kuin yhden portaan.

- Lämmityselementin kytkemiseksi pois päältä paina "0"-symbolia.
- Anna keittimen jäähtyä huonelämpötilaan ennen kuin asetat leikkuulaudan paikalleen tai suljet lasikannen (molemmat **lisävarusteita**).



## 8.5 Kanisterin peittäminen tiivisteellä

Denaturoidun spriin haihtumisen estämiseksi polttimet peitetään kumisilla tiivisteillä, jos keitintä ei käytetä pitkään aikaan.

- Varmista, että keitin on jäähtynyt huonelämpötilaan.
- Jos sellainen on käytössä, poista leikkuulauta tai nosta lasikansi (molemmat **lisävarusteita**).
- Vedä säppeä eteenpäin (kuva **4**, sivulla 3) ja nosta keittimen kantta.
- Aseta tiiviste kanisterin aukon päälle.
- Sulje keittimen kansi ja varmista se säpillä.



### Huomautus

Poista tiivisteet ennen keittimen käyttämistä.

## 9 Keittimen puhdistaminen ja ylläpito



### Huomio

Älä käytä puhdistamiseen teräviä tai kovia esineitä, koska se voi vahingoittaa laitetta.

- Ota ritilä pois keittimen päältä. Liu'uta tätä varten pidätin pois reiästä ja nosta ritilä (kuva **8**, sivulla 4).
- Puhdista keittimen yläpinta. Poista erityisesti tahmea rasva ja öljy.
- **Vain 2500 ja 4300:** Nosta lämmityselementtiä, kunnes tunnet vastuksen. Puhdista keitin lämmityselementin alta.

## 10 Takuu

Laitetta koskee lakisääteinen takuu-aika. Jos tuote sattuu olemaan viallinen, käänny maasi valmistajan toimipisteen puoleen (osoitteet käyttöohjeen takasivulla) tai ota yhteyttä omaan ammattikauppiaseesi.

Korjaus- ja takuukäsittelyä varten lähetä mukana seuraavat asiakirjat:

- kopio ostolaskusta, jossa näkyy ostopäivä,
- valitusperuste tai vikakuvaus.

## 11 Hävittäminen

- Vie pakkausmateriaali mahdollisuuksien mukaan vastaavan kierrätysjätteen joukkoon.



Jos poistat laitteen lopullisesti käytöstä, ota selvää laitteen hävittämistä koskevista määräyksistä lähimmässä kierrätyskeskuksessa tai kauppiasi luona.

# SVIB

## 12 Tekniset tiedot

	Dometic ORIGO -keitin	
	2000	2500
Tuote nro:	9103303884	–
Poltinten määrä:	1	
Palamisen kesto:	noin 4,5 h	
Polttimen teho:	2000 W	
Lämmityselementin teho:	–	1150 W
Keittoaika 1 litralle vettä:	10 min	
Kanisterin tilavuus:	1,2 l	
Mitat (P x L x K):	396 x 377 x 150 mm	
Paino:	5,8 kg	6,2 kg

	Dometic ORIGO -keitin	
	4100	4300
Tuote nro:	9103303890	–
Poltinten määrä:	2	
Palamisen kesto:	noin 4,5 h	
Polttimen teho:	2000 W	
Lämmityselementin teho:	–	1150 W/elementti
Keittoaika 1 litralle vettä:	10 min	
Kanisterin tilavuus:	1,2 l	
Mitat (P x L x K):	623 x 377 x 150 mm	
Paino:	8 kg	9,9 kg

Oikeus muunnelmiin, teknisiin parannuksiin ja toimitusoptioihin pidätetään.

**Läs igenom den här bruksanvisningen noga innan apparaten installeras och används; förvara den på ett säkert ställe. Lämna även över bruksanvisningen om apparaten lämnas vidare till en tredje person.**

## Innehållsförteckning

1	Använda bruksanvisningen . . . . .	117
2	Allmänna säkerhetsanvisningar . . . . .	117
3	Leveransinnehåll . . . . .	120
4	Tillbehör . . . . .	120
5	Ändamålsenlig användning . . . . .	121
6	Teknisk beskrivning . . . . .	121
7	Montera köket . . . . .	123
8	Använda köket . . . . .	125
9	Rengöring och skötsel . . . . .	128
10	Garanti . . . . .	129
11	Avfallshantering . . . . .	129
12	Teknisk data . . . . .	130

# 1 Använda bruksanvisningen



## Varning!

**Säkerhetsanvisning:** om anvisningarna inte beaktas kan det leda till person- och materialskador.



## Observera!

**Säkerhetsanvisning:** om säkerhetsanvisningarna inte beaktas kan det leda till materialskador och systemets funktion kan påverkas negativt.



## Varning!

**Säkerhetsanvisning,** som upplyser om risker med elektrisk ström och elektrisk spänning: om anvisningarna inte beaktas kan det leda till person- och materialskador och systemets funktion kan påverkas negativt.



## Anvisning

Kompletterande information om användning av apparaten.

► **Arbetssteg:** denna symbol står framför en arbetsinstruktion. Tillvägagångssättet beskrivs steg för steg.

✓ Denna symbol står framför beskrivningen av resultatet.

**bild 1 5, sidan 3:** anger en detalj på en bild, i detta exempel "position 5 på bild 1 på sidan 3".

**Beakta även nedanstående säkerhetsanvisningar.**

## 2 Allmänna säkerhetsanvisningar

Tillverkaren övertar inget ansvar för skador som uppstår p.g.a. följande:

- monterings- eller anslutningsfel
- skador på apparaten, orsakade av mekanisk påverkan eller överspänning,
- ändringar som utförts utan uttryckligt medgivande från tillverkaren,
- ej ändamålsenlig användning.

Följ nedanstående allmänna säkerhetsanvisningar vid användning av elektriska anordningar. När anvisningarna följs förhindras:

- elektriska stötar
- brandrisk
- personskador

## 2.1 Allmänna säkerhetsanvisningar



- Använd endast denaturerad alkohol. Använd **aldrig** andra sorters bränsle som t.ex. bensin, diesel, metanol, propan eller tändvätska för träkol.
- **Kvävningsrisk!**  
Se alltid till att platsen där apparaten ska användas är väl ventilerad.
- Se till att det finns en brandsläckare, klass A (för bränder som involverar alkohol) inom räckhåll.  
Brandsläckaren ska vara kontrollerad av behörig person.
- Personer, som på grund av nedsatt fysisk, sensorisk eller mental förmåga inte kan använda anordningen på ett säkert sätt, ska endast använda den under uppsikt av en annan, vuxen person som har kännedom om både apparaten och riskerna som är förbundna med den.
- **Elektriska apparater är inga leksaker**  
Se till att elektriska apparater placeras utom räckhåll för barn. Låt inte barn använda apparaterna utan uppsikt.
- Använd endast köket för avsett ändamål.



### Endast för Dometic ORIGO sprit-/elkök 2500 och 4300



- Se till att det finns en brandsläckare, klass B-1 (för bränder som involverar elektriska apparater) inom räckhåll.  
Brandsläckaren ska vara kontrollerad av behörig person.
- Koppla alltid bort strömmen innan arbeten utförs på enheten.
- Underhåll och reparationer får endast utföras av behörig personal/verkstad, som har kännedom om gällande bestämmelser och förekommande risker.
- Ta reda på hur man fränkopplar strömbrytaren eller säkringen i nödfall.

## 2.2 Säkerhetsåtgärder vid hantering av denaturerad alkohol



- Förvara inte antändliga material och vätskor i närheten av värmaggregat, spritkök (o.dyl.) eller andra värmekällor.
- Förvara spriten i lämpliga behållare och på säkert avstånd från köket.
- Undvik gnistbildning och öppna lågor där spriten förvaras eller fylls på i behållaren.
- Fyll aldrig på behållaren när den sitter i köket. Håll aldrig bränsle genom brännaröppningarna upptill på köket (bild **1**, sida 2).
- Överfyllnad, utspild sprit och heta föremål innebär brandrisk och risk för allvarliga brännskador.
- Denaturerad alkohol brinner med nästan osynlig låga; det kan därför uppstå mycket farliga situationer redan innan man blir medveten om faran.



- Torka genast upp utspild sprit; på så sätt förhindrar man att det börjar brinna okontrollerat.
- Rök inte under hanteringen med sprit eller när köket används.
- Fyll endast på behållaren till angiven max. mängd. Spriten expanderar i behållaren när den värms upp. För stor spritmängd kan leda till att det börjar brinna okontrollerat i köket.

## 2.3 Säker användning



- Använd långa tändstickor eller långa tändare för att tända brännaren.  
Dra snabbt undan handen när brännaren har tänts.
- Använd lämplig klädsel när du hanterar med köket.  
Bär inte vida klädesplagg som kan fatta eld.



- Låt köket svalna till omgivningstemperatur innan du tar i det.
- Se till att det inte finns stekfett, olja, alkoholiska lösningar, plastmaterial eller andra antändliga material (t.ex. gardiner, handdukar, köksredskap) i närheten.
- Använd inte kastruller eller stekpannor som är större än 23 cm.

- Se till att kastrullerna och stekpannorna står säkert på köket när det används. Vi rekommenderar att kastrullhållare används (bild **2** 2, sida 2, **tillbehör**).
- Var försiktig vid uppvärmning av stekfett eller olja. Stekfett och olja börjar brinna vid hög värme.
- Använd endast torra grytlappar för att förhindra ångbildning. Använd inte handdukar eller liknande material som kan fatta eld.
- Låt aldrig köket stå utan uppsikt när det används. Innehållet i kastrullen kan koka över och orsaka rök och brand.
- Ställ brännarens reglage (bild **2** 1, sida 2) på "av"-läget innan kastrullen tas bort från köket.
- Använd aldrig spritköket som värmekälla.
- **Endast för Dometic Origo 2500 och 4300:** använd aldrig spritbrännaren och elbrännaren samtidigt – det kan leda till överhettning som skadar värmeelementet.
- **Endast för Dometic Origo 2500 och 4300:** om elbrännaren slås på och ställs in på hög effekt medan kastrullen är tom kan det leda till att köket skadas.

### 3 Leveransinnehåll

- Kök
- Skydd per behållare

### 4 Tillbehör

Beskrivning	Artikelnummer			
	2000	2500	4100	4300
Glaslock	9103303990	–	9103303989	–
Kastrullhållare	9103303981	–	9103303981	–
Skärbräda	9103303987	–	9103303986	–



## 5 Ändamålsenlig användning

Dometic ORIGO-kök är avsedda att användas i fordon och på båtar.

## 6 Teknisk beskrivning

### 6.1 Funktion

Köket är tillverkat i rostfritt stål och fungerar enligt absorptionsprincipen. Behållaren rymmer 1,2 l. Denaturerad alkohol används som bränsle.

Sprit absorberas av ett icke-antändligt material i behållaren. Köken har inga bränsleventiler eller bränsleledningar som kan bli otäta. De har inga komponenter som kräver regelbundet underhåll.

Dometic ORIGO sprit-/elkök 2500 och 4300 är utrustade med ett 230 V-värmeelement. De kan användas med sprit eller 230 V.

### 6.2 Varianter

Det finns olika varianter av köken.

- **2000 och 2500:** enkelbrännare
- **4100 och 4300:** dubbelbrännare
- **2500 och 4300:** extra värmeelement för användning med 230 V

Artikelnumret finns på typskylten.

### 6.3 Reglage, tillbehör

**Reglage och tillbehör för användning med denaturerad alkohol (bild 2, sida 2):**

Nr	Beskrivning
1	Reglage, steglös inställning – Reglaget i höger läge: brännaren stängd – Reglaget i vänster läge: brännaren öppen
2	Kastrullhållare (tillbehör)

**Reglage för användning med 230 V (bild 3, sida 2) (Dometic ORIGO 2500 och 4300)**

Nr	Symbol	Beskrivning
1		Lysdioder, effektinställning
2	+	Ökar effekten hos värmeelementet I kombination med knappen "0-10": slår på värmeelementet
3	-	Sänker effekten hos värmeelementet
4	0-10	Slår på värmeelementet; knappen "+" ska tryckas ned inom 10 s
5	0	Stänger av värmeelementet

## 7 Montera köket

Utrustningen kan installeras på arbetsskivan i köket.

### 7.1 Välja installationsplats

Observera följande anvisningar när du väljer installationsplats:

- Utrustningen ska ställas upp på en väl ventilerad plats.
- Undvik luftdrag på installationsplatsen.  
Om köket monteras i en öppen styrhytt, eller på ett annat öppet område, ska ett extra vindskydd monteras.
- Använd **inte** utrustningen i utrymmen där det föreligger explosionsrisk.

### 7.2 Installera köket



#### Varning – risk för skador på utrustningen!

Innan hålen borras: se till att inga kablar eller andra komponenter på fordonet kan skadas av borrning, sågning och filning.

- Såga ut ett rektangulärt hål på arbetsskivan (mått, se nedanstående tabell):

Modell	Mått i mm
2000	345 x 320
2500	345 x 320
4100	575 x 320
4300	575 x 320

- Öppna ovandelen och tag bort behållarna
- Sätt in köket i mitten av den utsågade öppningen.
- Markera borrhålen.  
Använd hålen på kökets fals som mall.
- Förborra hålen på arbetsskivan enligt markeringarna.
- Sätt fast köket genom att skruva in skruvar med platt huvud i borrhålen på falsen.
- En brandsläckare klass B-1 ska finnas inom räckhåll.

### 7.3 Elektrisk anslutning (endast Dometic ORIGO 2500 och 4300)



#### **Varning! Risk för personskador!**

Köket får endast anslutas av behörig installatör.

Nedanstående anvisningar riktar sig till installatörer som har kännedom om tillämpliga bestämmelser och säkerhetsåtgärder.

Observera följande säkerhetsanvisningar vid anslutningen:



#### ● **Varning – risk för kortslutning!**

Använd endast jordade uttag som säkras genom jordfelsbrytare (RCB).

- Om kablarna måste dras genom metallväggar eller öppningar med vassa kanter, ska tomma rör/kabelkanaler användas för att skydda kablarna.
- Dra inte lösa eller böjda kablar direkt intill elektriskt ledande material (metall).
- Sätt fast kabeln på ett säkert sätt.
- Dra inte i kablarna.
- Dra kablarna så att man inte kan snubbla över dem och så att de inte kan skadas.

- Anslut köket till elnätet enligt uppgifterna som anges på utrustningen. Den svarta L1 är den ojordade ledaren.
- Säkra kabeln med en klämma.

## 8 Använda köket

### 8.1 Fylla på denaturerad alkohol



#### **Varning! Risk för personskador!**

Håll aldrig bränsle genom brännaröppningarna upptill på köket (bild **1**, sida 2).

Överfullnad, utspild sprit och heta föremål innebär brandrisk och risk för allvariga brännskador.

- Se till att alla brännare är avstängda:
    - användning med denaturerad alkohol: skjut reglaget till höger stoppläge
    - användning med 230 volt (endast **2500 och 4300**): stäng av värmeelementen
  - Se till att köket har svalnat så att det har rumstemperatur.
  - Ta, i förekommande fall, bort skärbrädan eller ta av locket (**tillbehör**).
  - Dra spärren framåt (bild **4**, sida 3) och lyft upp ovandelen.
  - Kontrollera behållarens öppning så att det inte finns någon låga eller glöd.
  - Ta ut behållaren.
  - Håll behållaren nedåtlutande (bild **5**, sida 3).
  - Fyll på denaturerad alkohol i behållaren genom trädgallret. Fyll aldrig på mer än 1,2 l.
  - Kontrollera bränslenivån genom att luta behållaren vertikalt (bild **6**, sida 3).  
Håll den i detta läge i 20 sekunder för att säkerställa att inte för mycket bränsle har fyllts på. Om det finns för mycket bränsle i behållaren rinner det ut nu.
- ✓ Max. nivå har nåtts när bränslet syns nedtill i öppningen.



#### **Observera**

Köket fungerar som det ska även om man inte fyller på max. mängd.

- Torka bort utspild sprit från behållarens utsida.
- Sätt tillbaka behållaren.
- Stäng ovandelen och säkra med spärren.

## 8.2 Tända köket



### **Varning! Risk för personskador!**

Använd långa tändstickor eller långa tändare för att tända brännaren.

Dra genast undan handen när brännaren har tänts.

- Skjut reglaget till vänster stoppläge.
- ✓ Brännaren är öppen.
- Tänd köket genom att hålla en lång tändsticka eller en lång tändare mot brännaröppningen (bild **7**, sida 4).
- Justera lågan så att den inte sträcker sig utanför kastrullens kant.
- Välj önskat effektläge med reglaget.



### **Observera**

Om köket inte har svalnat sedan det senaste användningstillfället kan det hända att brännaren tänds och sedan genast släcks igen. Blås då luft mot brännaröppningen för att skingra ångan.

Tänd sedan köket enligt ovanstående beskrivning.

## 8.3 Släcka lågan

- Skjut reglaget till höger stoppläge.
- ✓ Brännaren är stängd.
- Vänta ungefär fem sekunder.
- Skjut reglaget till vänster stoppläge för att kontrollera att lågan är släckt.
- ✓ Brännaren är öppen.
- Skjut reglaget till höger stoppläge.
- ✓ Brännaren är stängd.

## 8.4 Användning av värmeelementet (endast Dometic ORIGO 2500 och 4300)



### Observera!

Använd aldrig spritbrännaren och elbrännaren samtidigt – det kan leda till överhettning som skadar värmeelementet.

- Ta, i förekommande fall, bort skärbrädan eller ta av locket (**tillbehör**).



### Observera

Av säkerhetsskäl kopplas strömmen bort från köket när skärbrädan sätts in eller locket stängs (**tillbehör**).

- Slå på värmeelementet: tryck på knappen "0-III" och, **inom 10 sekunder**, knappen "+".
- Välj önskat effektläge med knapparna "+" och "-".

Effekten regleras i fem steg som indikeras genom lysdioderna (se nedanstående tabell).

Lysdiod (bild 3 1, sida 2)	Effektinställning
Ingen lysdiod lyser	värmeelementet avstängt
Lysdiod 1 lyser	20 %
Lysdiod 1 och lysdiod 2 lyser	40 %
Lysdiod 2 lyser	60 %
Lysdiod 2 och lysdiod 3 lyser	80 %
Lysdiod 3 lyser	100 %

När knapparna trycks ned ändras effektinställningen med ett steg; hålls knapparna nedtryckta ändras inställningen snabbare.

- Stäng av värmeelementet genom att trycka på knappen med "0"-symbol.
- Låt köket svalna till rumstemperatur innan skärbrädan eller locket (**tillbehör**) sätts tillbaka igen.

## 8.5 Skydd för behållaren

För att förhindra att den denaturerade alkoholen förångas täcks brännarna över med gummiskydd när köket ska stå oanvänt under längre tid.

- ▶ Se till att köket har svalnat så att det har rumstemperatur.
- ▶ Ta, i förekommande fall, bort skärbrädan eller ta av locket (**tillbehör**).
- ▶ Dra spärren framåt (bild **4**, sida 3) och lyft upp ovandelen.
- ▶ Placera skyddet över behållarens öppning.
- ▶ Stäng ovandelen och säkra med spärren.



### Observera

Ta bort skydden innan köket används.

## 9 Rengöring och skötsel



### Observera

Använd inga vassa eller hårda föremål för att rengöra köket – det kan skada utrustningen.

- ▶ Ta bort gallret på kökets ovansida. Dra ut hållaren och lyft upp gallret (bild **8**, sida 4).
- ▶ Rengör kökets ovansida. Var särskilt noga med att avlägsna fastsittande stekfett och olja.
- ▶ **Endast 2500 och 4300:** lyft upp värmeelementet tills ett motstånd känns. Rengör ytan under värmeelementet.



## 10 Garanti

Den lagstadgade garantitiden gäller. Om produkten är defekt: kontakta tillverkarens kontor i ditt land (adresser, se bruksanvisningens baksida) eller återförsäljaren.

Vid reparations- resp. garantiärenden ska följande skickas med:

- en kopia på fakturan med inköpsdatum,
- en reklameringsbeskrivning/felbeskrivning.

## 11 Avfallshantering

► Lämna om möjligt förpackningsmaterialet till återvinning.



När apparaten slutgiltigt tas ur bruk: informera dig om gällande bestämmelser hos närmaste återvinningscentral eller hos återförsäljaren.

SVIB

## 12 Teknisk data

	Dometic ORIGO kök	
	2000	2500
Artikelnummer:	9103303884	–
Antal brännare:	1	
Bränntid:	ung. 4,5 h	
Brännareffekt:	2000 W	
Effekt, värmeelement:	–	1150 W
Kokningstid för 1 l vatten:	10 min	
Behållarvolym:	1,2 l	
Mått (L x B x H):	396 x 377 x 150 mm	
Vikt:	5,8 kg	6,2 kg

	Dometic ORIGO kök	
	4100	4300
Artikelnummer:	9103303890	–
Antal brännare:	2	
Bränntid:	ung. 4,5 h	
Brännareffekt:	2000 W	
Effekt, värmeelement:	–	1150 W/element
Kokningstid för 1 l vatten:	10 min	
Behållarvolym:	1,2 l	
Mått (L x B x H):	623 x 377 x 150 mm	
Vikt:	8 kg	9,9 kg

Med reservation för ev- ändringar i utförandet, tekniska förbättringar och ev. begränsade leveransmöjligheter.

SVIB



**(D) Dometic WAECO International GmbH**  
Hollefeldstraße 63 · D-48282 Emsdetten  
☎ +49 (0) 2572 879-195 · 📠 +49 (0) 2572 879-322  
Mail: info@waeco.de · Internet: www.waeco.de

## Europe

**(A) Dometic Austria GmbH**  
Neudorferstrasse 108  
2353 Guntramsdorf  
☎ +43 2236 908070  
📠 +43 2236 90807060  
Mail: info@waeco.at

**(CH) Dometic Switzerland AG**  
Riedackerstrasse 7a  
CH-8153 Rümlang (Zürich)  
☎ +41 44 8187171  
📠 +41 44 8187191  
Mail: info@waeco.ch

**(DK) Dometic Denmark A/S**  
Nordensvej 15, Taulov  
DK-7000 Fredericia  
☎ +45 75585966  
📠 +45 75586307  
Mail: info@waeco.dk

**(E) Dometic Spain S.L.**  
Avda. Sierra del Guadarrama, 16  
E-28691 Villanueva de la Cañada  
Madrid  
☎ +34 902 111 042  
📠 +34 900 100 245  
Mail: info@dometic.es

**(F) Dometic S.N.C.**  
ZA du Pré de la Dame Jeanne  
F-60128 Plailly  
☎ +33 3 44633500  
📠 +33 3 44633518  
Mail: info@waeco.fr

**(FIN) Dometic Finland OY**  
Mestarintie 4  
FIN-01730 Vantaa  
☎ +358 20 7413220  
📠 +358 9 7593700  
Mail: info@dometic.fi

**(I) Dometic Italy S.p.A.**  
Via Virgilio, 3  
I-47100 Forlì  
☎ +39 0543 754901  
📠 +39 0543 756631  
Mail: info@dometicwta.com

**(N) Dometic Norway AS**  
Skolmar 24  
N-3232 Sandefjord  
☎ +47 33428450  
📠 +47 33428459  
Mail: firmapost@waeco.no

**(NL) Dometic Benelux B.V.**  
Ecustraat 3  
NL-4879 NP Etten-Leur  
☎ +31 76 5029000  
📠 +31 76 5029090  
Mail: info@dometic.nl

**(S) Dometic Scandinavia AB**  
Gustaf Melins gata 7  
S-42131 Västra Frölunda (Göteborg)  
☎ +46 31 7341100  
📠 +46 31 7341401  
Mail: info@waeco.se

**(UK) Dometic UK Ltd.**  
Dometic House · The Brewery  
Blandford St. Mary  
Dorset DT11 9LS  
☎ +44 844 626 0133  
📠 +44 844 626 0143  
Mail: sales@waeco.co.uk

## Overseas + Middle East

**(AUS) WAECO Pacific Pty. Ltd.**  
1 John Duncan Court  
Varsity Lakes QLD 4227  
☎ +61 7 55076000  
📠 +61 7 55076001  
Mail: sales@waeco.com.au

**(HK) WAECO Impex Ltd.**  
Suites 3210-12 · 32/F · Tower 2  
The Gateway · 25 Canton Road,  
Tsim Sha Tsui · Kowloon  
Hong Kong  
☎ +852 24632750  
📠 +852 24639067  
Mail: info@waeco.com.hk

**(ROC) WAECO Impex Ltd.**  
Taipei Office  
2 FL-3 · No. 56 Tunhua South Rd, Sec 2  
Taipei 106, Taiwan  
☎ +886 2 27014090  
📠 +886 2 27060119  
Mail: marketing@waeco.com.tw

**(UAE) WAECO Middle East FZCO**  
R/A 8, SD 6  
Jebel Ali, Dubai  
☎ +971 4 8833858  
📠 +971 4 8833868  
Mail: waeco@emirates.net.ae

[www.waeco.com](http://www.waeco.com)