

Installation & operating instructions

Isotherm Cruise & Cruise INOX marine refrigerators
Type: CR 42, CR 49, CR 65, CR 85, CR 100 & CR 130

GB

Istruzioni per l'installazione e l'uso

Frigoriferi marini Isotherm Cruise e Cruise INOX
Modelli: CR 42, CR 49, CR 65, CR 85, CR 100 e CR 130

I

Einbau- & Bedienungsanleitung

Isotherm Cruise & Cruise INOX Marine Kühlschrank
Für Modelle: CR 42, CR 49, CR 65, CR 85, CR 100 & CR 130

D

Installation & Mode d'emploi

Réfrigérateur à usage marin Isotherm Cruise & Cruise INOX
Pour modèles : CR 42, CR 49, CR 65, CR 85, CR 100 et CR 130

F

Installations- & Bruksanvisning

Isotherm Cruise & Cruise INOX marinkylskåp
För typ: CR 42, CR 49, CR 65, CR 85, CR 100 & CR 130

S

Instrucciones de instalación y de uso

Neveras para embarcaciones Isotherm Cruise y Cruise INOX
Para los modelos: CR 42, CR 49, CR 65, CR 85, CR 100 y CR 130

E

Installatievoorschriften en gebruiksaanwijzing

Isotherm Cruise & Cruise INOX koelkasten voor maritiem gebruik
Voor type: CR 42, CR 49, CR 65, CR 85, CR 100 & CR 130

NL

Asennus- ja käyttöohje

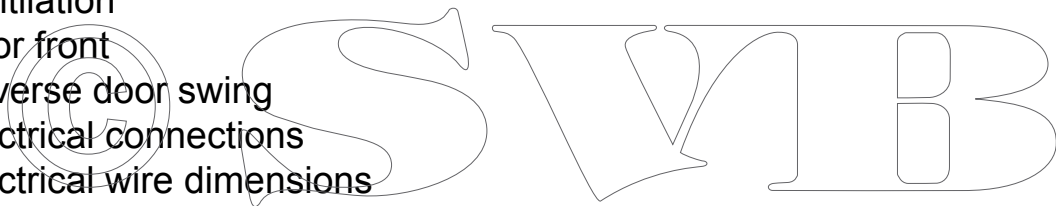
Isotherm Cruise ja Cruise INOX -venejääkaapit
Koskee malleja: CR 42, CR 49, CR 65, CR 85, CR 100 ja CR 130

FIN



Table of contents

- 1 Introduction
 - 1.1 General
 - 1.2 Safety and precautions
 - 1.3 Environmental markings
- 2 Operation
 - 2.1 Temperature setting thermostat
 - 2.2 Temperature setting ASU
 - 2.3 User tips
 - 2.4 Defrosting
- 3 Maintenance
 - 3.1 Battery voltage sensor
- 4 Installation instructions
 - 4.1 Ventilation
 - 4.2 Door front
 - 4.3 Reverse door swing
 - 4.4 Electrical connections
 - 4.5 Electrical wire dimensions
 - 4.6 Inner light
 - 4.7 Operation with converter
 - 4.8 Wiring diagram
- 5 Technical data
- 6 Trouble shooting
- 7 Installation dimensions



1. Introduction

1.1 General

Isotherm refrigerators are specially designed to operate in tough marine environments. They are fitted with a fully hermetic, leak-free compressor, they offer the lowest possible power consumption and noise level. All models are simple to install. They can withstand an angle of heel up to 30°, for a short time. To ensure that your Isotherm fridge operates as efficiently as possible, please follow these general guidelines:

- Unnecessary opening of the fridge door will increase power consumption.
- Good ventilation of the compressor and condenser unit will reduce power consumption.
- The electrical system should be in good condition. Inspect batteries and charging levels regularly. Always use a separate starter battery for the engine. Follow carefully the guidelines regarding electrical cable areas and fuse placements.
- Keep the inside of the fridge and freezer clean and dry. Remove any water from condensation that may have collected in the drip tray or the plastic basket.
- Keep the door slightly open to air the refrigerator when leaving the boat for any length of time.
- Clean the inside of the refrigerator with lukewarm water and a mild detergent before taking the fridge into operation the first time.

The refrigerators are equipped with an evaporator forming a freezer compartment placed in the top of the cabinet. It has a door hinged above the evaporator. The CR 130 Drink has no freezer compartment, the evaporator is positioned on the rear wall.

The freezer compartment is made to keep pre-frozen food frozen during a short period of time and not to freeze food.

CR 49, 65, 85 & 130 are also available in an INOX version.

They have a more exclusive door in stainless steel and they also have a flush mounting frame for a smooth flat mounting on board. The doors have a stainless steel door lock of a more rigid type and are also equipped with interior trims in stainless steel.

1.2 Safety and precautions

For your own and others safety, read this first.



Danger! When connected to mains power, ensure that the power supply is equipped with an earth safety automatic switch, a "ground fault circuit interrupter".



Danger! Never touch bare electrical wiring connected to the AC power supply.

Do not use the device if the connector cables show visible damage.

Never connect battery charger direct to the refrigeration system.

A battery charger **must** be connected to the battery, never direct to the refrigeration system.

Danger! In addition to acid, a newly-charged battery contains explosive gas.

Never cover the ventilation openings for the compressor unit.

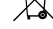
Refrigerant may never be let out in the air.

Repair of the refrigeration circuit must be done by a certified technician.

1.3 Environmental markings

This appliance is marked according to the European directive 2002/96/EC on Waste Electrical and Electronic Equipment (WEEE). By ensuring this product is disposed of correctly, you will help prevent potential negative consequences for the environment and human health, which could otherwise be caused by inappropriate waste handling of this product.



The symbol  on the product, or on the documents accompanying the product, indicates that this product may not be treated as household waste. Instead it shall be handed over to the applicable collection point for recycling of electrical and electronic equipment.

Disposal must be carried out in accordance with local environmental regulations for waste disposal.

For more detailed information about treatment, recovery and recycling of this product,

please contact your local city office, your household waste disposal service or the shop where you purchased the product.



2. Operation

The refrigerators are available in two versions, standard with mechanical thermostat and optionally in ASU version.

CR 42 and CR INOX cannot be equipped with ASU. Temperature regulation for both systems are described separately below.

The refrigerators are made for use at ambient temperatures between 0°C/32°F and +45°C/113°F.

2.1 Temperature regulation thermostat

The refrigerator is fitted with a manually operated thermostat. This is turned clockwise to reduce temperature and anti-clockwise to both increase temperature and activate the on-off switch at the end position, 0-position. A certain spring resistance is recognized at the off position.

It is advisable to start with the thermostat in a medium position. It is advisable to keep a temperature of 5-6°C/ 41-43°F inside the refrigerator. Higher temperatures will reduce storage time.

The ambient temperature influences the temperature also inside the fridge. Avoid direct sunshine and other heat sources close to the refrigerator.

The thermostat control knob is placed inside the refrigerator, see description below.



Thermostat in CR 42, on rear wall below freezer compartment.

Thermostat in CR 49, inside on horizontal wall at the rear.

Thermostat in CR 65, inside on the rear wall to the right.

Thermostat in CR 85 & CR 130, inside to the right behind the light.

Alternative position in the light housing, for CR 49, 65, 85 & 130.

Thermostat on CR 100, to the right in the top grill above the door.



Thermostat in CR 130 Drink, inside integrated in the light housing.

2.2 Temperature setting ASU

The Isotherm refrigerators with ASU can be operated in two ways. When energy saving is needed, switch to "NORMAL.AUTO" position.

Optimal refrigeration temperature is then automatically maintained while consuming the lowest amount of battery power possible. When there is no need of energy saving, switch to "MAN.TEMP" position on the panel. The automatic function is now partially blocked and refrigeration temperature can be manually adjusted. In its centre position, the unit is switched off. The panel should be positioned where it easily could be seen. Control cable length is 4 m (13 ft.). Behind the panel a hole of 12 mm (1/2") must be drilled for the cable.



NORMAL.AUTO position

- The green light indicates that power is being supplied and the refrigeration programme is activated.

- When the engine is running and the voltage supply (measured at the electronic unit) is above 13.2 (26.4) volt, the compressor starts to supply cooling energy to the holding plate. It starts within the first 30 seconds and operates first at low speed with the yellow "Economy" indicator lit.

After less than half a minute, the speed of the compressor and the fan increase by 75% and the red «Freeze» indicator light comes on. This operation condition is maintained until the holding plate is completely frozen at approximately -14°C (7°F). This can take 20 to 40 minutes depending on the model, ambient temperature and refrigerator size. On reaching this temperature, the compressor stops and the red light goes out. When the temperature of the holding plate rises to -10°C (14°F) the compressor restarts to charge the holding plate and the red light comes on again. This process is repeated, keeping the holding plate at its optimum efficiency level. When the engine is stopped, the compressor also stops shortly afterwards.

When the engine is stopped and the battery voltage is below 12.7 (25.4) volt, the surplus of refrigeration energy stored in the holding plate is used first.

Only when this has been consumed does the compressor start. The yellow light indicates that it is now running, in the first hand, at its low "Economy" speed to "top-up" the holding plate only and maintain the refrigeration temperature. This condition starts when the temperature of the holding plate rises to -1°C (30°F) and stops when it reaches economy level of -6°C (21°F).

MAN.TEMP position

This position can be used either when shore-power or

solar panels are being used or when energy saving is not required and a higher or lower refrigerator temperature is desirable for some reason. The automatic function is partially blocked, the temperature regulated by means of the rheostat on the panel, clockwise for colder and anticlockwise for warmer. "A" indicates the holding plate temperature point for "accumulation". In the "MAN.TEMP" position, the compressor starts and runs in the first hand in low speed to maintain the temperature chosen and keep the noise on lowest possible level. If the difference between chosen and real temperature is more than 6°C (11°F), the compressor will automatically speed up for faster cooling down. As soon as this extra power is not needed, the compressor speed will be reduced for lowest power consumption and keeping selected temperature.

Indicator lights

Green:

Power is on, compressor standing.

Green+yellow:

Compressor running within the higher temperature range. (Low voltage).

Green+red:

Compressor running with the lower temperature range. (High voltage).

Green+yellow+red:

Compressor running at lowest possible speed to reach selected temperature in MAN.TEMP mode.

Flashing yellow+red:

Error signal from electronic unit. Automatic start attempt after 1 min.

Flashing yellow:

Low battery voltage sensor has switched off. Automatic re-start occurs when engine is started to charge batteries again.

There is a delay of up to 30 sec. before reactions after panel operations.

2.3 User tips

- The freezer compartment is meant for short time storage of pre-frozen food. It has not capacity for quick or deep freezing.
- Start up the refrigerator if possible 6 hours before it shall be loaded with food.
- When making ice in the ice tray, place it direct on the evaporator and put nothing on top of the ice tray. For quicker ice-making, turn the thermostat to coldest position.
- Load the food inside the refrigerator in such a way, air can circulate to equalize the temperature.
- Do not cover the shelves with glass or paper etc.
- To reduce the amount of ice building up in the evaporator, cover all liquids and moist food.
- Let all hot foods cool well before putting them into the refrigerator.

2.4 Defrosting

The evaporator is working on below freezing temperatures and will form frost and ice from humidity in the air. The humidity increases with higher outside

temperature, with storage of non sealed fresh food and liquids and the time the door is kept open. Defrosting shall be made when the frost layer is more than 1/8" thick.

Set the thermostat in OFF position or switch off on the ASU control panel. Store the foodstuff and the liquid as cold as possible during the defrosting process.

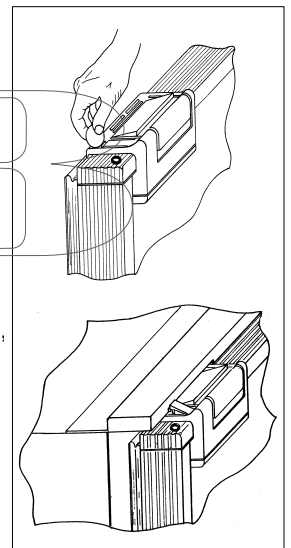
Do not use sharp metal tools to remove frost or ice. Do not re-start until the refrigerator is completely defrosted, cleaned and dried. Empty and clean also the plastic drip tray below the evaporator. Place towels in the bottom of the refrigerator to collect melt water.

3. Maintenance

The Isotherm refrigeration systems have a fully hermetic closed cooling system and do not require any maintenance or refilling of refrigerant.

The compressor is of mobile type and has a very high efficiency and an outstanding life-time. The refrigerator shall be left in the boat during the winter. (If the temperature is below freezing point, the compressor may not start). The maintenance is reduced to periodically, not less than a year, cleaning of the condenser from dust. Use a soft brush and no sharp tools. Keep the cabinet inside clean. Use lukewarm water and a mild detergent for cleaning the inside. Put the

doors, during not in operation periods, in their slightly open ventilation position. Release the catch on the door for this purpose with a coin or a small screwdriver (see fig.) (not valid for Stainless steel version, "INOX"). Take out the bulb from the interior light to avoid power consumption or switch off a main switch if there is one installed connected to the refrigerator power supply.



3.1 Battery voltage sensor

To protect the batteries from becoming completely discharged, a battery voltage sensor switches off the compressor automatically at the following levels:

System voltage V	Cut out V	Cut in V
12	9.6 (10.4)	10.9 (11.7)
24	21.3 (22.8)	22.7 (24.2)

If the bridge between C and P is cut off, values within the () are valid.

For ASU refrigerators:

System voltage V	Cut out V	Cut in V
12	10.0	12.0
24	22.0	23.5

4 Installation instructions

Many boats have a space which is intended for a fridge. The Isotherm Cruise fridge has been designed to suit the general dimensions normally used for this purpose.

The compressor should normally stand upright in the boat, but will operate at an angle of heel up to 30° and for short periods even more. CR 42 has the compressor attached on a separate bracket by its rear side. This can be moved up to 1.5 m/4.9 ft. away from the fridge.

The pipes must be handled and bent with great care to avoid damages.

Avoid mounting the refrigerator close to a heat source, like gas ovens and heaters. Also avoid a position allowing direct sunshine on the refrigeration unit.

The mounting position should be dry and protected from splashing water.

For easier mounting of the refrigerator, use the mounting rails available as optional equipment, on the models not having three side mounting frame.

The types CR 49 and CR 65 have mounting frame as standard. CR 42 can be equipped with the same type of frame as on CR 49. Other models can be mounted with mounting rails, one on each side of the cabinet. CR 85 and CR 130 can also be equipped with three side flush mounting frame.

The INOX type refrigerators have a flush mounting frame, three side frame, as standard.

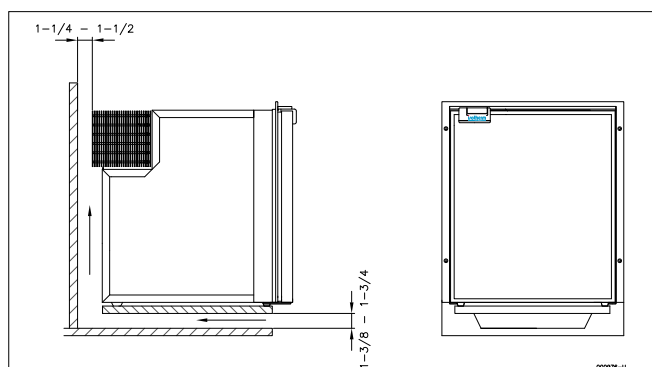
The refrigerators shall be standing on the rubber feet and locked in position by means of the mounting frame or mounting rails. When no rails or frames are used the cabinet must be well fastened into the surrounding constructions.

Avoid mounting close to a heat source, like gas oven and heaters. Also avoid a position allowing direct sunshine on the refrigerator. The mounting should be dry and protected from splashing water.

4.1 Ventilation

It is very important that the compressor/condenser unit is well ventilated and that cold air can enter at the bottom, pass behind the fridge and warm air can leave at the top in the area where it is mounted. The natural flow of air from below and upwards behind the fridge can be increased by arranging ventilation openings at the rear.

Make sure there is a free area of 15 - 23 sq.in. below and behind the refrigerator to allow ventilation air to pass behind from below. See fig.



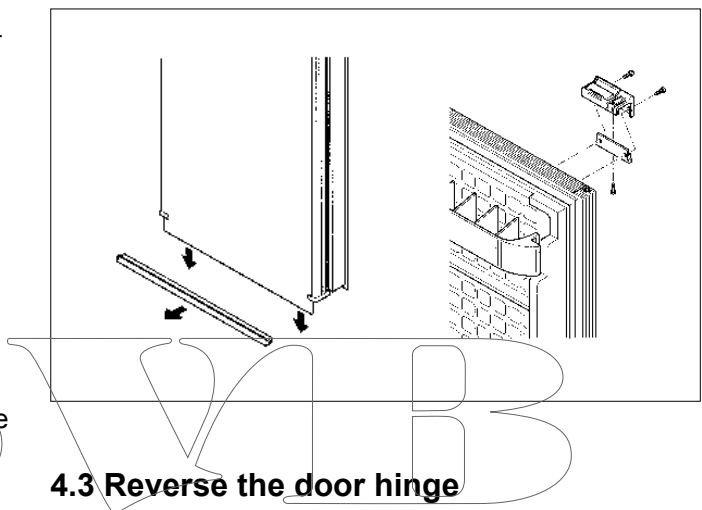
4.2 Door front panel

The front panels on the doors can be replaced or additional standard front panels in white, teak, mahogany or cherry can be mounted on top of the standard panel. CR 42, 49 & 65 are also available in version with fully white door and stainless steel mounting frame.

The INOX models have doors in stainless steel and do not have exchangeable door fronts.

Use a screwdriver or a knife as a lever and pull off the lower door profile. Unscrew the three screws holding the door lock.

Mount the extra panel on top of the existing one, fasten the door lock again and push in the lower door profile. See fig.



4.3 Reverse the door hinge

The doors on the refrigerators are as standard mounted with the hinges to the right hand side.

The door can be hinged to the left by means of changing position of the upper and lower hinge fittings.

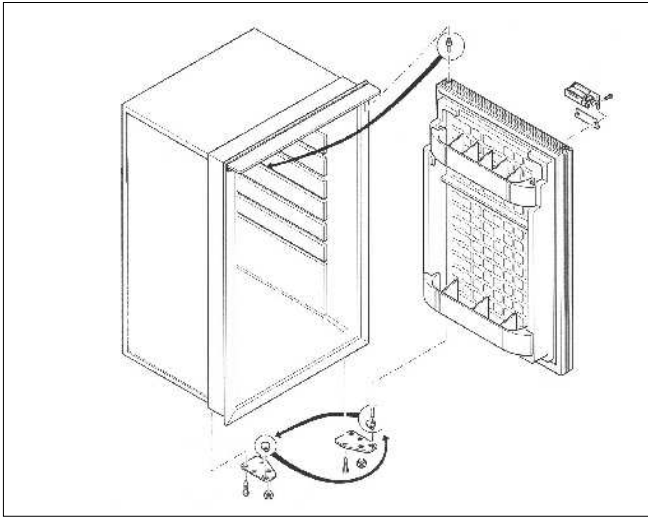
The door lock must also be moved to the other side. See fig.

CR 42 & 49 have the lower hinge assembly mounted in a plastic fitting, only these parts and the hinge pin must be moved to the other side. The upper hinge pin is threaded into the top part above the door, unscrew the top part to take off the door and move the pin to the other side.

On CR 65, 85 & 130 both the upper and lower hinge fittings have to be taken off and mounted on the other side instead. The lower door support is also moved to the other side.

On the CR 100 the upper hinge pin is mounted in the top ventilation grill and is moved to the other side. The lower hinge fitting and door support are moved and reversed mounted.

CR INOX up to CR 85 can also be re-hinged as described above, but CR 130 has left or right doors with side mounted door locks and cannot be changed.



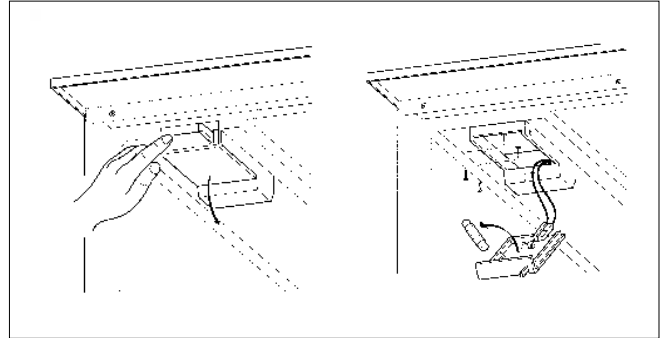
4.6 Inner light

The refrigerators except CR 42, CR 42 INOX & CR 100 have inner light mounted in the top of the cabinet. Be sure the right type, 12 or 24 volt, is mounted before the refrigerator is powered. Both 12 and 24 volt bulb are included in the delivery.

Max 3W bulb is to be used.

When replacing the bulb, push the light glass assembly downwards with the on-off push pin. Replace the bulb and push back the light assembly into the plastic housing.

See fig. below.



4.4 Electrical connections/wiring

When connecting the refrigerator electrically, it is important that following points are considered:

Always use cables of sufficient area. The area in the following table should be regarded as a minimum.

- * Always connect the refrigerator directly to the battery or to the battery main switch on the plus circuit. Do not connect it via the boats own control panel or other diversions as this can cause a voltage drop in the power supply. Use the included fuse holder with a 15A fuse. Use 7.5A fuse in a 24-volt system. The fuse shall be mounted on the plus cable.
- * Connect the red cable to the positive (+) terminal and the black to the negative (-) terminal. Use tab type terminals for the connection to the electronic unit and other cable connectors of sufficient size for the cable size selected.
- * Do not connect the refrigerator direct to a battery charger. The battery charger must be connected to the battery.

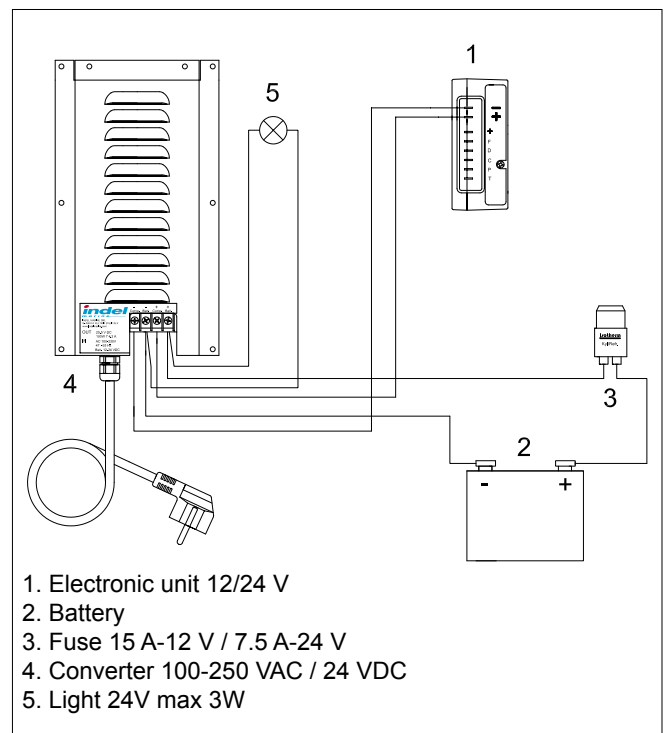
4.5 Wire dimensions

Cable area mm ²	Wire gauge #	Max cable length in m/ft. 12V	Max cable length in m/ft. 24V
2.5	12	2,5	5
4	10	4	8
6	10	6	12

4.7 Operation with converter

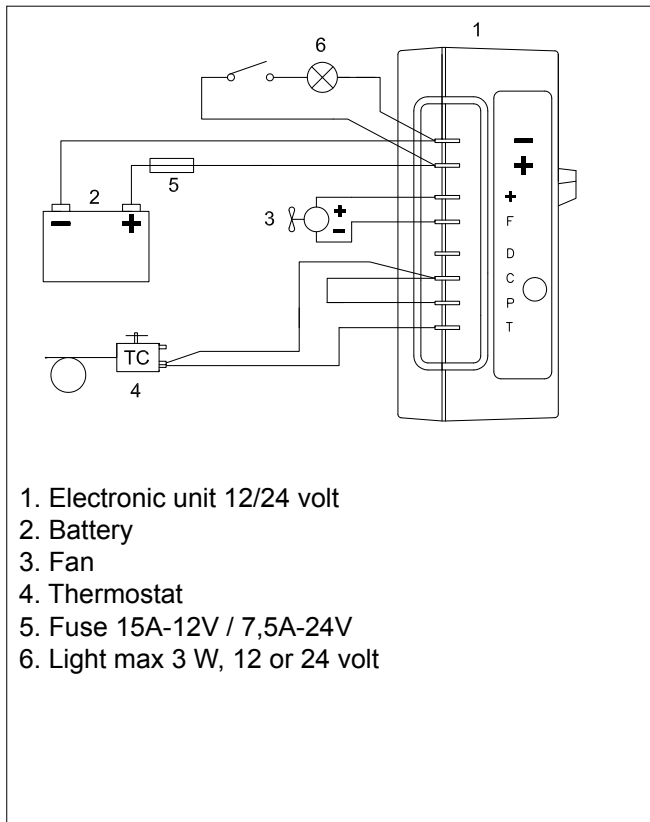
As an option, the refrigerators can be equipped with an converter which operates on the mains power. It can be mounted direct on the back of the refrigerator or separately besides the refrigerator. The converter will feed the power for the compressor direct from the mains as long as this is available, and automatically switch over to battery power when no mains power is available. The converter must be connected to the mains with an earthed power plug.

Wiring diagram

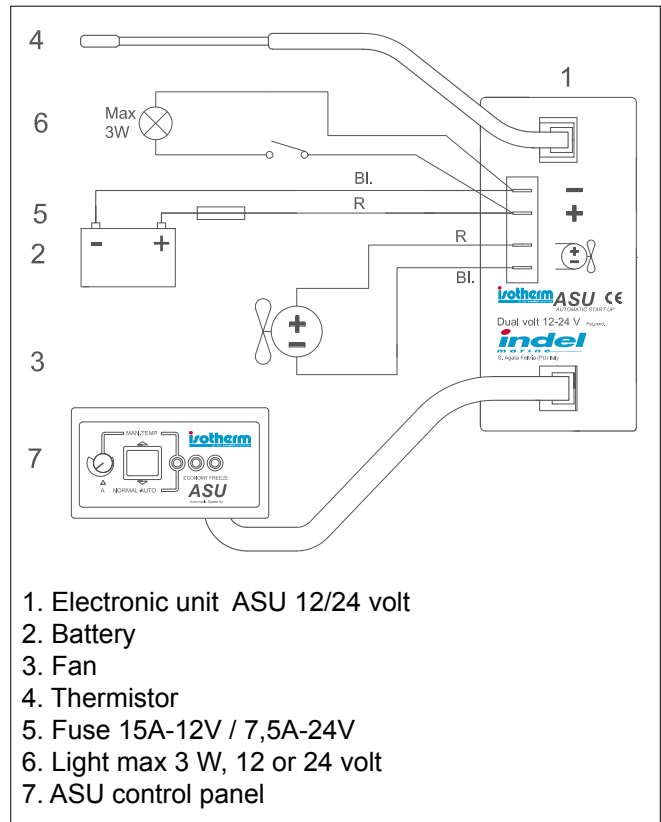


4.8 Wiring diagram

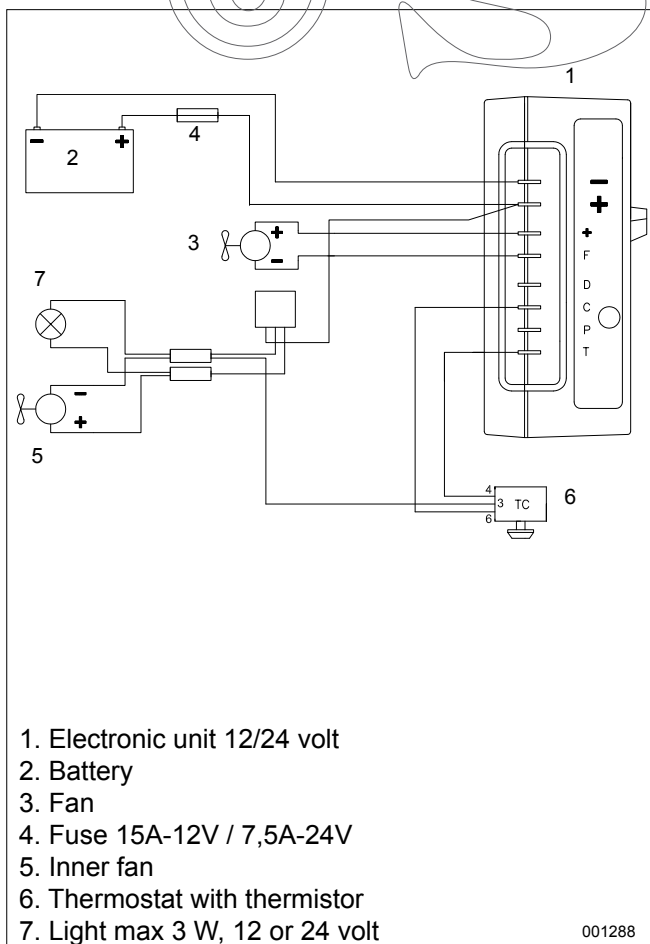
Refrigerator with standard thermostat



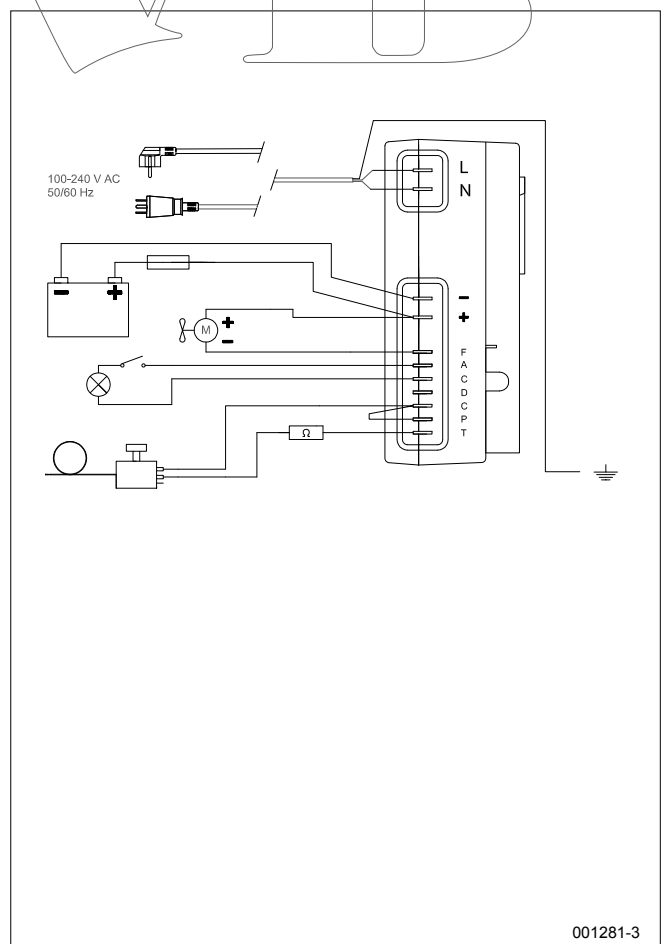
Refrigerator ASU



Refrigerator CR 130 Drink



AC/DC 100-240V / 12-24V



5 Technical data

Voltage	12 or 24 volt DC
Power consumption when compressor is running:	CR 42, 49 & 65: 2,5 - 2,7 A at 12 V (half at 24 V) CR 85 & 100: 3.8 - 4 A at 12 V CR 130: 4,7 - 5 A at 12 V CR 130 Drink: 5- 5,3 A at 12 V
Average consumption:	CR 42 & 49: 0,6 A at 12 V CR 65: 0,7 A at 12 V CR 85: 0,8 A at 12 V CR 100: 1,0 A at 12 V CR 130: 1,2 A at 12 V CR 130 Drink: 1,4 A at 12 V

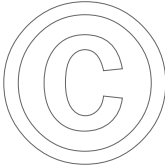
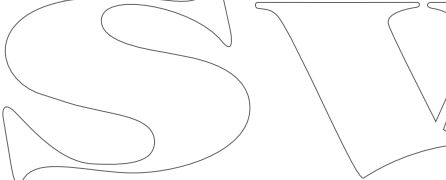
Average consumption measured at +6°C/43°F in the refrigerator and 22°C/72°F ambient temperature. The average consumption is much dependent on the way the fridge is used and how well the ventilation is working.

Compressor:	Danfoss BD35F
Refrigerant:	R134a, filling amount is printed on the sticker inside the fridge.
Fuse:	15 A for 12 volt or 7,5 A for 24 volt respectively.



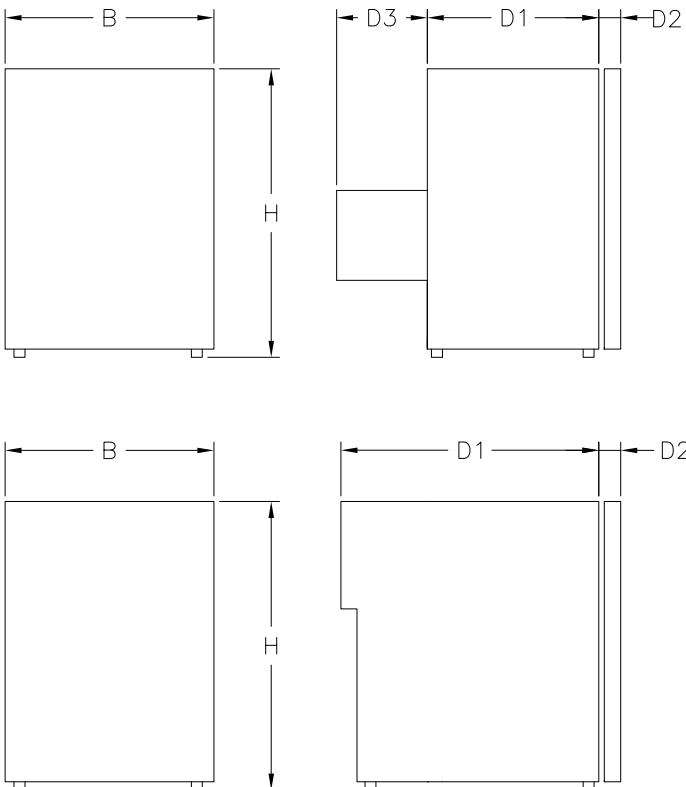
Isotherm refrigerators fulfil valid EMC directives and are CE-marked.

6 Fault finding

Fault	Possible cause	Action
Fridge not cold, compressor will not start. 	No power supply. Battery in poor condition. Faulty thermostat. Faulty electronic unit. 	Check that power is present at electronic unit. Check fuse. Check polarity on connectors and cables. Bridge the thermostat over T-C, see wiring diagram. If compressor starts, this indicates a faulty thermostat. If the compressor does not start, this indicates a faulty electronic unit or compressor. Contact an authorized service agent. A possible leak in the cooling system, contact an authorized service agent.
Compressor makes only short start attempts.	Bad power supply, too low voltage or voltage drop at start attempts. Discharged batteries.	Check cables, terminals and other connections, possible verdigris or corrosion, Clean. Charge batteries, run the engine or connect a battery charger. Voltage must be kept above 11.0 V at start attempts.
Compressor runs but no refrigeration generated.	Loss of refrigerant. Leakage in pipes or evaporator. Pipes blocked.	Pressure and leak test. Check for pipe damages. Repair possible leak, evacuate and re-fill refrigerant. (All this to be made by refrigeration specialist).
Compressor runs long time but not generating enough cold.	Bad ventilation. Condenser too warm. Cooling fan not working Too much frost on evaporator. Door not closing well. Condenser blocked by dust.	Improve ventilation for compressor. Re-place fan. Defrost. Check/adjust door position and door seal. Clean condenser.
Fuse blows.	Wrong fuse size. Faulty electronic unit.	Check fuse, 15 A-12 V / 7,5 A-24 V Exchange electronic unit.

If a complicated fault does occur, such as requiring specialist assistance, please contact Indel Webasto Marine S.r.l. Italy or your local marine distributor for advice.

7 Installation dimensions



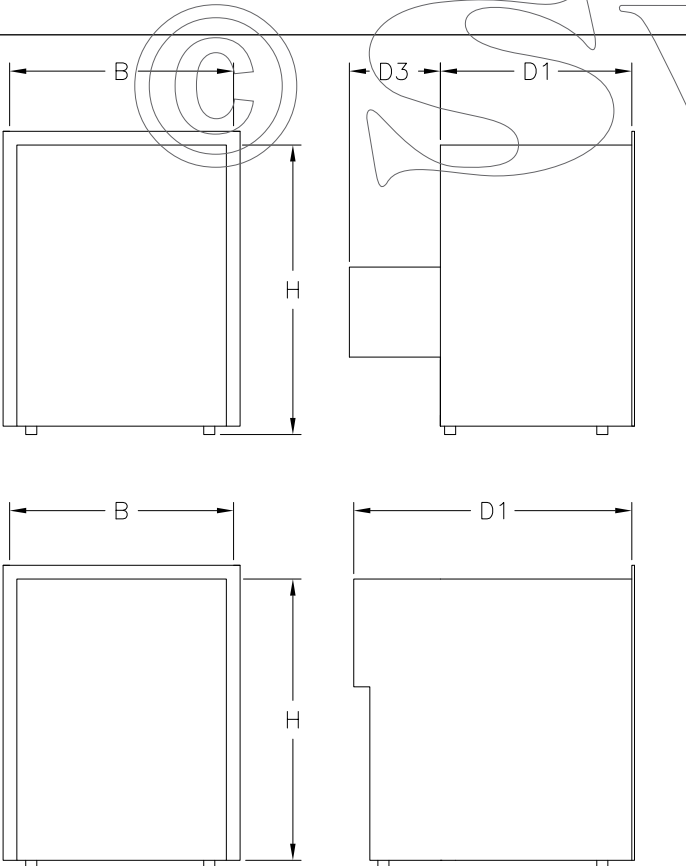
CR refrigerators

	B *	H *	D1	D2	D3
CR 42	380	525	319	40	165

*) Bx H = day opening, min dimensions

	B *	H *	D1	D2
CR 49	380	525	470	40
CR 65	450	530	500	40
CR 85	475	625	515	40
CR 100	485	745	455	40
CR130	525	745	505	40

*) Bx H = day opening, min dimensions



CR INOX refrigerators

	B *	H *	D1	D3
CR 42 INOX	400	530	515	165

*) Bx H = day opening, min dimensions

	B *	H *	D1
CR 49 INOX	400	530	510
CR 65 INOX	470	530	540
CR 85 INOX	495	625	555
CR 130 INOX	545	755	545

*) Bx H = day opening, min dimensions

More detailed drawings of the refrigerators can be seen on: www.indelwebastomarine.com

Indice

- 1 Introduzione
 - 1.1 Generalità
 - 1.2 Norme di sicurezza
 - 1.3 Ambiente

- 2 Istruzioni per l'uso
 - 2.1 Regolazione della temperatura con termostato
 - 2.2 Regolazione della temperatura con ASU
 - 2.3 Consigli per l'uso
 - 2.4 Sbrinatoria

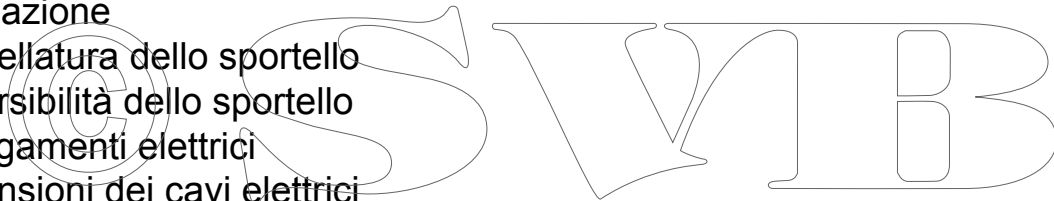
- 3 Manutenzione
 - 3.1 Protezione per bassa tensione

- 4 Istruzioni per l'installazione
 - 4.1 Ventilazione
 - 4.2 Pannellatura dello sportello
 - 4.3 Reversibilità dello sportello
 - 4.4 Collegamenti elettrici
 - 4.5 Dimensioni dei cavi elettrici
 - 4.6 Illuminazione interna
 - 4.7 Funzionamento con convertitore
 - 4.8 Schema elettrico

- 5 Dati tecnici

- 6 Ricerca dei guasti

- 7 Misure di installazione



1. Introduzione

1.1 Generalità

I frigoriferi marini Isotherm sono progettati per soddisfare i requisiti elevati dell'ambiente marino in termini di prestazioni e affidabilità. Dotati di un innovativo compressore stagno a prova di perdite, offrono consumo elettrico e livello di rumore minimi. I frigoriferi sono facili da installare. Possono funzionare fino a un'inclinazione di 30° o, per brevi periodi, superiore.

Per le massime prestazioni, osservare quanto segue:

- L'apertura non necessaria del frigorifero comporta un maggiore consumo elettrico.
- Una ventilazione adeguata di compressore e condensatore riduce notevolmente il consumo elettrico.
- L'impianto elettrico deve essere in buone condizioni. Verificare regolarmente le batterie e il livello di carica. Utilizzare sempre una batteria di avviamento separata per il motore.

Attenersi alle indicazioni fornite relativamente alle dimensioni dei cavi e ai fusibili.

- Mantenere sempre pulito e asciutto l'interno del frigorifero. Rimuovere l'acqua di condensa sulla vaschetta di sgocciolamento sotto lo scomparto freezer del frigorifero.
- Lasciare sempre socchiuso lo sportello per consentire l'aerazione del frigorifero qualora non venga utilizzato per periodi più o meno lunghi. (Vedere fig. 1 e 2.)
- Prima di utilizzare il frigorifero, pulirlo internamente con un detergente neutro e acqua tiepida.

Nella parte superiore di ogni frigorifero si trova uno scomparto freezer con sportello. Lo scomparto si utilizza per conservare prodotti congelati per max 4-5 giorni ma non è sufficientemente freddo per congelare. Con l'apposita vaschetta è possibile produrre cubetti di ghiaccio.

CR 130 Drink è sprovvisto di scomparto freezer.

I modelli CR 49, CR 65, CR 85 e CR 130 sono disponibili anche in versione INOX.

Presentano un esclusivo sportello con rivestimento in acciaio inox, telaio inox a tre lati per il montaggio a filo e il perfetto livellamento della parte anteriore e chiusura inox dello sportello più robusta.

Anche l'interno presenta diversi particolari in acciaio inox.

1.2 Norme di sicurezza

• In caso di collegamento all'alimentazione a terra, accertarsi che sia dotata di massa e salvavita per evitare gravi lesioni personali. Non toccare eventuali cavi elettrici danneggiati o non isolati quando è inserita l'alimentazione a terra.


Pericolo di morte!

- È assolutamente vietato effettuare interventi nel circuito del refrigerante.
- Non rilasciare mai il refrigerante nell'ambiente.
- Non ostruire mai il sistema di ventilazione del frigorifero.
- Non montare il frigorifero vicino a fonti di calore quali fornelli, caldaie, radiatori ecc.
- Montare il frigorifero in un luogo asciutto e al riparo da spruzzi d'acqua.
- Non collegare mai il caricabatterie direttamente al frigorifero. Il caricabatterie deve essere collegato alla batteria.
- Oltre all'elettrolito, una batteria appena ricaricata può contenere idrogeno gassoso esplosivo. **Pericolo!**
- Non conservare nel frigorifero bombolette spray contenenti gas propellenti infiammabili.
- La riparazione dell'impianto refrigerante del frigorifero deve essere affidata a personale qualificato.

1.3 Ambiente

Questo prodotto è conforme alla direttiva 2002/96/CE sui rifiuti di apparecchiature elettriche ed elettroniche (RAEE).

Il corretto smaltimento del prodotto è essenziale per prevenire potenziali conseguenze negative per l'ambiente e la salute.

Il simbolo  su prodotto, imballaggio o relativa documentazione indica che il prodotto non deve essere smaltito fra i rifiuti domestici. Il prodotto deve essere consegnato a un centro di raccolta autorizzato per il riciclaggio delle apparecchiature elettriche ed elettroniche. Smaltire sempre il prodotto nel rispetto delle disposizioni ambientali locali sullo smaltimento dei rifiuti.

Per maggiori informazioni su smaltimento, riciclaggio e riutilizzo del prodotto, rivolgersi alle autorità locali, al servizio di raccolta dei rifiuti locale o al rivenditore/all'azienda presso cui è stato acquistato il prodotto. L'imballaggio, progettato per proteggere il frigorifero e i relativi componenti durante il trasporto, è fabbricato in materiale riciclabile. L'imballaggio riporta i simboli del riciclaggio e deve essere consegnato a un centro di raccolta.



2. Istruzioni per l'uso

I frigoriferi sono disponibili in due versioni: standard con termostato meccanico e opzionale con ASU. I modelli CR 42 e CR INOX non sono disponibili nella versione opzionale con ASU. Le versioni sono descritte separatamente nelle seguenti sezioni sulla regolazione della temperatura. I frigoriferi sono progettati per l'uso a una temperatura esterna compresa fra 0 e 45°C.

2.1 Regolazione della temperatura con termostato

La temperatura del frigorifero si regola in continuo per mezzo del termostato, che integra anche una funzione di spegnimento se ruotato al finecorsa antiorario. Per spegnere l'apparecchio occorre superare una leggera resistenza della manopola. La posizione della manopola del termostato dipende dal tipo di frigorifero, vedere le seguenti figure.

Per regolare la temperatura, procedere come segue: Ruotando il termostato in senso orario la temperatura interna si abbassa e viceversa.

Si raccomanda di mantenere il frigorifero a una temperatura di 5-6°C. La temperatura esterna influenza quella del frigorifero, quindi può essere difficile mantenere la temperatura interna corretta se il frigorifero è esposto a calore e luce solare diretta.



Posizione del termostato in CR 42, sulla parete posteriore sotto lo scomparto freezer.

Posizione del termostato in CR 49, sulla parete orizzontale posteriore a destra dello scomparto freezer.

Posizione del termostato in CR 65, sulla parete posteriore a destra dello scomparto freezer.

Posizione alternativa del termostato in CR 49 e CR 65, nel gruppo di illuminazione.

Posizione del termostato in CR 85 e CR130, a destra dello scomparto freezer dietro il gruppo di illuminazione.

Posizione del termostato in CR 100, a destra della griglia di ventilazione sopra lo sportello.



Posizione del termostato in CR 130 Drink, nel gruppo di illuminazione.

2.2 Regolazione della temperatura con ASU

Il frigorifero Isotherm con ASU può funzionare in due modi. Nella posizione NORMAL.AUTO il frigorifero regola automaticamente la temperatura ottimale per ridurre al minimo il carico sulle batterie. Nella posizione MAN.TEMP la funzione automatica è parzialmente disattivata e la temperatura può essere impostata in base alle proprie esigenze. Nella posizione centrale il frigorifero è spento.

Il pannello di comando può essere ubicato in una posizione comoda e ben visibile. Il cavo del pannello di comando è lungo 4 m e, dietro il pannello, occorre praticare un foro di 12 mm per il passaggio del cavo con la spina.



Posizione NORMAL.AUTO

La spia verde si accende immediatamente a indicazione che l'alimentazione è collegata e si inserisce il seguente programma di refrigerazione: Quando il motore è acceso e la tensione nell'impianto elettrico misurata dalla centralina elettronica supera 13,2 (26,4) V, il compressore si avvia per congelare e "caricare" la piastra ad accumulo di freddo. Il compressore si avvia entro 30 secondi e inizia a funzionare a basso regime; questo stato è indicato dalla spia gialla "Economy" accesa. Dopo circa 30 secondi, il compressore e la ventola di raffreddamento raggiungono il 75% - regime max. A questo punto la spia gialla si spegne e si accende la spia rossa "Freeze". Il compressore funziona in questo modo finché la piastra ad accumulo di freddo non è completamente carica, cioè raggiunge circa -14°C. Questo richiede circa 35-50 minuti, a seconda delle temperature esterna e del frigorifero all'avviamento e delle dimensioni del frigorifero. In seguito, il compressore si disattiva e la spia rossa si spegne. Il compressore si riavvia solo quando la temperatura della piastra ad accumulo di freddo raggiunge circa -10°C.

Se il motore si spegne, anche il compressore si disattiva non appena la tensione scende al di sotto di 12,7 (25,4) V. Quando il motore è spento e la tensione è inferiore a 12,7 (25,4) V, viene utilizzato innanzitutto il freddo accumulato nell'apposita piastra. Quando la piastra ad accumulo di freddo è esaurita, il compressore si riattiva e funziona principalmente a basso regime (è accesa la spia gialla "Economy") per mantenere il livello di refrigerazione. In questa posizione, il compressore si avvia quando la piastra ad accumulo di freddo raggiunge -1°C e si disattiva a -6°C.

Posizione MAN.TEMP

Questa posizione è utile quando non occorre ridurre al minimo il consumo elettrico e sono disponibili l'alimentazione a terra o dei pannelli solari oppure quando, per altri motivi, si desidera ridurre o aumentare la temperatura del frigorifero. La funzione automatica è parzialmente disattivata e la temperatura si regola manualmente con il pomello sul pannello di comando. In posizione A, la temperatura della piastra ad accumulo di freddo è nella modalità di "Accumulo". Poiché in questa posizione il compressore si avvia per mantenere la temperatura impostata, funziona principalmente al minimo per ridurre il livello di rumore a motore spento. Se nel frattempo la differenza fra la temperatura impostata e quella effettiva supera 6°C, il compressore aumenta automaticamente il regime per riportare rapidamente la temperatura al livello desiderato. Quando questo aumento di capacità non è più necessario, il regime ritorna a diminuire per ridurre al minimo il consumo elettrico. L'aumento automatico della potenza è utile, ad esempio, quando si ripongono nel frigorifero prodotti caldi.

Segnali sul pannello

Spia verde fissa:

Frigorifero acceso e alimentato, compressore fermo.

Spie verde + gialla fisse:

Compressore in funzione nella gamma di temperature alte.

Bassa tensione.

Spie verde + rossa fisse:

Compressore in funzione nella gamma di temperature basse.

Alta tensione.

Spie verde + gialla + rossa fisse:

Compressore in funzione al minimo per mantenere la temperatura impostata nella posizione MAN.TEMP.

Spie gialla + rossa lampeggianti:

Segnale di difetto dall'elettronica del sistema ASU. Il tentativo di avviamento viene ripetuto dopo 1 minuto. Durante il tentativo di avviamento, l'elettronica del sistema ASU non riceve un segnale di risposta dall'elettronica nera.

Spia gialla lampeggiante:

La protezione della batteria è intervenuta a 10,0/20,0 V disattivando il compressore. Caricare le batterie accendendo il motore o collegando il caricabatterie. Il compressore si riavvia automaticamente a 12,0/24,0 V.

2.3 Consigli per l'uso

- Lo scomparto freezer è progettato per conservare prodotti congelati per pochi giorni, ma non ha la capacità necessaria per congelare.
- Se possibile, accendere il frigorifero circa 6 ore prima di riporvi i prodotti.
- Quando si utilizza la vaschetta formaghiaccio, sistemarla contro l'evaporatore senza riporvi sopra altri prodotti. Affinché il ghiaccio si formi più rapidamente, impostare il termostato sul raffreddamento max.
- Riporre i prodotti nel frigorifero senza ostacolare la circolazione dell'aria al suo interno.
- Non coprire i ripiani con plastica, carta ecc.

- Per ridurre la formazione di brina nel frigorifero, non riporre liquidi in contenitori aperti.
- Lasciare raffreddare i prodotti caldi prima di riporli nel frigorifero.

2.4 Sbrinatoria

Poiché l'evaporatore funziona a temperature inferiori al punto di congelamento, su di esso si formano ghiaccio e brina.

L'umidità dell'aria, la temperatura e il numero di aperture dello sportello influenzano notevolmente la formazione di brina.

Sbrinare sempre il frigorifero quando lo strato di brina sull'evaporatore ha uno spessore di 3-4 mm o superiore.

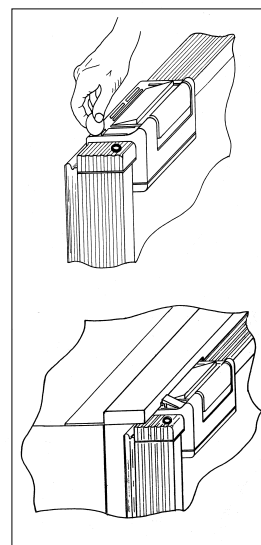
Spegnere il frigorifero ruotando il termostato in posizione 0 oppure portando in posizione centrale l'interruttore del pannello di comando ASU. Effettuare la sbrinatoria quando i prodotti possono rimanere il più possibile al fresco fuori dal frigorifero. **Non utilizzare oggetti appuntiti per rimuovere il ghiaccio e la brina dall'evaporatore in quanto potrebbe danneggiarsi causando perdite di refrigerante.**

Riaccendere il frigorifero solo dopo averlo sbrinato, pulito e asciugato con cura. Estrarre, svuotare e asciugare la vaschetta di sgocciolamento sotto l'evaporatore. All'occorrenza, durante la sbrinatoria, sistemare un asciugamano alla base del frigorifero per agevolare la raccolta dell'acqua.

3. Manutenzione

I frigoriferi Isotherm Cruise sono dotati di un impianto di raffreddamento stagno che non richiede manutenzione e rabbocco di refrigerante.

Il compressore è progettato appositamente per applicazioni mobili per garantire un rendimento e una durata eccellenti. In inverno il frigorifero deve essere conservato all'interno dell'imbarcazione, ma il compressore non funziona a temperature prossime a 0°C o inferiori. La manutenzione stagionale si limita alla pulizia del condensatore dietro il frigorifero. In particolare, è necessario spazzolare/aspirare tutta la polvere accumulata per effetto della ventola. Utilizzare una spazzola morbida e un aspirapolvere. È importante tenere pulito l'interno del frigorifero con acqua tiepida e sapone neutro. Quando il frigorifero è spento e in inverno lasciare lo sportello socchiuso in posizione di aerazione. Per portare lo sportello in posizione di aerazione, sbloccare il fermo con un coltello o una moneta. Il fermo si arresta contro la guarnizione superiore del frigorifero mantenendo aperto lo sportello. Rimuovere la lampadina o scollegare l'alimentazione per evitare di scaricare inutilmente le batterie.



3.1 Protezione per bassa tensione

Per evitare che le batterie si scarichino eccessivamente, una protezione spegne il compressore in caso di tensione insufficiente e lo riaccende solo quando la tensione nell'impianto aumenta in seguito alla ricarica delle batterie.

Tensione di sistema	Spegnimento	Spegnimento
12V	9,6 (10,4) V	10,9 (11,7) V
24V	21,3 (22,8) V	22,7 (24,2) V

Se si rimuove il ponticello nell'elettronica fra C e P sono validi i valori indicati fra parentesi.

Per i frigoriferi con ASU vale quanto segue:

Tensione di sistema	Spegnimento	Spegnimento
12V	10,0 V	12,0 V
24	22,0 V	23,5 V

4 Istruzioni per l'installazione

Molte imbarcazioni sono dotate di un apposito vano per il frigorifero. I frigoriferi Isotherm Cruise sono conformi a queste "dimensioni standard". Il frigorifero deve sempre essere in posizione orizzontale, con i piedini di gomma del compressore in basso. Il compressore può funzionare fino a un'inclinazione di 30° o, per brevi periodi, superiore. Se l'inclinazione è superiore, il compressore si disattiva e si riavvia quando l'inclinazione diminuisce. Nel modello CR 42, il compressore è montato su una mensola angolare amovibile e presenta una tubatura supplementare in un materiale particolarmente flessibile, quindi può essere posizionato fino a circa 1,5 m di distanza dal frigorifero. La tubatura deve essere sistemata con attenzione in modo che non si rompa o schiacci in corrispondenza delle curve. Non montare il frigorifero vicino a fonti di calore ed evitare che sia esposto alla luce solare diretta.

Per semplificare l'installazione del frigorifero si possono utilizzare le guide di montaggio disponibili come accessorio (per i modelli sprovvisti di telaio di montaggio di serie). Il frigorifero deve essere appoggiato ai relativi piedini di gomma e fissato in posizione per mezzo del telaio o delle guide di montaggio.

I modelli CR 49 e CR 65 sono dotati di telaio di montaggio a tre lati di serie. Gli altri modelli sono dotati di guide di montaggio accessorie (da avvitare una su ogni lato del frigorifero). Se non è possibile utilizzare le guide di montaggio, bloccare il frigorifero in modo che non si ribalti/scivoli in avanti quando si apre lo sportello e in caso di mare mosso.

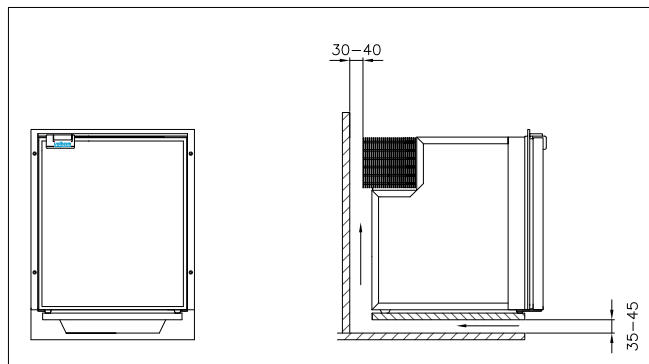
I frigoriferi CR INOX si installano allo stesso modo e sono dotati di telaio per il montaggio a filo.

4.1 Ventilazione

È molto importante che il compressore/condensatore situato dietro il frigorifero sia ben ventilato in modo che l'aria fresca possa entrare dal basso e passare dietro il frigorifero e che l'aria calda possa fuoriuscire dall'alto o dai lati.

Il flusso naturale dell'aria dal basso verso l'alto può essere aumentato praticando aperture di ventilazione in punti adatti. Le aperture devono essere di circa 100-150 cm².

Vedere la seguente figura che illustra il principio per una corretta ventilazione.



4.2 Pannellatura dello sportello

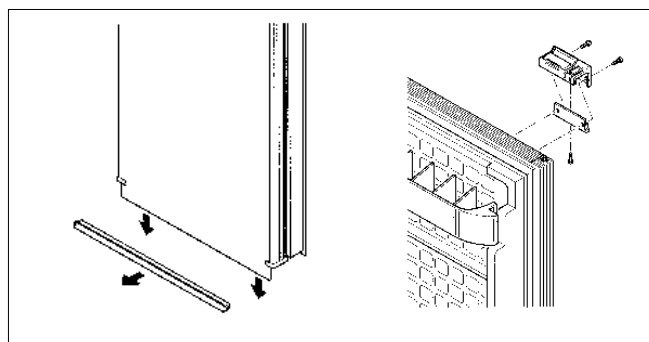
I frigoriferi CR sono dotati di serie di pannellatura dello sportello grigia. Sono disponibili pannellature opzionali in teak, mogano, ciliegio e bianco.

I modelli CR 42, 49 e 65 sono disponibili anche con sportello completamente bianco e telaio di montaggio in acciaio inox.

I modelli INOX sono dotati di sportello completamente in acciaio inox e sono sprovvisti di pannellatura dello sportello sostituibile.

È possibile montare una pannellatura dello sportello supplementare sopra quella grigia esistente. Staccare la guarnizione in plastica inferiore dello sportello tirandola in linea retta e sbloccando la chiusura. Il fermo è fissato con tre viti. Vedere figura.

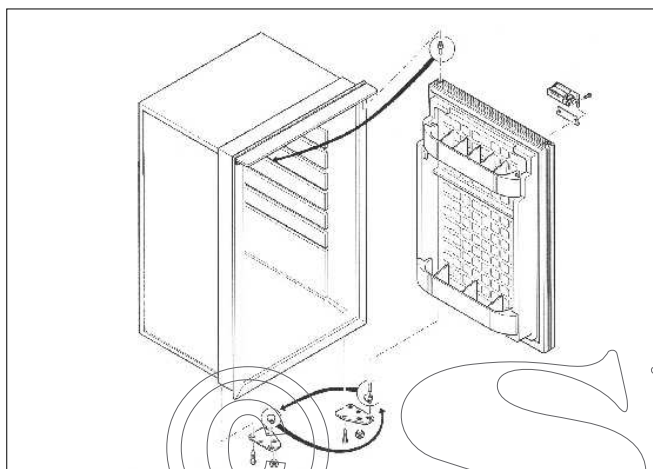
Inserire la nuova pannellatura sopra quella grigia e infilarla correttamente sotto il bordo della guarnizione superiore, quindi riposizionare manualmente la guarnizione inferiore. Rimontare il fermo.



4.3 Reversibilità dello sportello

Generalmente, lo sportello del frigorifero è incernierato a destra. È possibile invertire il senso di apertura spostando gli attacchi delle cerniere superiore e inferiore sull'altro lato. Occorre spostare sull'altro lato anche la chiusura dello sportello, vedere figura sopra. L'attacco della cerniera inferiore del modello CR 42 è progettato in modo che è sufficiente spostare sull'altro lato i particolari in plastica e il perno della cerniera. Nella parte superiore, occorre spostare sull'altro lato il perno avvitato alla guarnizione superiore.

Nei modelli CR 49, CR 65, CR 85 e CR 130 occorre spostare sull'altro lato gli attacchi delle cerniere inferiore e superiore, mentre nella parte inferiore occorre invertirli con il supporto dello sportello. Nel modello CR 100, occorre spostare sull'altro lato il perno della cerniera superiore nella griglia di ventilazione, mentre gli attacchi inferiori devono essere invertiti. Le cerniere possono essere spostate sull'altro lato anche nei modelli CR INOX (fino alla dimensione CR85 INOX), che presentano lo stesso sportello per l'apertura in entrambe le direzioni. Occorre spostare sull'altro lato gli attacchi delle cerniere superiore e inferiore. Le cerniere del modello CR 130 INOX non possono essere spostate sull'altro lato in quanto il fermo dello sportello esistente è montato lateralmente, quindi gli sportelli destro e sinistro non sono intercambiabili. Vedere figura.



4.4 Collegamenti elettrici

Per il collegamento all'impianto elettrico dell'imbarcazione, osservare quanto segue:

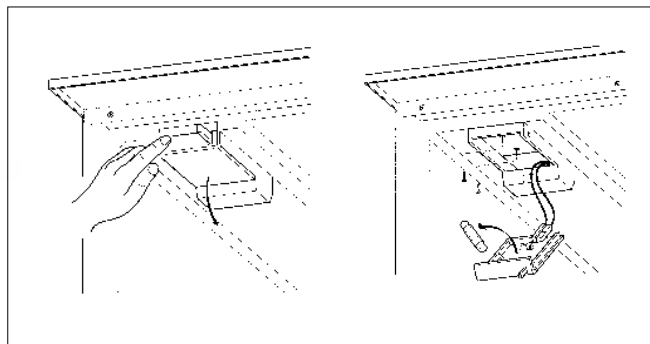
- Utilizzare sempre cavi con sezione sufficiente (vedere le raccomandazioni nella seguente tabella).
- Utilizzare sempre cavi di rame normali o stagnati a più conduttori, indicati per l'ambiente marino.
- Collegare il frigorifero direttamente alla batteria o al relativo interruttore principale. Evitare il collegamento tramite il quadro elettrico dell'imbarcazione in quanto potrebbe causare cadute di tensione.
- Inserire a monte del frigorifero un fusibile da 15 A (12 V) o 7,5 A (24 V).
- Collegare il cavo rosso al polo positivo dell'impianto elettrico e quello nero al polo negativo. Utilizzare un tipo di capocorda pressato adatto alla dimensione del cavo.
- In caso di montaggio di un interruttore separato per il frigorifero, controllare che sopporti un carico di 15 A. Non collegare il frigorifero direttamente al caricabatterie se non si dispone di una batteria collegata in parallelo.

4.5 Dimensioni dei cavi elettrici

Sezione in mm ²	Lunghezza max cavo in m. 12V	Lunghezza max cavo in m. 24V
2,5	2,5	5
4	4	8
6	6	12

4.6 Illuminazione interna

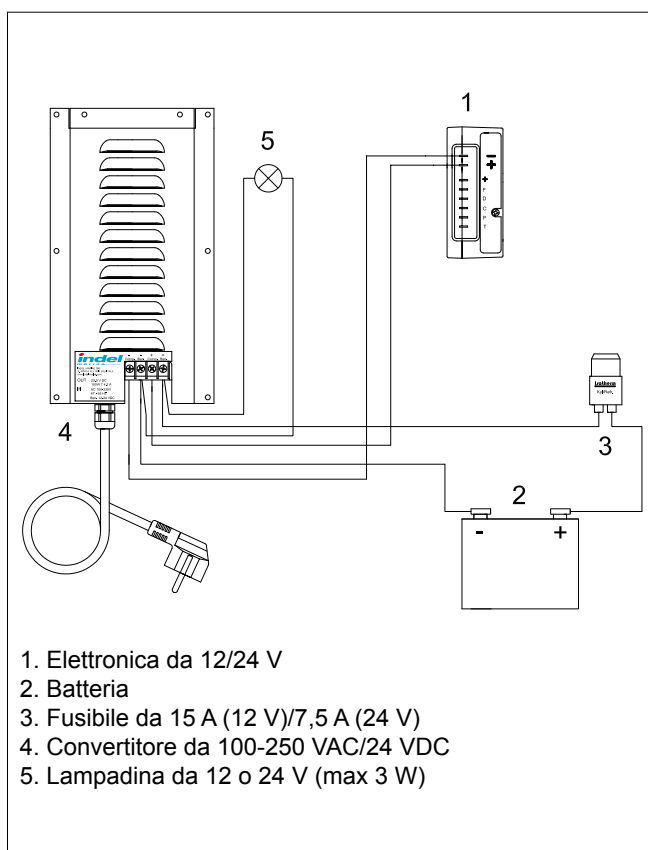
In tutti i frigoriferi, eccetto nei modelli CR 42, CR 42 INOX e CR 100, l'illuminazione interna si trova in alto. Verificare che sia montata una lampadina corretta, da 12 o 24 V a seconda della tensione di sistema a cui è collegato il frigorifero. La fornitura comprende una lampadina da 12 V o una da 24 V. Potenza max: 3 W. Per la sostituzione, premere verso il basso il vetro del gruppo di illuminazione con l'apposita levetta. Sostituire la lampadina e risistemare il gruppo di illuminazione. Vedere figura.



4.7 Funzionamento con convertitore

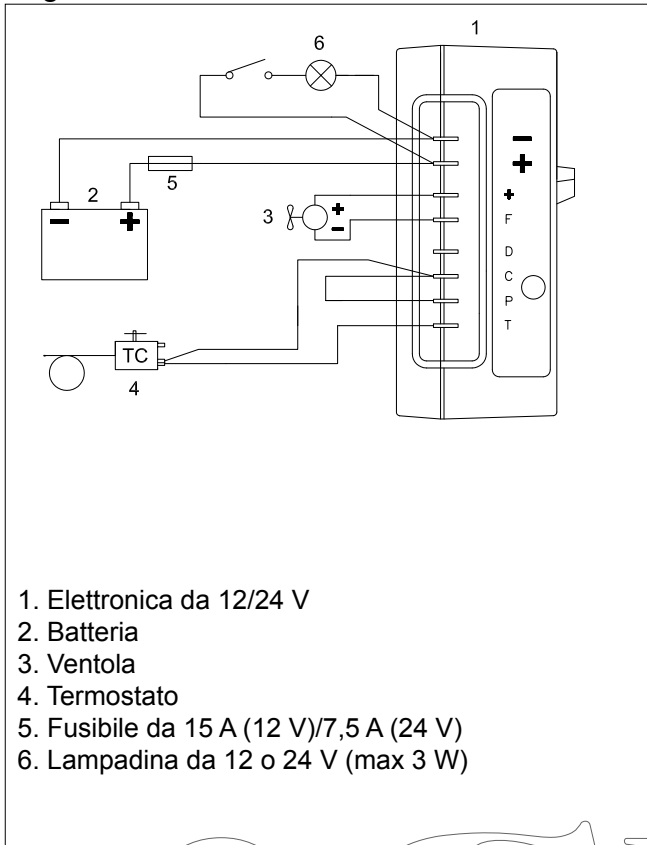
È disponibile un convertitore accessorio da montare sopra oppure a lato del frigorifero per il collegamento diretto alla rete elettrica. Il sistema dà la priorità alla rete elettrica e, quando non è disponibile, commuta automaticamente al funzionamento a batteria. Il convertitore deve essere collegato alla rete mediante una spina con messa a terra.

Schema di collegamento

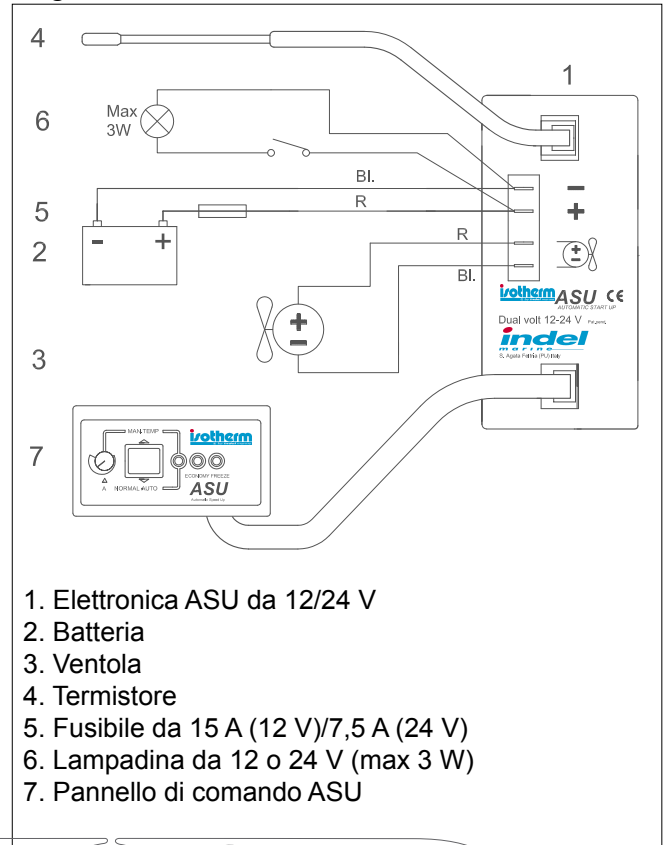


4.8 Schema elettrico

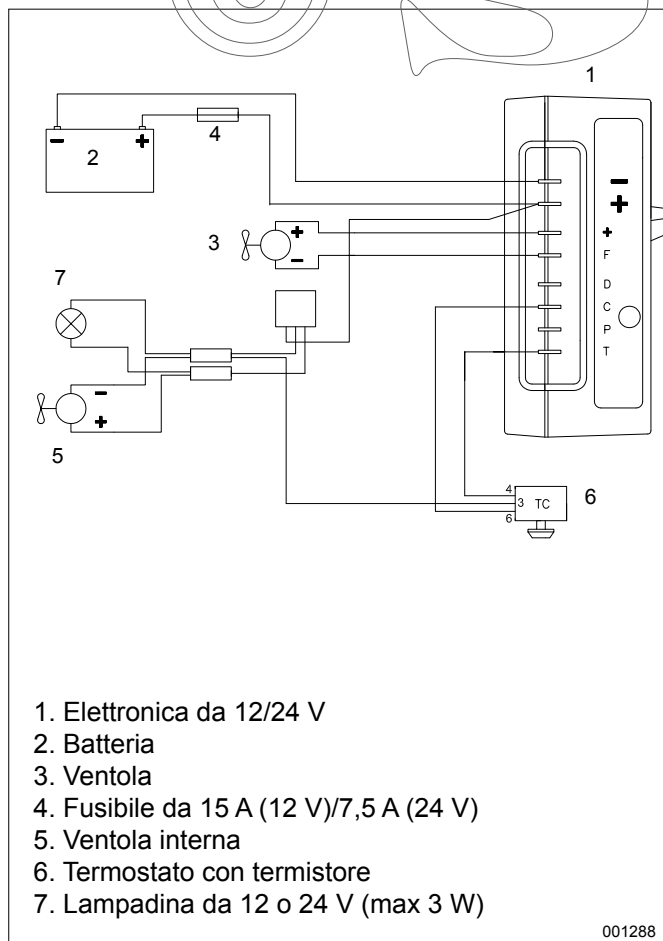
Frigorifero con termostato standard



Frigorifero con ASU

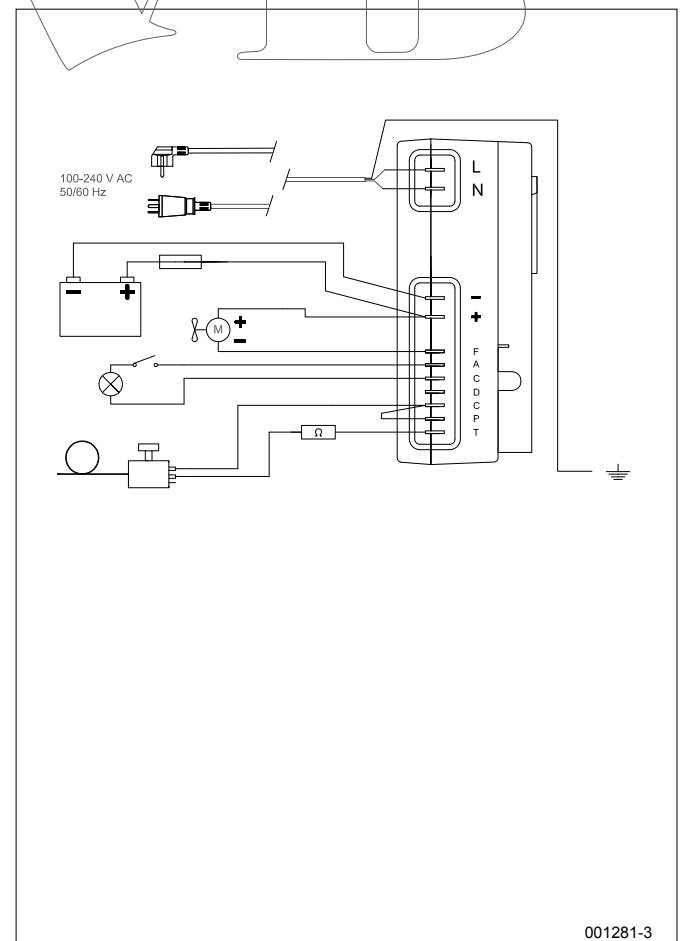


Frigorifero CR 130 Drink



001288

AC/DC 100-240V / 12-24V



001281-3

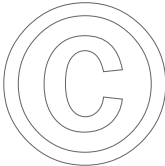
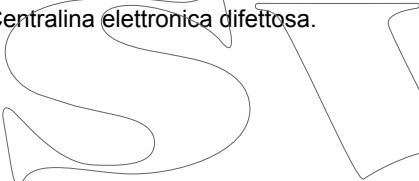
5 Dati tecnici

Tensione di esercizio	12 o 24 VDC
Consumo elettrico con compressore in funzione:	CR 42, 49 e 65: 2,5 - 2,7 A a 12 V (la metà a 24 V) CR 85 e 100: 3,8 - 4 A a 12 V CR 130: 4,7 - 5 A a 12 V CR 130 Drink: 5 - 5,3 A a 12 V
Consumo medio:	CR 42 e 49: 0,6 A a 12 V CR 65: 0,7 A a 12 V CR 85: 0,8 A a 12 V CR 100: 1,0 A a 12 V CR 130: 1,2 A a 12 V CR 130 Drink: 1,4 A a 12 V
Consumo medio misurato con temperatura interna di +6°C e temperatura esterna di 22°C. Il consumo medio è influenzato notevolmente da modo di utilizzo del frigorifero e tipo di ventilazione.	
Compressore:	Danfoss BD35F
Refrigerante:	R134a (la capacità dell'impianto è indicata sulla targhetta dati del frigorifero).
Fusibile:	Protezione da: 15 A (12 V) o 7,5 A (24 V)



I frigoriferi soddisfano la direttiva EMC vigente e sono dotati di marchio CE.

6 Ricerca dei guasti

Difetto	Possibile causa	Intervento
Il frigorifero non si raffredda, il compressore non si avvia. 	Manca l'alimentazione. Batterie in cattivo stato. Termostato difettoso. Centralina elettronica difettosa. 	Controllare che la centralina elettronica riceva alimentazione e tensione sufficiente, controllare il fusibile. Controllare se l'illuminazione interna funziona e il compressore riceve alimentazione. Controllare cavi, capicorda e connettori. Controllare che la batteria si ricarichi correttamente. Controllare il termostato: Ponticellare T - C con cavo separato. Se il compressore non si avvia, probabilmente è difettosa l'elettronica. Sostituirla. Se il compressore si avvia con il ponticello, è difettoso il termostato. Sostituire il termostato.
Il compressore compie solo brevi tentativi di avviamento.	Una tensione insufficiente o una caduta di tensione durante il tentativo di avviamento attiva la protezione. Batterie scariche.	Controllare cavi e collegamenti; rimuovere eventuali tracce di ossidazione o corrosione. Caricare le batterie, accendere il motore o collegare il caricabatterie.
Il compressore funziona ma non raffredda.	Perdite di refrigerante dall'evaporatore o dalla tubatura. Tubatura intasata.	Effettuare una prova perdite e riparare eventuali perdite, aspirare e rabboccare la quantità corretta di refrigerante R134a. (Questo intervento deve essere effettuato da un tecnico.)
Il compressore funziona a lungo ma raffredda in modo insufficiente (efficienza ridotta).	Ventilazione insufficiente, surriscaldamento del condensatore. La ventola non funziona. Troppa brina sull'evaporatore. Lo sportello non si chiude correttamente, lascia entrare aria calda e umida. Condensatore ostruito dalla polvere	Aumentare la ventilazione. Sostituire la ventola. Sbrinare. Correggere la posizione dello sportello e controllarne la guarnizione. Pulire il condensatore.
Il fusibile salta.	Fusibile errato. Centralina elettronica difettosa.	Controllare il fusibile: 15 A (12 V)/7,5 A (24 V). Sostituire la centralina elettronica.

In caso di difetti più complessi che richiedono assistenza specializzata, rivolgersi alla Indel Webasto Marine S.r.l. Italia o al distributore Isotherm locale.

7 Misure di installazione

Technical drawings of CR refrigerators. The top row shows a front view with width B and height H, and a side view with dimensions D3, D1, and D2. The bottom row shows a front view with width B and height H, and a side view with dimensions D1 and D2.

Frigoriferi CR

	B *	H *	D1	D2	D3
CR 42	380	525	319	40	165

*) Largh. x Alt. = luce, misure minime

	B *	H *	D1	D2
CR 49	380	525	470	40
CR 65	450	530	500	40
CR 85	475	625	515	40
CR 100	485	745	455	40
CR130	525	745	505	40

*) Largh. x Alt. = luce, misure minime

Disegni più dettagliati sono disponibili al sito www.indelwebastomarine.com

Technical drawings of CR INOX refrigerators. The top row shows a front view with width B and height H, and a side view with dimensions D3, D1, and D2. The bottom row shows a front view with width B and height H, and a side view with dimension D1.

Frigoriferi CR INOX

	B *	H *	D1	D3
CR 42 INOX	400	530	515	165

*) Largh. x Alt. = luce, misure minime

	B *	H *	D1
CR 49 INOX	400	530	510
CR 65 INOX	470	530	540
CR 85 INOX	495	625	555
CR 130 INOX	545	755	545

*) Largh. x Alt. = luce, misure minime

Disegni più dettagliati sono disponibili al sito www.indelwebastomarine.com

Inhalt

- 1 Einführung
 - 1.1 Allgemeines
 - 1.2 Sicherheitsvorschriften
 - 1.3 Umwelt

- 2 Bedienungsanleitung
 - 2.1 Temperaturregelung mit Thermostat
 - 2.2 Temperaturregelung mit ASU
 - 2.3 Anwendungshinweise
 - 2.4 Entfrostung

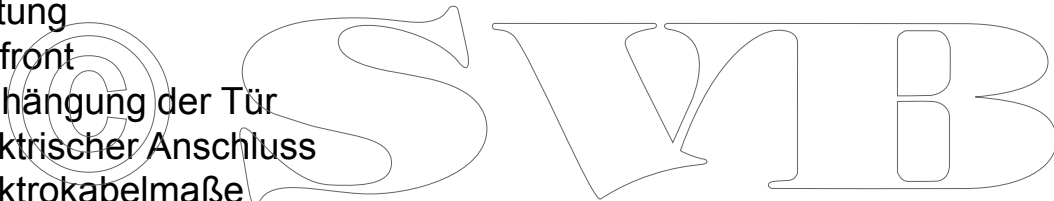
- 3 Wartung
 - 3.1 Spannungswächter

- 4 Einbauanleitung
 - 4.1 Lüftung
 - 4.2 Türfront
 - 4.3 Umhängung der Tür
 - 4.4 Elektrischer Anschluss
 - 4.5 Elektrokabelmaße
 - 4.6 Innenbeleuchtung
 - 4.7 Betrieb mit Konverter
 - 4.8 Schaltplan

- 5 Technische Daten

- 6 Fehlersuche

- 7 Einbaumaße



1. Einführung

1.1 Allgemeines

Die Bootkühlschränke von Isotherm sind in Leistung und Ausführung an die hohen Anforderungen angepasst, die auf See gestellt werden.

Sie verfügen über einen modernen, hermetisch abgedichteten Kompressor, der nicht nur minimalen Stromverbrauch, sondern auch einen extrem niedrigen Schallpegel gewährleistet. Die Kühlschränke lassen sich einfach einbauen. Sie vertragen eine Neigung von bis zu 30°, vorübergehend auch mehr.

Zur Sicherstellung der optimalen Funktion sind folgende Punkte zubeachten:

- Den Kühlschrank nicht unnötig häufig öffnen. Dadurch erhöht sich der Stromverbrauch.
- Eine gute Belüftung von Kompressor und Kondensator wirkt sich stark positiv auf den Stromverbrauch aus.
- Eine gut funktionierende Elektroanlage wird vorausgesetzt. Batterien und ihren Ladezustand regelmäßig überprüfen. Der Motor muss immer eine eigene, separate Startbatterie haben. Die Anweisungen bezüglich der Kabelabmessungen und Sicherungen sind genau zu befolgen.
- Den Kühlschrank sauber und trocken halten. Eventuell vorhandenes Kondenswasser aus der Abtropfschale unter dem Gefrierfach im Kühlschrank entleeren.
- Die Tür immer zur Entlüftung öffnen, wenn der Kühlschrank über längere oder kürzere Zeiträume hinweg nicht in Betrieb ist. (Siehe Abb. 1 und 2)
- Den Kühlschrank vor Inbetriebnahme innen mit einer milden Seifenlauge und lauwarmem Wasser reinigen.

Die Kühlschränke sind mit einem Gefrierfach mit Klappe versehen, dass sich ganz oben im Gerät befindet. Es ist für die kurzzeitige Aufbewahrung von Gefrierwaren vorgesehen, max. 4-5 Tage, und wird nicht so kalt wie zum Einfrieren von Waren erforderlich. Mit Hilfe des Eisbehälters kann im Gefrierfach

Eis zubereitet werden.

CR 130 Drink ist nicht mit einem Gefrierfach ausgestattet.

CR 49, 65, 85 & 130 sind auch in einer INOX-Version erhältlich.

Sie verfügen über eine exklusivere Türaußenseite aus Edelstahlblech, einen dreiseitigen Edelstahlrahmen für die bündige Montage und ein kräftiges Türschloss aus Edelstahl. Auch einige Einrichtungsdetails bestehen aus Edelstahl.

1.2 Sicherheitsvorschriften



- Beim Anschluss an Landstrom ist die Stromversorgung mit einer Schutzerdung und über einen FI-Schalter anzuschließen, andernfalls besteht große Verletzungsgefahr. Keine beschädigten oder nichtisolierten Kabel berühren, die an das Landnetz angeschlossen sind. Lebensgefahr!



- **Es dürfen auf keinen Fall Eingriffe in den Kühlmittelkreislauf vorgenommen werden.**
- Das Kühlmittel darf nicht in die Luft gelangen.
- Darauf achten, dass die Lüftungsanlage der Kühleinheit nicht blockiert wird.
- Den Kühlschrank nicht neben einer Wärmequelle wie Gasherd, Heizelement usw. montieren.
- Den Kühlschrank trocken und gegen Wasserspritzer geschützt montieren.
- Batterieladegeräte nicht direkt an die Kühleinheit anschließen. Batterieladegeräte müssen an die Batterie angeschlossen werden.
- Neben der Batteriesäure kann eine frisch geladene Batterie auch explosives Knallgas enthalten. **Gefahr!**
- Spraydosenverpackungen, die feuergefährliches Treibgas enthalten, dürfen nicht im Kühlschrank gelagert werden.
- Das Kühlmittelsystem des Kühlschranks darf nur von befugtem Personal repariert werden.

1.3 Umwelt

In Übereinstimmung mit den Anforderungen der Europäischen Richtlinie 2002/96/EG über Elektro- und Elektronik-Altgeräte (WEEE) ist vorliegendes Gerät mit einer Markierung versehen. Sie leisten einen positiven Beitrag für den Schutz der Umwelt und die Gesundheit des Menschen, wenn Sie dieses Gerät einer gesonderten Abfallsammlung zuführen.

In unsortierten Siedlungsmüll könnte ein solches Gerät durch unsachgemäße Entsorgung negative Konsequenzen nach sich ziehen.

Auf dem Produkt oder der beiliegenden Produktdokumentation ist folgendes Symbol



Einer durchgestrichenen Abfalltonne abgebildet.

Es weist darauf hin, dass eine Entsorgung im normalen Haushaltsabfall nicht zulässig ist. Entsorgen Sie dieses Produkt im Recyclinghof mit einer getrennten Sammlung für Elektro- und Elektronikgeräte.

Die Entsorgung muss gemäß den örtlichen Bestimmungen zur Abfallbeseitigung erfolgen.

Bitte wenden Sie sich an die zuständigen Behörden Ihrer Gemeindeverwaltung, an den lokalen Recyclinghof für Haushaltsmüll oder an den Händler, bei dem Sie dieses Gerät erworben haben, um weitere Informationen über Behandlung, Verwertung und Wiederverwendung dieses Produkt zu erhalten.



2. Bedienungsanleitung

Die Kühlschränke sind in zwei Versionen erhältlich, als Standard mit mechanischem Thermostat und als Zuwahl mit ASU.

CR 42 und CR sind nicht mit ASU als Zuwahl lieferbar. Die Geräte werden in der nachfolgenden Beschreibung der Temperaturregelung getrennt behandelt. Die Kühlschränke sind für den Einsatz in Umgebungstemperaturen zwischen 0°C und +45°C vorgesehen.

2.1 Temperaturregelung mit Thermostat

Mit dem Thermostat wird die Temperatur des Kühlschranks stufenlos geregelt. Er verfügt außerdem über eine Abschaltfunktion, die durch Drehung gegen den Uhrzeigersinn bis zum Anschlag aktiviert wird.

Beim Abschalten ist ein spürbarer Widerstand im Drehschalter zu überwinden. Die Abbildungen unten zeigen, wo sich der Thermostat-Drehschalter im jeweiligen Kühlschrankmodell befindet. Die Temperatur wird wie folgt geregelt: Wenn der Thermostat im Uhrzeigersinn gedreht wird, wird der Kühlraum kälter.

Beim Drehen gegen den Uhrzeigersinn wird der Kühlraum wärmer. Es wird empfohlen, im Kühlschrank eine Temperatur von 5-6°C zu halten.

Die Umgebungstemperatur beeinflusst die Temperatur im Kühlschrank.

Daher kann es schwierig sein, die richtige Temperatur im Kühlschrank zu halten, wenn dieser Wärme und direkter Sonneneinstrahlung ausgesetzt ist.



Platzierung des Thermostats am CR 100, rechts im Lüftungsgitter über der Tür.

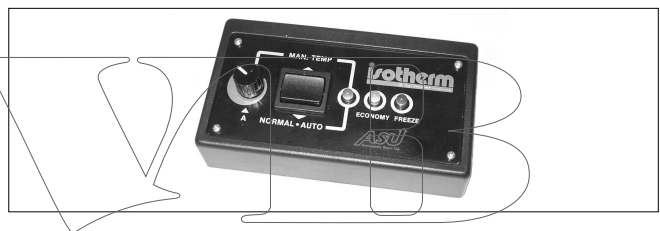


Platzierung des Thermostats im CR 130 Drink, in der Beleuchtungsarmatur.

2.2 Temperaturregelung mit ASU

Das Isotherm ASU Kühlsystem kann auf zwei Arten betreiben werden. Schalter auf „NORMAL.AUTO“ Position– die optimale Kühltemperatur wird automatisch eingehalten bei absolut niedrigstem Batterieverbrauch (energiesparend). «MAN.TEMP» Position– die automatische Funktion ist teilweise blockiert, die Kühltemperatur kann manuell eingestellt werden.

Die Schaltbrett muss gut einseh- und bedienbar plaziert werden und innerhalb der 4-Meter Kable von der elektronischen Kontrollbox zum Kompressor liegen. Bohren sie ein 12 mm Loch für das Kabel. Die Schalttafel kann auch in das umgebende Plastikgehäuse eingelassen werden.

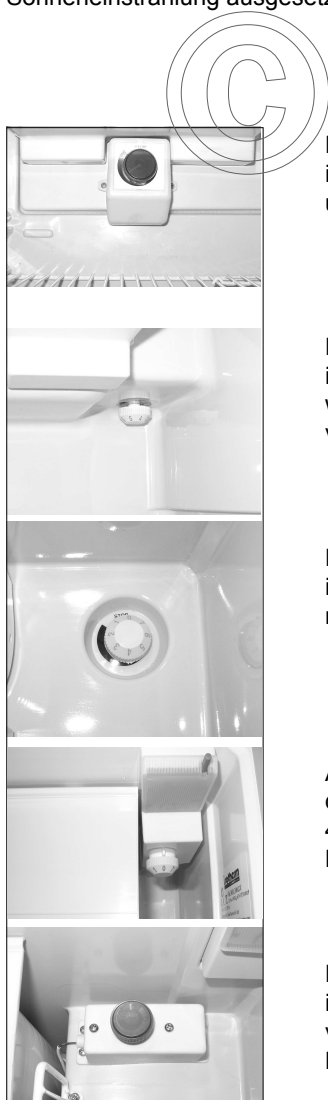


Position NORMAL.AUTO

Das grüne Licht leuchtet auf und zeigt damit an, dass Strom geliefert und das Kühlprogramm aktiviert wird.

Wenn der Motor läuft und dies zugeführte Spannung (gemessen an der ASU Kontrolleinheit des Kompressors) über 13,2 Volt (26,4) ist, beginnt der Kompressor, Kühlenergie an den Kältespeicher zu liefern. Er startet innerhalb 30 Sekunden und arbeitet zuerst bei niedriger Drehzahl, wobei das gelbe Licht «Economy» aufleuchtet. Nach 30 Sekunden erhöht sich die Drehzahl des Kompressors und des Lüfters um 75 %, das rote Licht «Freeze» leuchtet auf. Dieser Betriebszustand wird beibehalten, bis der Kältespeicher vollständig gefroren ist bei ca. -14°C. Das kann 20 bis 40 Minuten dauern, je nach Modell, Umgebungstemperatur und Kühlschrankgröße. Ist die Temperatur erreicht, stoppt der Kompressor und das rote Licht geht aus. Wenn die Temperatur des Kältespeichers auf -10°C ansteigt, startet der Kompressor erneut, um den Kältespeicher «aufzuladen», das rote Licht geht wieder an. Dieser Vorgang wiederholt sich, damit der Kältespeicher unter optimalen Bedingungen arbeiten kann.

Wird der Motor gestoppt, geht kurz danach auch der Kompressor aus. Wenn der Motor nicht läuft und der Batteriespannung unter 12,7 Volt (25,4) ist, wird zuerst die im Kältespeicher vorhandene Kühlenergie genutzt. Erst wenn diese verbraucht ist, startet der Kompressor wieder, das gelbe Licht geht an, was bedeutet, dass er nun vorzugsweise bei «Economy» Drehzahl läuft um den Kältespeicher aufzufüllen. Dieser Vorgang tritt ein, wenn die Temperatur des Kältespeichers -1° angestiegen ist. Er wird beendet, wenn wieder -6° erreicht ist.



Platzierung des Thermostats im CR 42, an der Rückwand unter dem Kältefach.

Platzierung des Thermostats im CR 49, an der hinteren waagerechten Wand rechts vom Kältefach.

Platzierung des Thermostats im CR 65, an der Rückwand rechts vom Kältefach.

Alternative Platzierung des Thermostats im CR 49 und CR 65, in der Beleuchtungsarmatur.

Platzierung des Thermostats im CR 85 & CR130, rechts vom Kältefach hinter der Beleuchtungsarmatur.

Position MAN.TEMP

Diese Schaltstellung kann benutzt werden, wenn Land- oder Solarstrom verwendet wird oder aus anderen Gründen eine niedriger oder höhere Kühltemperatur benötigt wird. Die Automatikfunktion ist dann blockiert, die Temperatur wird mit Hilfe eines Regelwiderstands eingestellt – im Uhrgegn = kälter, entgegen dem Uhrgegn = wärmer.

«A» ist der «Ackumulationspunkt» für die Kältespeichertemperatur. In diese Schaltstellung arbeitet der Kompressor vorzugsweise auf niedriger Drehzahl (Motor ist gestoppt, der Geräuschpegel von Kompressor und Lüfter ist extrem niedrig und angenehm).

Sobald die Temperatur-Differenz zwischen der eingestellten (gewünschten) Temperatur und der Innen-Temperatur (Kühlschrank) grösser als 6° C ist, wird der Kompressor automatisch mit höherer Drehzahl betrieben, umeine schnellere Abkühlung zu erreichen. Sobald diese Schnell-Kühlung nicht mehr benötigt wird, reduziert die Elektronik die Drehzahl des Kompressors, um die eingestellte Temperatur mit niedrigstem Stromverbrauch zu halten.

Leuchtanzeigen

Grün:

Strom liegt an, aber Kompressor läuft nicht.

Grün + gelb:

Kompressor läuft bei niedriger Drehzahl, der Kältespeicher wird schwach „nachgefüllt“.

Niedrig Spannung.

Grün + rot:

Kompressor läuft auf höchster Drehzahl, der Kältespeicher wird stark gekühlt.

Hoch Spannung.

Grün + gelb + rot:

Kompressor läuft vorzugsweise bei niedriger Drehzahl im „MAN.TEMP.“

Blinkendes gelb + rot:

Fehlersignal von ASU/Steuereinheit.

Automatischer Neustart nach 1 Minute. (Repetiert)

Blinkendes gelb:

Sensor hat zu niedrigen Batteriespannung erkannt und das System abgeschaltet. Automatischer Neustart, wenn Motor läuft oder Batterien wieder auflädt.

Nach dem Anschalten dauert es 30 Sekunden, bevor der Kompressor Startet. Wenn der Motor gestartet ist sind ½ bis 10 Minuten Warten erforderlich (je nach Ladeausrüstung des Bootes und Batteriezustand), bevor das System reagiert. Wenn der Motor gestoppt ist, vergehen ½ bis 5 Minuten (je nach Batteriezustand), bevor das System reagiert.

2.3 Anwendungshinweise

- Das Gefrierfach ist für die kurzzeitige Aufbewahrung von Gefrierwaren vorgesehen. Es verfügt nicht über Einfrierkapazität.
- Kühlschrank möglichst 6 Stunden vor der Beladung mit Kühlwaren einschalten.
- Eis im Eisbehälter zubereiten, diesen direkt am Verdampfer platzieren und keine anderen Waren darauf stellen. Zur schnelleren Eisbereitung Thermostat auf max. Kälte einstellen.
- Waren so einladen, dass die Luft im Kühlschrank zirkulieren kann.
- Fächer nicht mit Kunststoff oder Papier u.ä. auslegen.
- Keine unverschlossenen Flüssigkeiten in den Kühlschrank stellen, um die Frostbildung zu verringern.
- Warme Waren abkühlen lassen, bevor sie im Kühlschrank platziert werden.

2.4 Entfrostung

Da der Verdampfer bei Temperaturen unter dem Gefrierpunkt arbeitet, bilden sich Frost und Eis am Verdampfer.

Die Frostbildung wird im hohen Maße durch Luftfeuchtigkeit, Temperatur und Häufigkeit der Türöffnung beeinflusst.

Kühlschrank regelmäßig entfrostet, wenn die Frostschrift auf dem Verdampfer 3-4 mm oder stärker ist. Kühlschrank durch Drehen des Thermostats auf 0-Position abschalten, bzw. am ASU Bedientableau,

Ein-/Ausschalter in Mittelposition. Möglichst dann entfrostet, wenn die Waren so kalt wie möglich außerhalb des Kühlschranks gelagert werden können.

Keine scharfen Gegenstände verwenden, um Eis und Frost vom Verdampfer zu entfernen. Dieser könnte beschädigt werden, mit dem Austritt von Kühlmittel als Folge.

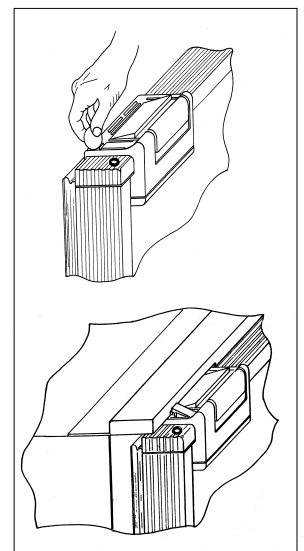
Kühlschrank erst wieder anschalten, wenn er völlig entfrosten, trocken und sauber ist. Tropfschale unter dem Verdampfer herausziehen, entleeren und abtrocknen. Bei der Entfrostung evtl. ein Handtuch unten in den Kühlschrank legen, um Schmelzwasser aufzufangen.

3. Wartung

Isotherm Cruise Kühlschränke verfügen über ein hermetisch abgeschlossenes Kühlsystem, das keine Wartung oder Auffüllung von Kühlmittel erfordert.

Der Kompressor ist speziell für mobile Anwendungen ausgelegt, er verfügt über einen besonders hohen Wirkungsgrad und eine außergewöhnlich lange Lebensdauer. Der Kühlschrank sollte den Winter über im Boot bleiben. Jedoch kann der Kompressor nicht starten, wenn die Temperatur bei 0°C oder tiefer liegt. Die saisonale Wartung beschränkt sich auf die Reinigung des Kompressors auf der Rückseite. Aufgrund des Lüfters sammelt der Kompressor Staub, der abzubürsten oder abzusaugen ist. Die Arbeit wird mit weicher Bürste und Staubsauger ausgeführt. Innen ist

der Kühlschrank sorgfältig mit lauwarmem Wasser und einer milden Seifenlauge reinzuhalten. Im Winter, und wenn der Kühlschrank abgeschaltet ist, muss die Tür in Lüftungsposition offen stehen. Das Türschloss ist mit einer Lüftungssperre versehen, der Sperrhaken wird mit einem Messer oder einer Münze gelöst. Die Sperre liegt gegen die Oberleiste des Kühlschranks an, so dass die Tür offen bleibt. Die Glühlampe herausnehmen oder den Strom zum Kühlschrank unterbrechen, damit die Lampe nicht unnötig Batteriestrom verbraucht.



3.1 Spannungswächter

Um die Batterien gegen Tiefentladung zu schützen, schaltet ein Batteriewächter den Kompressor bei zu niedriger Spannung ab. Die Einschaltung erfolgt erst wieder, wenn die Spannung im System durch Aufladen der Batterien erhöht wurde.

Systemspannung V	Abschaltung V	Einschaltung V
12	9,6 (10,4)	10,9 (11,7)
24	21,3 (22,8)	22,7 (24,2)

Wenn die Überbrückung zwischen C und P am Elektronikteil entfernt wird, gelten die Werte in Klammern.

Für ASU Kühlschränke gilt folgendes:

Systemspannung V	Abschaltung V	Einschaltung V
12	10,0	12,0
24	22,0	23,5

4 Einbauanleitung

Viele Boote verfügen über einen Stauraum, der für den Kühlschrank vorgesehen ist. Kühlschränke von Isotherm haben die allgemein verwendeten Standardabmessungen. Der Kühlschrank muss immer waagrecht stehen, mit den Gummifüßen des Kompressors nach unten. Der Kompressor verträgt eine Neigung von bis zu 30°, ohne sich abzuschalten, kurzzeitig auch mehr. Bei größeren Neigungen schaltet sich der Kompressor ab und startet wieder, wenn sich die Neigung verringert hat. Beim CR 42 ist der Kompressor auf einer Winkelkonsole montiert, die vom Kühlschrank abgenommen werden kann. Er verfügt über eine zusätzliche Rohrleitung aus leicht biegbarem Material, so dass der Kompressor mit einem Abstand von ca. 1,5 m zum Kühlschrank platziert werden kann.

Die Rohrleitung ist sehr vorsichtig zu behandeln, damit sie beim Biegen nicht bricht oder zusammengedrückt wird. Der Kühlschrank sollte nicht in der Nähe einer Wärmequelle und nicht so montiert werden, dass er dem direkten Sonnenlicht ausgesetzt ist.

Die Montage des Kühlschranks wird erleichtert, wenn Montageschienen, die als Zubehör lieferbar sind, bei den Modellen zum Einsatz kommen, die in der Standardversion nicht über einen Montagerahmen verfügen. Der Kühlschrank muss auf seinen Gummifüßen stehen und mit Hilfe von Montagerahmen bzw. Montageschienen fixiert werden.

CR 49 & CR 65 verfügen standardmäßig über einen dreiseitigen Montagerahmen. Für die anderen Modelle sind als Zubehör Montageschienen erhältlich. Diese werden jeweils an einer Seite des Kühlschranks festgeschraubt. Wenn keine Montageschienen verwendet werden können, ist der Kühlschrank in seiner Position zu blockieren, damit er beim Öffnen und bei Seegang nicht nach vorn kippen/gleiten kann.

CR INOX Kühlschränke werden auf die gleiche Weise montiert. Sie verfügen immer über einen Montagerahmen für den bündigen Einbau.

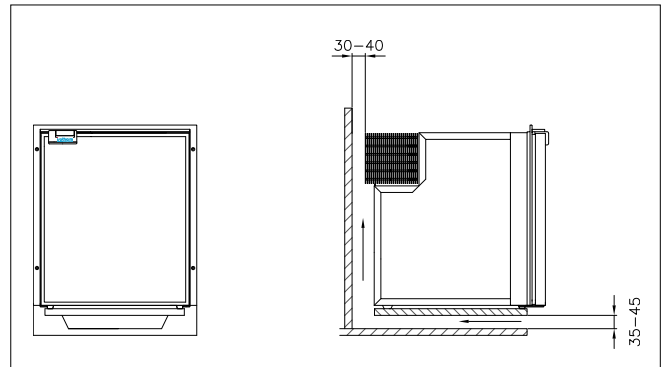
4.1 Lüftung

Es ist ausgesprochen wichtig, dass der Kompressor/Kondensator an der Rückseite des Kühlschranks gut belüftet ist, so dass kalte Luft von unten zugeführt wird, hinter dem

Kühlschrank vorbeiströmt und die erwärmte Luft nach oben oder seitwärts abgeleitet werden kann.

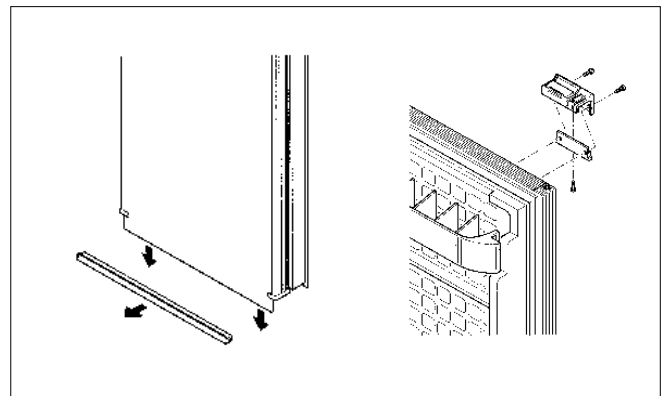
Der natürliche Luftstrom von unten nach oben kann erheblich verbessert werden, indem an geeigneten Stellen Lüftungsöffnungen angebracht werden. Eine geeignete Größe für die Öffnungen ist 100-150 cm².

Siehe Abb. unten mit einem Prinzip für gute Lüftung.



4.2 Türfront

CR Kühlschränke sind in der Standardausführung mit einer grauen Türfront versehen. Als Zuwahl sind Türfronten in Teak, Mahagoni, Kirschbaum und Weiß erhältlich. CR 42, 49 & 65 sind auch in einer Ausführung mit völlig weißer Tür und Montagerahmen aus Edelstahl lieferbar. Die INOX Modelle sind mit einer Tür komplett in Edelstahl ausgestattet, die Türfront lässt sich nicht auswechseln. Die zusätzliche Türfront wird von außen auf die vorhandene graue Front montiert. Untere Kunststoffleiste an der Tür lösen und gerade herausziehen. Außerdem Türschloss lösen, es ist mit drei Schrauben befestigt. Siehe Abb. Die neue Front auf die graue schieben und richtig bis unter die Kante der oberen Leiste schieben. Die untere Leiste mit Handkraft wieder in ihre Position drücken. Das Schloss wieder anbringen.



4.3 Umhängung der Tür

Die Tür ist als Standard rechts am Kühlschrank aufgehängt. Sie kann auf die andere Seite umgehängt werden, indem man die oberen und unteren Scharnierbeschläge auf die andere Seite versetzt.

Auch das Türschloss wird auf die andere Seite versetzt, siehe Abb. oben.

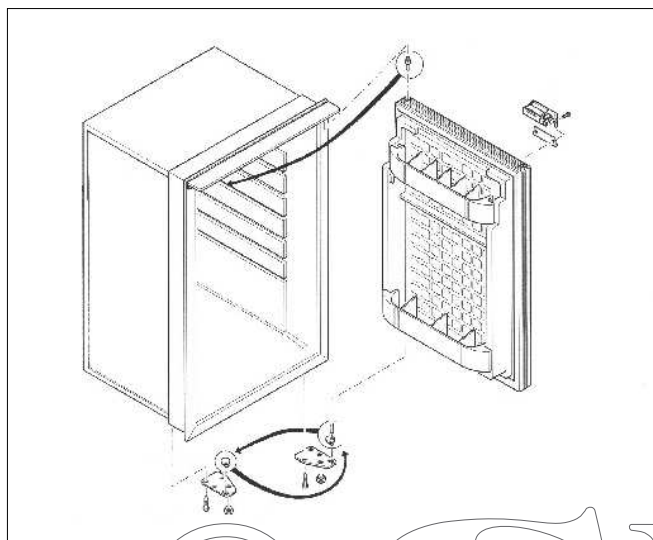
Beim CR 42 ist der untere Scharnierbeschlag so ausgeführt, dass es reicht, die Kunststoffdetails und den Scharnierstift auf die andere Seite zu versetzen.

Oben wird der Stift, der in die Oberleiste geschraubt ist, auf die andere Seite versetzt.

Beim CR 49, 65, 85 & 130 werden die oberen und unteren Scharnierbeschläge auf die andere Seite versetzt. Unten tauschen sie den Platz mit der Türstütze.

Beim CR 100 wird der obere Scharnierstift im Lüftungsgitter auf die andere Seite versetzt, und die unteren Beschläge tauschen den Platz miteinander. Beim CR INOX kann die Tür bis zur Größe CR85 INOX ebenfalls auf die andere Seite umgehängt werden, diese Geräte haben dieselbe Tür für Rechts- und Linksaufhängung. Die oberen und unteren Scharnierbeschläge werden auf die andere Seite versetzt. Beim CR 130 INOX kann die vorhandene Tür nicht umgehängt werden, das Türschloss ist an der Seite montiert. Dieses Gerät ist daher in Links- und Rechtsausführung lieferbar.

Siehe Abb.



4.4 Elektrischer Anschluss

Beim Anschluss an die Elektroanlage des Bootes sind folgende Punkte unbedingt zu beachten:

- Immer einen großzügigen Kabelquerschnitt verwenden, siehe Empfehlungen in der nachstehenden Tabelle
- Immer mehrdrähtige oder verzinnnte Kupferkabel für den Einsatz auf See verwenden.
- Den Kühlschrank direkt an die Verbrauchsbatterie oder deren Hauptschalter anschließen. Den Umweg über den Verteiler des Bootes vermeiden, da es hierdurch zu unnötigem Spannungsabfall kommen kann.
- Der Kühlschrank ist mit 15 A für 12 Volt bzw. 7,5 A für 24 Volt abzusichern.
- Das rote +Kabel an die Plusseite der Elektroanlage anschließen, und das schwarze an Minus. Die richtigen gepressten Kabelschuhe für die gewählten Kabelabmessungen verwenden.
- Wenn ein separater Schalter für den Kühlschrank montiert wird, muss dieser einer Belastung von 15 A standhalten.

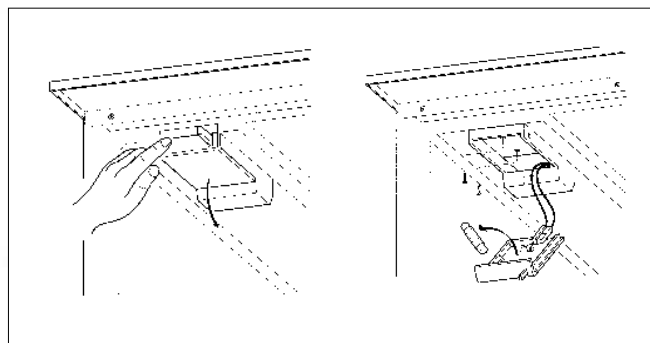
Der Kühlschrank darf nicht direkt an ein Batterieladegerät angeschlossen werden, ohne dass eine Batterie parallelgeschaltet ist.

4.5 Elektrokabelmaße

Kabelquerschnitt mm ²	Max. Kabellänge in m, 12V	Max. Kabellänge in m, 24V
2,5	2,5	5
4	4	8
6	6	12

4.6 Innenbeleuchtung

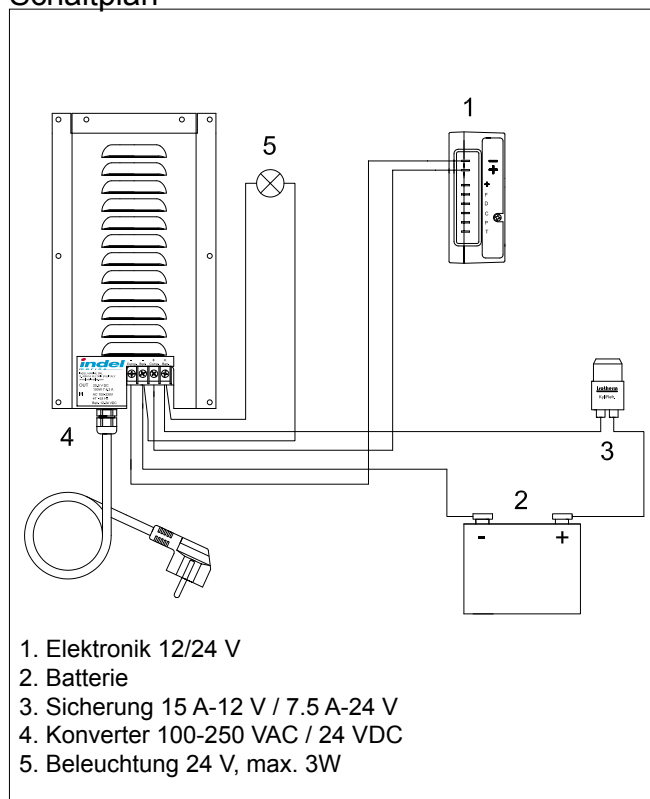
Alle Kühlschränke außer CR 42, CR 42 INOX und CR 100 sind mit einer Innenbeleuchtung ausgestattet, die oben im Kühlschrank montiert ist. Es ist darauf zu achten, dass die richtige Glühlampe eingesetzt wird, 12 oder 24 Volt, abhängig von der Systemspannung, an die der Kühlschrank angeschlossen wird. Je eine 12 und 24 Volt Glühlampe ist im Lieferumfang enthalten. Es dürfen max. 3 W verwendet werden. Beim Austausch das Leuchtenglas mit Hilfe der Druckstange nach unten drücken. Lampe auswechseln und Beleuchtungseinsatz wieder in seine Position drücken. Siehe Abb.



4.7 Betrieb mit Konverter

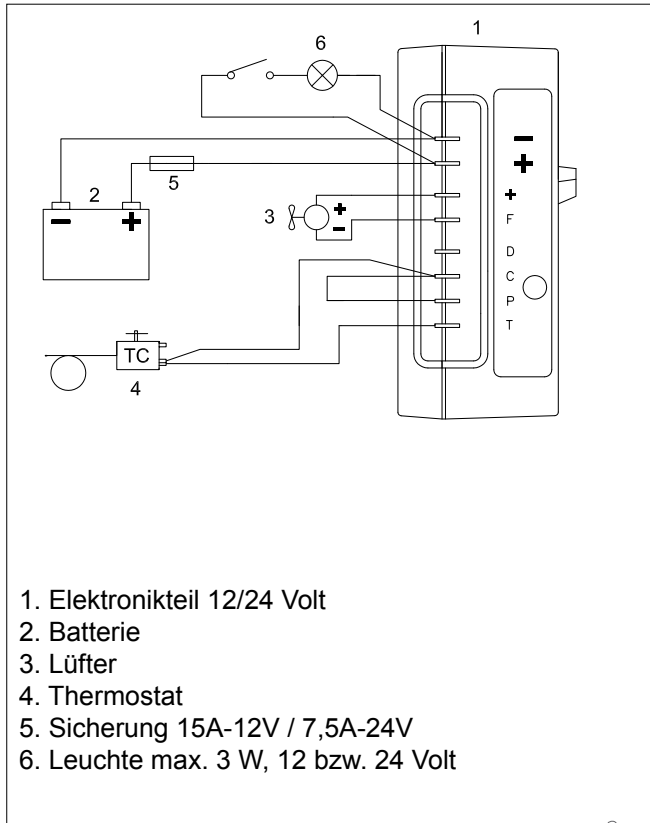
Als Zubehör kann ein Konverter für den Betrieb direkt vom Stromnetz am oder neben dem Kühlschrank montiert werden. Der Konverter bevorzugt den Netzstrom und schaltet automatisch auf Batteriebetrieb um, wenn kein Netzstrom zur Verfügung steht. Der Konverter ist mit einem geerdeten Stecker an das Stromnetz anzuschließen.

Schaltplan

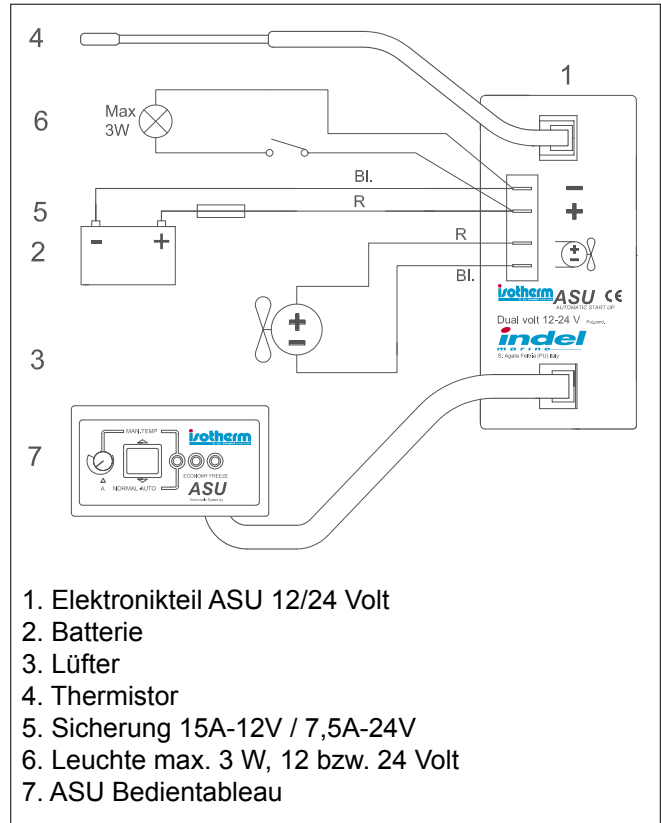


4.8 Schaltplan

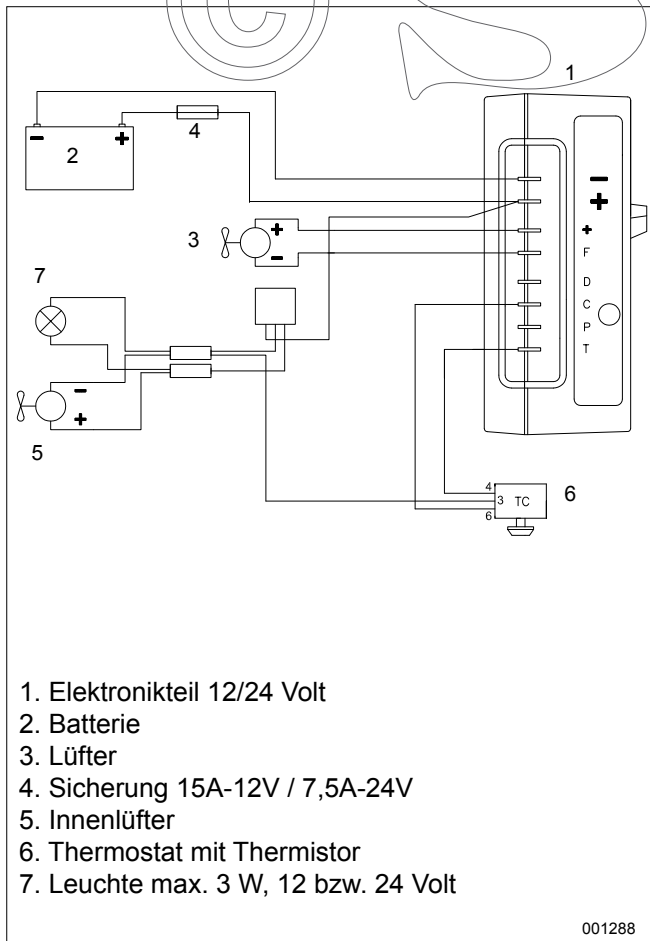
Kühlschrank mit Standardthermostat



Kühlschrank ASU

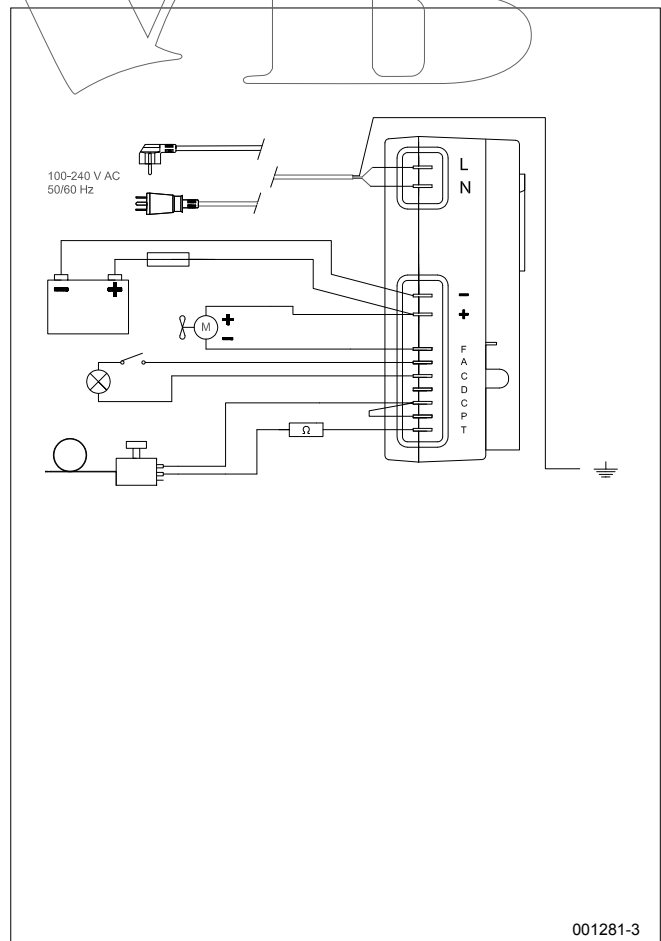


Kühlschrank CR 130 Drink



001288

AC/DC 100-240V / 12-24V



001281-3

5 Technische Daten

Betriebsspannung 12 oder 24 Volt DC
 Stromverbrauch bei laufendem Kompressor: CR 42, 49 & 65: 2,5 - 2,7 A bei 12 V (Hälfte bei 24 V)
 CR 85 & 100: 3,8 - 4 A bei 12 V
 CR 130: 4,7 - 5 A bei 12 V
 CR 130 Drink: 5- 5,3 A bei 12 V

Durchschnittsverbrauch:
 CR 42 & 49: 0,6 A bei 12 V
 CR 65: 0,7 A bei 12 V
 CR 85: 0,8 A bei 12 V
 CR 100: 1,0 A bei 12 V
 CR 130: 1,2 A bei 12 V
 CR 130 Drink: 1,4 A bei 12 V

Durchschnittsverbrauch gemessen bei +6° im Kühlraum und 22°C Umgebungstemperatur.
 Der Durchschnittsverbrauch wird stark dadurch beeinflusst, wie der Kühlschrank genutzt wird und wie die Lüftung ausgeführt ist.

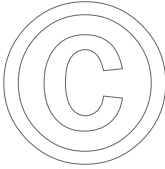
Kompressor: Danfoss BD35F
 Kühlmittel: R134a, die Füllmenge ist auf dem Typenschild des Kühlschranks angegeben.

Sicherung: Abzusichern mit: 15 A -12 Volt bzw. 7,5 A - 24 Volt



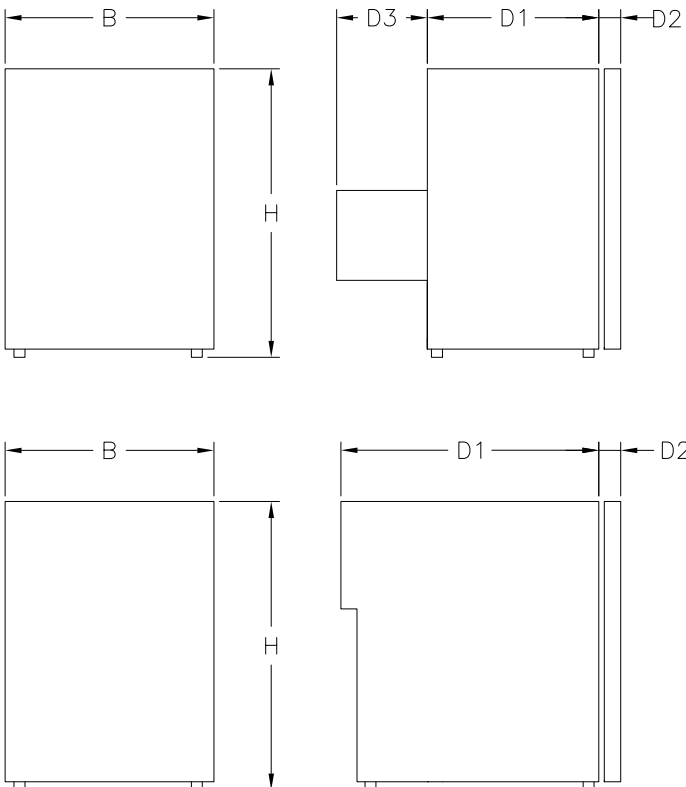
Die Kühlschränke erfüllen die geltenden EMC-Direktiven und tragen die CE-Zulassung.

6 Fehlersuche

Fehler	Mögliche Ursache	Maßnahme
Der Kühlschrank wird nicht kalt. Der Kompressor läuft nicht an. 	Keine Stromversorgung. Batterien in schlechtem Zustand. Falscher Thermostat. Fehler an der Elektronikeinheit.	Überprüfen, ob Strom und ausreichend Spannung bis zur Elektronikeinheit vorliegen, Sicherung kontrollieren. Wenn die Innenbeleuchtung funktioniert, ist Strom bis zum Kompressor vorhanden. Kabel, Kabelschuhe und Anschlussklemmen überprüfen. Überprüfen, ob die Batterieladung funktioniert. Kontrolle Thermostat: T-C mit einem separaten Kabel überbrücken. Wenn der Kompressor nicht anläuft, ist die Elektronikeinheit wahrscheinlich defekt. In diesem Fall austauschen. Wenn der Kompressor mit Überbrückung anläuft, ist der Thermostat defekt. Thermostat austauschen.
Der Kompressor unternimmt nur kurze Startversuche.	Zu schwache Spannung, durch Spannungsabfall beim Startversuch wird der Spannungswächter aktiviert. Die Batterien sind entladen.	Kabel und Anschlüsse überprüfen und von eventuell vorhandenen Oxid- und Korrosionsablagerungen befreien. Batterien laden, Motor laufen lassen oder Batterieladegerät anschließen.
Der Kompressor läuft, erzeugt aber keine Kälte.	Kühlmittelverlust, Undichtigkeit am Verdampfer oder in der Rohrleitung. Rohrleitung verstopft.	Dichtigkeitsprüfung vornehmen und eventuell vorhandene Undichtigkeiten reparieren, mit Vakuum absaugen und die richtige Menge R134a auffüllen. (Eine solche Maßnahme ist von einem Fachmann durchzuführen.)
Der Kompressor läuft lange, erzeugt aber nur wenig Kälte. Schwache Leistung.	Schlechte Belüftung, der Kondensator wird warm. Der Lüfter läuft nicht. Zu viel Frost am Verdampfer. Kühlschranktür schließt nicht richtig, lässt warme feuchte Luft herein. Der Kondensator hat sich mit Staub zugesezt.	Belüftung verbessern. Lüfter austauschen. Entfrostern. Position und Dichtung der Tür überprüfen. Kondensator reinigen.
Sicherung geht kaputt.	Falsche Sicherung. Elektronikeinheit kaputt.	Sicherung überprüfen, 15 A-12 V / 7,5 A-24 V. Elektronikeinheit austauschen.

Bei komplizierteren Fehlern, die einen Spezialisten erfordern, ist Kontakt zu Indel Webasto Marine S.r.l. Italien oder zum örtlichen Isotherm-Händler aufzunehmen.

7 Einbaumaße



CR Külschrank

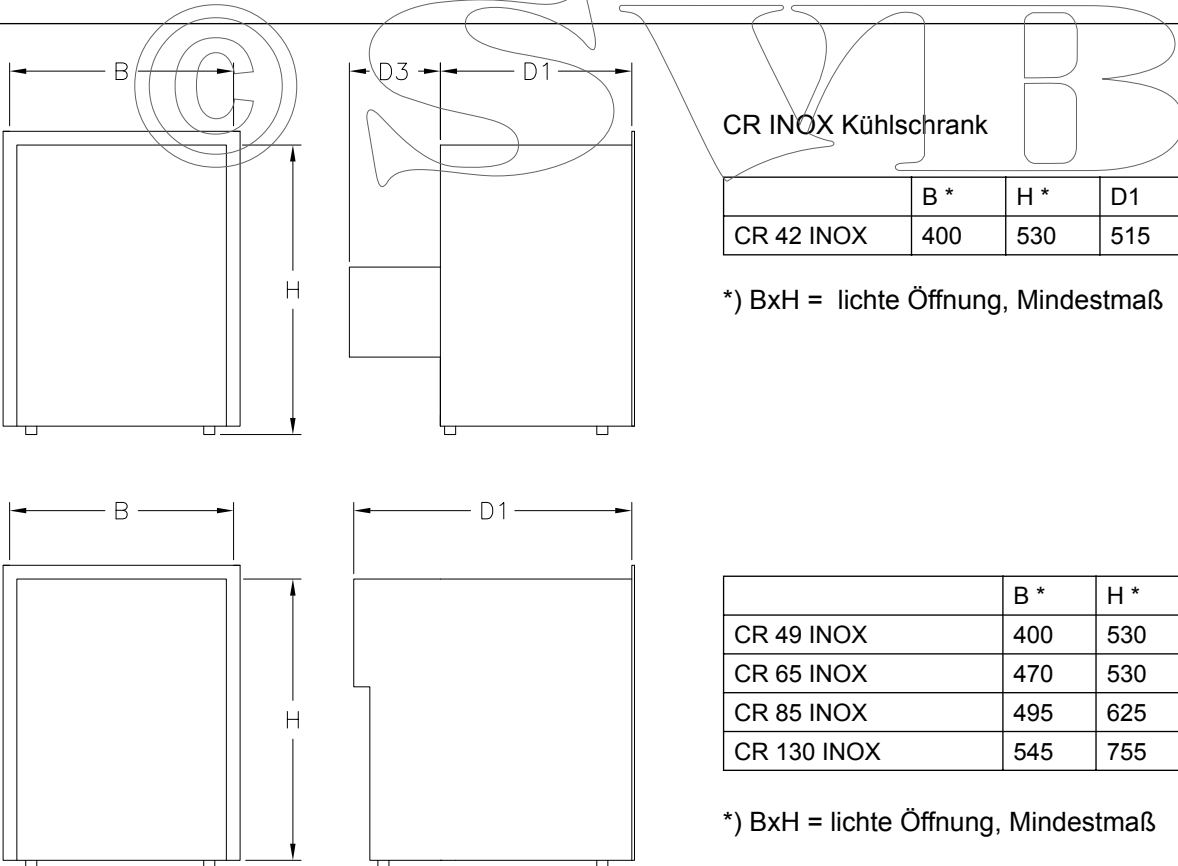
	B *	H *	D1	D2	D3
CR 42	380	525	319	40	165

*) BxH = lichte Öffnung, Mindestmaß

	B *	H *	D1	D2
CR 49	380	525	470	40
CR 65	450	530	500	40
CR 85	475	625	515	40
CR 100	485	745	455	40
CR130	525	745	505	40

*) BxH = lichte Öffnung, Mindestmaß

Detailliertere Zeichnungen unter www.indelwebastomarine.com



CR INOX Külschrank

	B *	H *	D1	D3
CR 42 INOX	400	530	515	165

*) BxH = lichte Öffnung, Mindestmaß

	B *	H *	D1
CR 49 INOX	400	530	510
CR 65 INOX	470	530	540
CR 85 INOX	495	625	555
CR 130 INOX	545	755	545

*) BxH = lichte Öffnung, Mindestmaß

Detailliertere Zeichnungen unter www.indelwebastomarine.com

Sommaire

- 1 Introduction
 - 1.1 Généralités
 - 1.2 Consignes de sécurité
 - 1.3 Environnement

- 2 Mode d'emploi
 - 2.1 Réglage de température par thermostat
 - 2.2 Réglage de température ASU
 - 2.3 Conseils d'utilisation
 - 2.4 Dégivrage

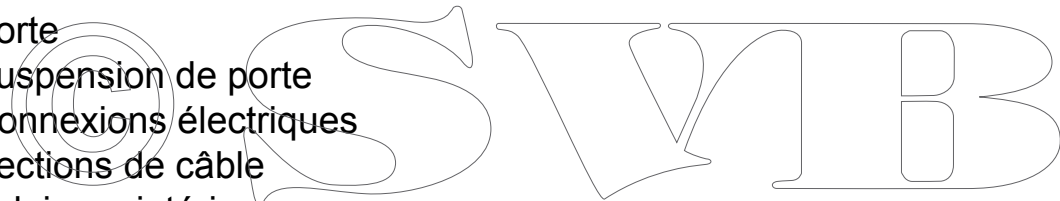
- 3 Entretien
 - 3.1 Contrôle de tension

- 4 Consignes d'installation
 - 4.1 Ventilation
 - 4.2 Porte
 - 4.3 Suspension de porte
 - 4.4 Connexions électriques
 - 4.5 Sections de câble
 - 4.6 Éclairage intérieur
 - 4.7 Exploitation avec convertisseur
 - 4.8 Schéma électrique

- 5 Fiche technique

- 6 Recherche de panne

- 7 Cotes d'installation



1. Introduction

1.1 Généralités

Conçus pour fonctionner dans les conditions propres au milieu marin, les réfrigérateurs Isotherm sont remarquablement efficaces et fiables. Ils sont équipés d'un compresseur totalement hermétique, sans risque de fuites, qui se caractérise par une consommation et un niveau de bruit extrêmement réduits. Ils sont faciles à installer et supportent jusqu'à 30° d'inclinaison, voire davantage pendant une durée limitée.

Pour un fonctionnement optimal, il importe d'observer les points suivants :

- Ne pas ouvrir et fermer l'appareil «à tout instant» car il en résulte une augmentation de la consommation électrique.
- Une bonne ventilation du compresseur et du condenseur contribue à diminuer la consommation électrique.
- Un système d'alimentation électrique en bon état est une condition nécessaire. Inspecter régulièrement les batteries et le niveau de charge. Il doit y avoir une batterie de démarrage distincte pour le moteur. Suivre scrupuleusement les indications en ce qui concerne les câbles et les fusibles.
- Garder l'intérieur du réfrigérateur propre et sec. Vider l'eau recueillie dans le bac situé en dessous du compartiment de congélation.
- Toujours laisser la porte en position entrouverte pour aérer l'appareil lorsqu'il n'est pas en service, même si c'est seulement pour un bref laps de temps (voir figures 1 et 2).
- Nettoyer l'intérieur du réfrigérateur avec de l'eau tiède additionnée d'une solution savonneuse douce avant de s'en servir à nouveau.

Les réfrigérateurs sont munis d'un compartiment de congélation avec un couvercle situé en haut du réfrigérateur. Celui-ci permet de conserver les denrées surgelées pendant une durée limitée, de 4 à 5 jours au maximum, mais n'est pas assez froid pour permettre la congélation. La glacière permet de produire de la glace dans le compartiment de congélation.

CR 130 Drink n'est pas muni d'un compartiment de congélation.

CR 49, 65, 85 et 130 existent aussi en version INOX. Ils possèdent un revêtement intérieur de porte plus sophistiqué en tôle inoxydable, un châssis de montage à trois faces pour montage encastré permettant d'obtenir un devant entièrement lisse et un autre modèle de verrouillage de porte plus puissant.

L'intérieur comporte aussi certaines pièces en inox.

1.2 Consignes de sécurité



• Lors du branchement sur la prise de courant à quai, l'alimentation électrique doit être protégée par un disjoncteur différentiel, sinon il y aurait risque de danger personnel. Ne pas toucher des câbles endommagés ou non isolés reliés au réseau électrique à quai.

Danger de mort !




- Les interventions dans le circuit du fluide frigorigène sont proscrites.
- Ne pas rejeter du fluide frigorigène dans l'atmosphère.
- S'assurer que l'air circule librement à travers le système de ventilation de l'appareil.
- Ne pas monter le réfrigérateur à proximité d'une source de chaleur, telle que cuisinière à gaz, chaudière, radiateur, etc.
- Monter le réfrigérateur à sec, à l'abri de toute éclaboussure d'eau.
- Ne pas brancher le chargeur de batterie directement sur l'appareil. Le chargeur de batterie doit être branché directement sur la batterie.
- En plus de l'acide, une batterie qui vient d'être rechargée peut contenir du gaz détonnant, **Danger !**
- Ne pas conserver dans le réfrigérateur des vaporisateurs contenant des gaz actifs inflammables.
- Ne confier qu'à des spécialistes la réparation du système de fluide frigorigène du réfrigérateur.

1.3 Environnement

Ce produit est conforme à la directive EG 2002/96/EEC concernant les déchets électriques et électroniques (WEEE).

En disposant de ce produit d'une manière sûre, vous contribuez à prévenir l'impact négatif sur l'environnement et sur la santé collective qui résulterait d'une négligence dans le traitement dudit produit.



Le symbole  qui figure sur le produit, l'emballage ou la documentation ci-jointe, indique que ce produit ne doit pas être traité comme une ordure ménagère ordinaire. Il convient de le déposer dans un centre de récupération des appareils électriques et électroniques. Le produit doit être déposé conformément aux prescriptions environnementales locales sur la mise en décharge de ces produits. Pour en savoir plus sur le traitement, la récupération et le recyclage de ce produit, veuillez consulter les autorités locales, les services locaux de ramassage des déchets, ou bien le magasin/l'entreprise qui vous ont vendu ce produit.

L'emballage est conçu de manière à protéger le réfrigérateur et ses composants pendant le transport, et fait d'un matériau récupérable. Il porte les symboles de récupération et le matériau d'emballage doit être remis à un centre de récupération.



2. Mode d'emploi

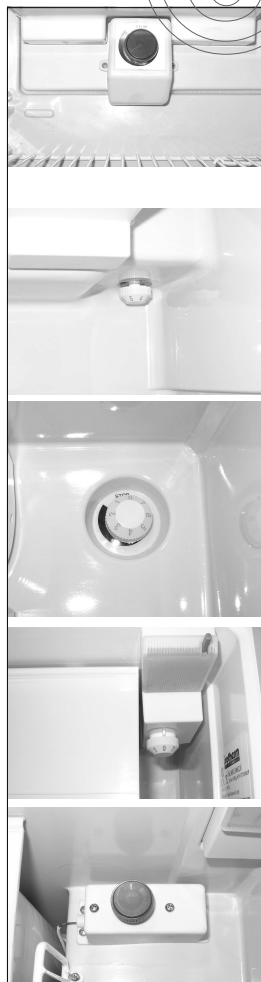
Les réfrigérateurs existent en deux versions, standard avec thermostat mécanique, ou en option avec ASU. CR 42 et CR INOX n'existent pas avec l'option ASU. Ces modèles sont traités séparément dans le descriptif ci-dessous du réglage de température. Les réfrigérateurs sont faits pour être utilisés dans des températures ambiantes de 0°C à +45°C.

2.1 Réglage de température au thermostat

La poignée du thermostat permet de régler progressivement la température. Si on la tourne à fond dans le sens inverse des aiguilles d'une montre, après avoir franchi distinctement un point de résistance élastique, on met l'appareil hors tension. La poignée est située à l'intérieur du réfrigérateur en fonction du modèle (voir figure ci-dessous).

Pour régler la température, procéder comme suit : Tourner la poignée dans le sens des aiguilles d'une montre pour baisser la température et dans le sens contraire pour l'augmenter.

Il est recommandé de maintenir la température à l'intérieur de l'appareil à 5-6°C. La température ambiante influe sur la température à l'intérieur de l'appareil, c'est pourquoi il peut être difficile de maintenir une bonne température à l'intérieur de l'appareil si celui-ci est exposé directement à une source de chaleur ou aux rayons du soleil.



Sur le CR 42, le thermostat est placé sur la paroi arrière, sous le compartiment de congélation.

Sur le CR 49, le thermostat est placé sur la paroi arrière horizontale, à droite du compartiment de congélation.

Sur le CR 65, le thermostat est placé sur la paroi arrière, à droite du compartiment de congélation.

Sur les CR 49 et 65, le thermostat peut aussi être placé sur le dispositif d'éclairage.

Sur les CR 85 et CR130, le thermostat est placé à droite du compartiment de congélation, derrière le dispositif d'éclairage.



Sur les CR 100, le thermostat est placé à droite de la grille d'aération, au-dessus de la porte.

Sur les CR 130 Drink, le thermostat est placé sur le dispositif d'éclairage.

2.2 Réglage de la température ASU

Les réfrigérateurs Isotherm avec ASU ont deux types de commande. En position «NORMAL.AUTO» on obtient automatiquement une température optimale dans le réfrigérateur avec charge minimale sur les batteries. En position «MAN.TEMP» la commande automatique est en partie déconnectée et l'on peut alors régler individuellement la température selon les besoins. En position médiane, le réfrigérateur est hors fonction.

Le panneau de commande se place de manière à être bien visible et aisément accessible. Le câble du panneau de commande a 4 mètres de long et derrière le panneau un trou de 12 mm doit être percé pour le passage du câble et du contacteur.



Position NORMAL.AUTO

La lampe verte s'allume immédiatement, indiquant que l'appareil est sous tension et que le programme de réfrigération est branché :

Lorsque le moteur est en marche et que la tension du système électrique mesurée dans l'unité électronique dépasse 13,2 (26,4) V, le compresseur entre en action pour congeler et «charger» le magasin de réfrigération. Le compresseur démarre dans les 30 secondes et fonctionne d'abord à bas régime, la lampe jaune «Economy» étant alors allumée. Après un délai d'environ 30 secondes, le compresseur et le ventilateur de réfrigération accélèrent de 75% jusqu'au régime maximal, la lampe rouge «Freeze» étant alors allumée, tandis que la lampe jaune est éteinte. Le compresseur reste actif jusqu'à ce que le magasin de réfrigération soit complètement chargé à une température d'environ -14°C mesurée dans le magasin. Cette procédure prend de 35 à 50 min suivant la température ambiante, la température dans le réfrigérateur au démarrage, et la dimension du réfrigérateur. Ensuite le compresseur s'arrête, la lampe rouge s'éteint, et il ne se remet en marche que lorsque la température du magasin de réfrigération a atteint environ -10°C.

Si le moteur s'arrête, le compresseur s'arrête aussi peu après, lorsque la tension est tombée en dessous de 12,7 (25,4) V. Quand le moteur est arrêté et que la tension est inférieure à 12,7 (25,4) V, c'est toujours le froid accumulé dans le magasin de congélation qui est utilisé d'abord. Une fois ce froid consommé, le compresseur est réactivé, fonctionne d'abord à bas régime, la lampe jaune «Economy» étant allumée, pour assurer la maintenance du froid. Il démarre à -1°C et s'arrête à -6°C dans le magasin de congélation dans cette position.

Position MAN.TEMP

On peut utiliser cette position si l'on n'a pas besoin de minimiser la consommation de courant, si l'on est relié au réseau électrique à quai, si l'on dispose de cellules solaires, ou si pour toute autre raison on veut avoir une température pour basse ou plus élevée dans le réfrigérateur. La commande automatique est en partie déconnectée et l'on peut alors régler manuellement la température avec la manette du panneau de commande. Au repère A, la température du magasin de réfrigération est dépassée pour «Accumulation». Étant donné que dans cette position le compresseur entre en activité pour maintenir la température présélectionnée, il fonctionne d'abord sur le régime le plus faible, un faible niveau sonore étant préférable quand le moteur est en marche. Si toutefois la différence entre la température choisie et la température réelle est supérieure à 6°, le compresseur augmentera automatiquement de régime pour ramener plus rapidement la température au niveau choisi. Dès que cette capacité supplémentaire a cessé d'être nécessaire, le régime est à nouveau modifié en vue de minimiser la consommation de courant. Cette capacité supplémentaire automatique est précieuse notamment quand on introduit dans le réfrigérateur de nouvelles denrées chaudes.

Signaux sur le panneau

Vert fixe :

Réfrigérateur activé, sous tension, compresseur inactivé.

Vert fixe + jaune :

Compresseur activé dans les températures élevées. Faible tension.

Vert fixe + rouge :

Compresseur activé dans les températures basses. Forte tension.

Vert fixe + jaune + rouge :

Compresseur fonctionne au régime minimal pour atteindre la température choisie en position MAN.TEMP.

Jaune clignotant + rouge :

Signal défectueux en provenance de l'électronique ASU. Répète la mise en marche après 1 minute. L'électronique ASU ne reçoit pas de réponse de l'unité électronique noire dans l'essai de mise en marche.

Jaune clignotant :

Le contrôle de batterie déclenché à 10,0/20,0 V a arrêté le compresseur. Pour recharger les batteries, mettre le moteur en marche ou brancher le chargeur de batterie. Le compresseur redémarre automatiquement à 12,0/24,0 V.

2.3 Conseils d'utilisation

- Le congélateur permet de conserver les surgelés pendant une brève période et ne permet pas de congeler les aliments.
- Mettre si possible le réfrigérateur en marche 6 heures environ avant d'y mettre des surgelés.
- Pour obtenir de la glace dans le bac à glace, le mettre directement en contact avec l'évaporateur et ne rien poser dessus. Pour obtenir plus rapidement de la glace, régler le thermostat sur le froid maximum.
- Ranger les denrées dans le compartiment de telle sorte que l'air puisse y circuler librement.
- Ne pas revêtir les étagères de plastique ou de papier, etc.
- Pour limiter la formation de givre dans le compartiment, ne pas y déposer de liquides non bouchés.
- Laisser refroidir les aliments chauds avant de les ranger dans le réfrigérateur.

2.4 Dégivrage

Étant donné que l'évaporateur fonctionne à des températures inférieures au point de congélation, du givre et de la glace se forment dans l'évaporateur. L'humidité de l'air, la température ambiante et la fréquence avec laquelle on ouvre la porte influent directement sur la formation de givre. Il convient de dégivrer l'appareil à intervalles réguliers, ou lorsque la couche de givre sur l'évaporateur atteint ou dépasse 3 à 4 mm d'épaisseur.

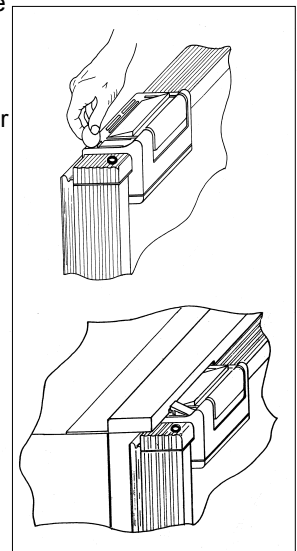
Mettre l'appareil hors tension en mettant la poignée du thermostat sur 0 ou bien mettre l'interrupteur marche-arrêt sur le panneau de commande ASU en position médiane. Conserver les aliments et les boissons dans un endroit aussi frais que possible pendant la durée du dégivrage. **Ne pas utiliser d'objets tranchants pour détacher de l'évaporateur le givre ou la glace, ce qui risquerait de l'abîmer et de provoquer des fuites de fluide frigorigène.** Ne pas redémarrer l'appareil avant qu'il soit complètement dégivré, nettoyé et sec. Vider le bac de condensation situé sous l'évaporateur. Poser au besoin des serviettes en dessous du réfrigérateur pendant le dégivrage pour recueillir l'eau d'écoulement.

3. Entretien

Les réfrigérateurs Isotherm Cruise ont un système de refroidissement complètement hermétique qui dispense pratiquement d'entretenir ou de faire l'appoint de fluide frigorigène.

Le compresseur, de type spécialement destiné aux applications mobiles, se caractérise non seulement par un haut rendement mais encore par une durée de vie exceptionnellement longue. On laissera le réfrigérateur dans le bateau pendant l'hiver, mais s'il fait autour de 0°C ou moins, il est probable que l'appareil ne démarrera pas. L'entretien saisonnier se limite à nettoyer la grille de condensation derrière le réfrigérateur.

L'action du ventilateur génère une accumulation de poussière qu'il convient d'éliminer à l'aide d'une brosse douce ou d'un aspirateur. Pour le nettoyage intérieur, utiliser de l'eau additionnée d'une solution savonneuse douce. Garder l'appareil propre et sec à l'intérieur et toujours laisser la porte entrouverte pour aérer l'appareil lorsqu'il n'est pas en service et pendant l'hiver. À l'aide d'un couteau ou d'une pièce de monnaie, libérer le loquet de la porte qui coïncide avec le bord supérieur du châssis et permet de maintenir la porte en position entrouverte. Retirer l'ampoule ou couper le courant d'alimentation du réfrigérateur pour ne pas décharger inutilement les batteries.



3.1 Moniteur de batterie

Pour éviter que les batteries ne soient complètement déchargées, un dispositif coupe l'alimentation du compresseur lorsque la tension tombe en dessous d'un certain seuil et rétablit le courant lorsque la tension dépasse un certain niveau par suite de la recharge des batteries.

Tension V	Coupure V	Rétablissement V
12	9,6 (10,4)	10,9 (11,7)
24	21,3 (22,8)	22,7 (24,2)

Si l'étrier entre C et P sur l'unité électronique est enlevé, on aura les valeurs indiquées entre parenthèses.

Pour les réfrigérateurs ASU on aura les valeurs suivantes :

Tension V	Coupure V	Rétablissement V
12	10,0	12,0
24	22,0	23,5

4 Consignes d'installation

De nombreux bateaux ont un emplacement prévu pour un réfrigérateur. Les réfrigérateurs Isotherm Cruise sont conformes aux dimensions dites standard.

Le compresseur doit toujours être en position horizontale et posé sur ses pieds en caoutchouc. Le compresseur supporte jusqu'à 30° d'inclinaison, voire davantage pendant de courtes durées. Si l'inclinaison est plus prononcée, le compresseur cesse de fonctionner et redémarre dès que l'angle d'inclinaison diminue.

Le compresseur des modèles CR 42 est fixé sur une console amovible en U. Un tuyau flexible permet d'éloigner le compresseur jusqu'à env. 1,5 m de l'appareil. Le tuyau doit être manipulé avec soin pour ne pas l'endommager ou l'aplatir en le pliant. Éviter de monter le réfrigérateur à proximité d'une source de chaleur, et toujours s'assurer qu'il est à l'abri des rayons du soleil.

L'installation du réfrigérateur peut être facilitée grâce à l'utilisation de rails de montage (accessoires) avec les modèles qui ne sont pas livrés en standard avec châssis. Le réfrigérateur doit toujours reposer sur ses pieds et être immobilisé à l'aide du châssis, ou bien des rails de montage. Les modèles CR 49 et CR 65 ont en standard un châssis à trois faces qui simplifie l'installation. Les autres modèles ont des rails de montage en accessoires, vissés en place de chaque côté du réfrigérateur. S'il n'est pas possible d'utiliser les rails de montage, le réfrigérateur doit être fixé en place pour éviter qu'il ne glisse ou bascule en avant quand la porte est ouverte ou si la mer est agitée.

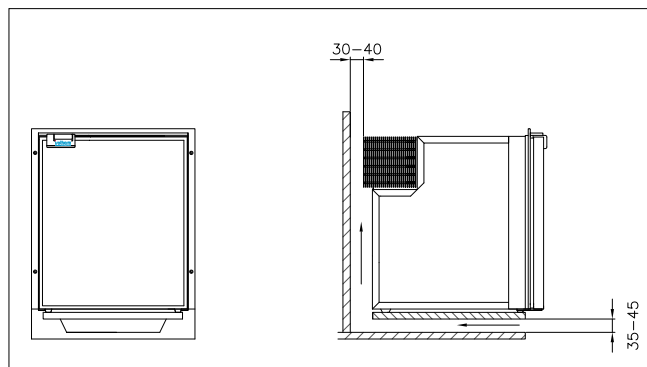
Le montage des réfrigérateurs CR INOX s'effectue de la même façon et tous sont munis d'un châssis pour l'encastrement.

4.1 Ventilation

Il est très important que le compresseur et le condenseur placés derrière le réfrigérateur soient bien ventilés pour que l'air frais puisse pénétrer par en dessous et remonter derrière le réfrigérateur, et que l'air réchauffé puisse s'échapper par le haut.

Le flux naturel de bas en haut peut être amélioré en ménageant des ouvertures de ventilation aux endroits appropriés. Les orifices doivent avoir une ouverture de 100-150 cm².

Voir la figure ci-dessous le principe d'une bonne ventilation.



4.2 Panneau de porte

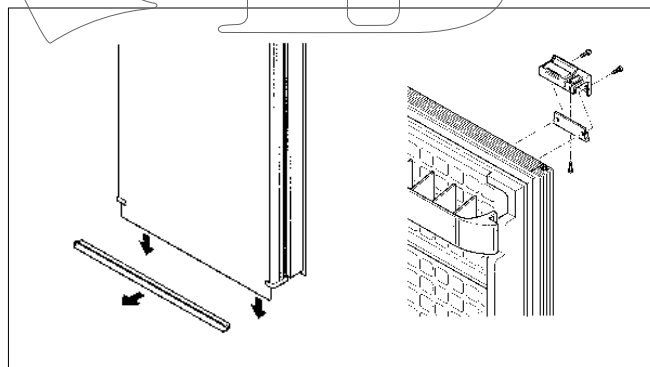
Le réfrigérateur CR est doté en standard d'un panneau de porte grise. Des panneaux de portes en teak, acajou, cerisier ou blanc existent en option.

CR 42, 49 et 65 existent aussi en version avec porte entièrement blanche et châssis en inox.

Les modèles INOX ont une porte entièrement en inox et n'ont pas de panneau de porte amovible.

Monter d'abord le panneau de porte supplémentaire à l'extérieur de la porte grise existante, détacher la bordure inférieure de porte en plastique, la tirer vers le haut, et détacher le loquet de porte, lequel est maintenu par trois vis, voir fig.

Glisser le nouveau panneau frontal par dessus le panneau gris et bien l'insérer sous la bordure supérieure, remettre en place la bordure inférieure par pression de la main. Puis remonter le loquet.



4.3 Suspension de porte

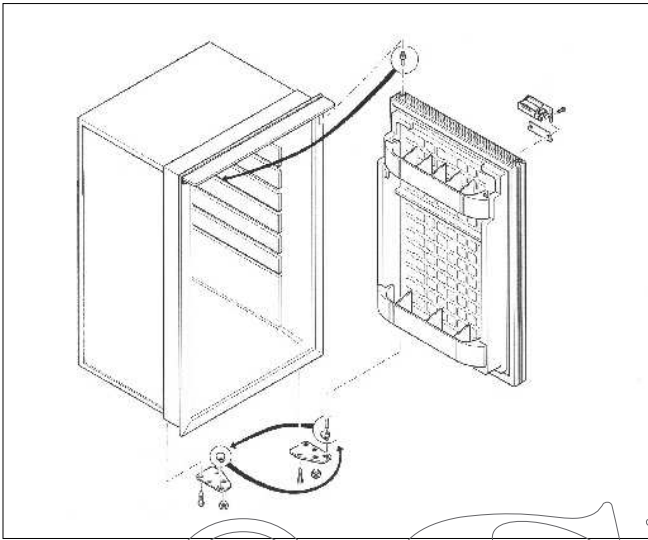
Les réfrigérateurs sont livrés par défaut avec charnière à droite. Les charnières sont transférables au côté gauche en transférant au côté opposé les charnières du haut et du bas. La poignée de la porte est également transférable, voir figure ci-dessus.

Le modèle CR 42 possède une ferrure de charnière telle qu'il suffit de transférer au côté opposé la pièce en plastique et le tenon de charnière. En haut, on transfère au côté opposé le tenon vissé à la bordure supérieure.

Sur les modèles CR 49, 65, 85 et 130 on transfère au côté opposé les ferrures de charnière supérieure et inférieure, en bas on les intervertit avec le support de porte.

Sur le modèle CR 100 on transfère au côté opposé le tenon de charnière dans la grille d'aération, et l'on intervertit la position des deux ferrures inférieures.

On peut aussi intervertir les portes des modèles CR INOX jusqu'à la taille CR 85 INOX, les portes étant identiques à droite et à gauche. On transfère au côté opposé les charnières du haut et du bas. Sur le modèle CR 130 INOX on ne peut remplacer la porte existante, celle-ci comporte en effet un verrou latéral et existe par conséquent en version gauche ou droite.
Voir fig.



4.4 Connexions électriques

En branchant l'appareil sur le réseau électrique du bateau, il importe d'observer les points suivants :

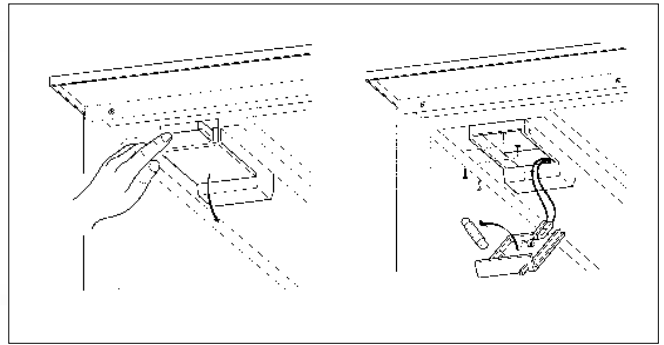
- Veiller à choisir des sections de câble suffisamment grandes. Voir le tableau pour les dimensions minimales.
- Toujours utiliser des câbles multiples en cuivre ou étamés destinés au milieu marin.
- Brancher l'appareil directement sur la batterie de consommation ou sur son interrupteur principal. Ne pas brancher sur le pupitre du bateau en raison du risque de chute de tension.
- Protéger l'appareil par le fusible fourni : 15A (pour 12 V) ou 7,5A (pour 24 V).
- Relier le câble rouge au « + » du système électrique et le noir au « - ». Utiliser les contacts adaptés à la dimension du câble choisi.
- Si le réseau électrique a un interrupteur spécifique pour l'appareil, celui-ci doit supporter une intensité de 15A.
- L'appareil ne doit pas être branché directement sur le chargeur de batterie ; il doit toujours y avoir une batterie couplée en parallèle.

4.5 Dimensions du câblage électrique

Section de câble mm ²	Longueur de câble maximale en m. 12 V	Longueur de câble maximale en m. 24 V
2,5	2,5	5
4	4	8
6	6	12

4.6 Éclairage intérieur

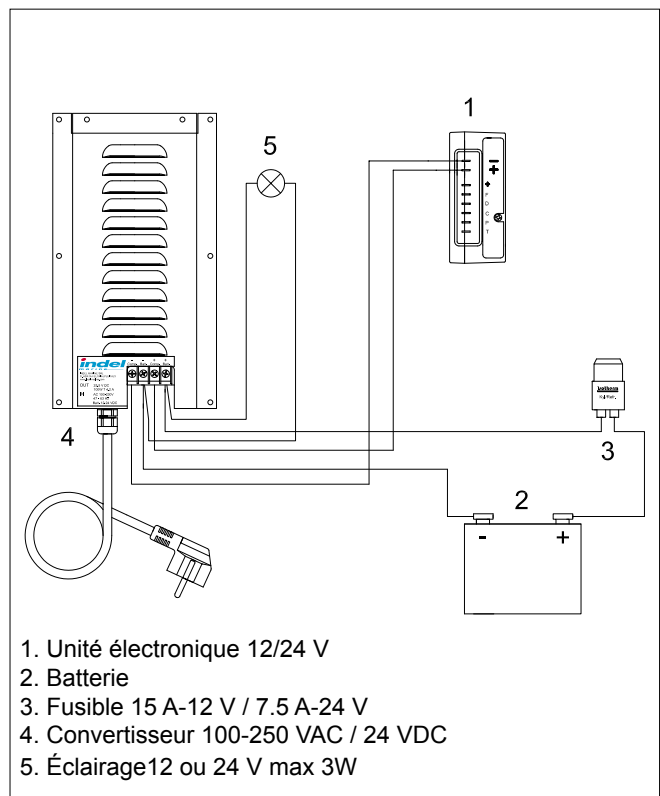
Tous les réfrigérateurs sauf CR 42, CR 42 INOX et CR 100 ont un éclairage intérieur monté à l'intérieur de l'appareil. S'assurer que les ampoules utilisées conviennent, 12 ou 24 V suivant la tension à laquelle le réfrigérateur est branché. Des lampes de 12 et 24 V sont fournies à la livraison. N'utiliser que 3 W au maximum.
Pour remplacer une lampe, enfoncer vers le bas le verre du dispositif d'éclairage avec l'outil de poussée, remplacer la lampe et remettre en place le dispositif d'éclairage. Voir fig.



4.7 Exploitation avec convertisseur

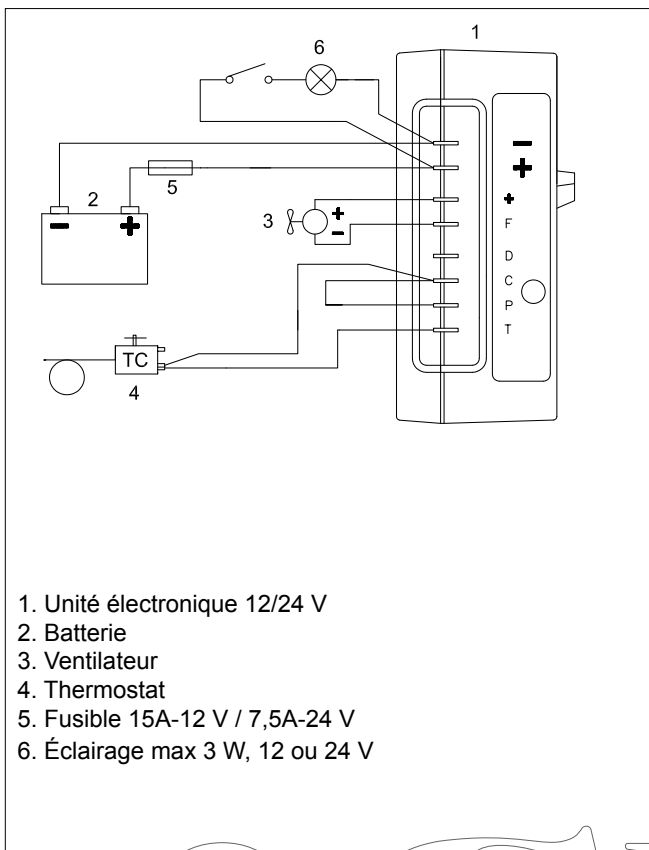
Il existe en option un convertisseur susceptible d'être monté sur, ou à côté du réfrigérateur, pour exploitation directement à partir du réseau électrique. Celui-ci privilégie le réseau électrique et passe automatiquement à l'alimentation par batterie quand le réseau électrique est indisponible. Le convertisseur doit être relié au réseau à l'aide d'une prise de contact mise à la terre.

Schéma de câblage

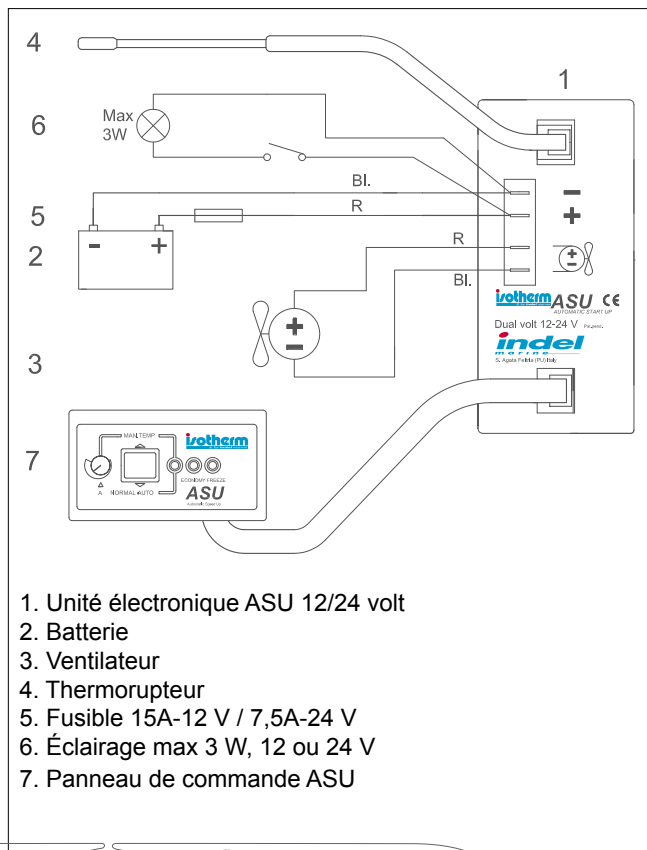


4.8 Schéma électrique

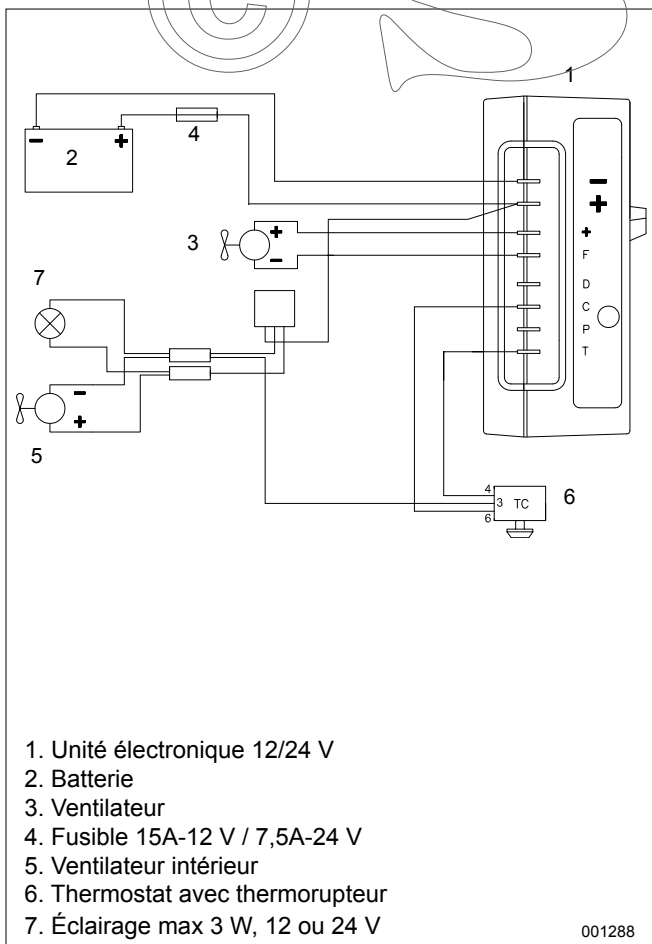
Réfrigérateur avec thermostat standard



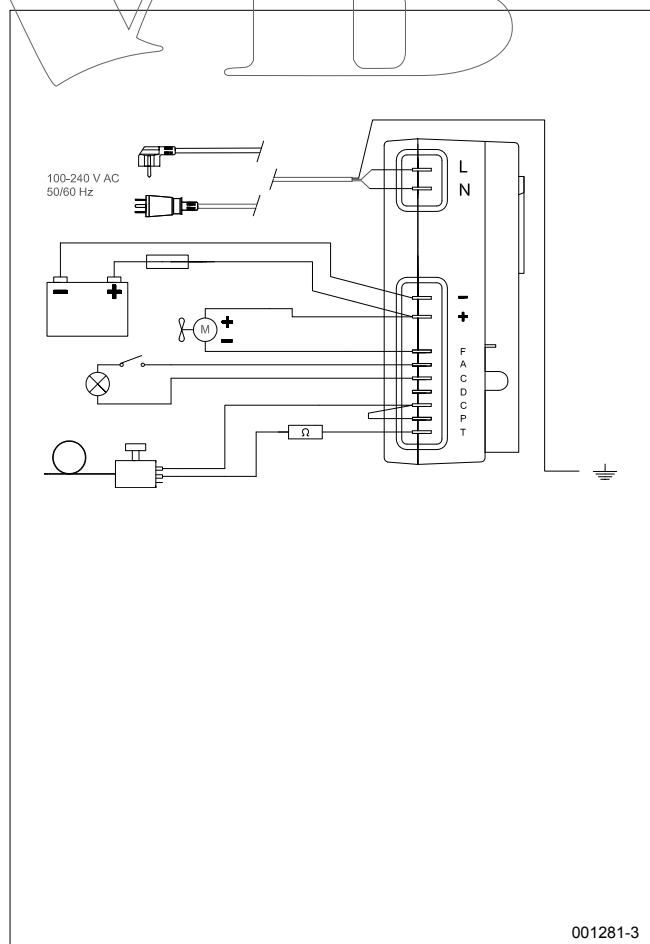
Réfrigérateur ASU



Réfrigérateur CR 130 Drink



AC/DC 100-240V / 12-24V



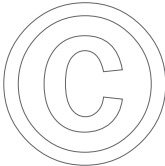
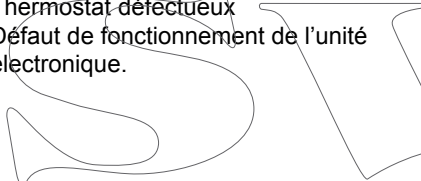
5 Fiche technique

Tension d'alimentation	12 ou 24 V c.c.
Consommation de courant, compresseur activé :	CR 42, 49 & 65: 2,5 - 2,7 A à 12 V (moitié de 24 V) CR 85 & 100: 3,8 - 4 A à 12 V CR 130: 4,7 - 5 A à 12 V CR 130 Drink: 5- 5,3 A à 12 V
Consommation moyenne :	CR 42 & 49: 0,6 A à 12 V CR 65: 0,7 A à 12 V CR 85: 0,8 A à 12 V CR 100: 1,0 A à 12 V CR 130: 1,2 A à 12 V CR 130 Drink: 1,4 A à 12 V
Consommation moyenne mesurée à +6° dans le compartiment de réfrigération avec température ambiante de 22°C. La consommation moyenne dépend beaucoup de la fréquence d'utilisation de réfrigérateur et de l'efficacité de la ventilation.	
Compresseur :	Danfoss BD35F
Fluide frigorigène :	R134a, la quantité à remplir est indiquée sur la plaque signalétique du réfrigérateur.
Fusible :	Coupage à : 15 A -12 V ou 7,5 A - 24 V

Les réfrigérateurs sont conformes à la directive EMC et portent la marque CE.



6 Recherche de panne

Symptôme	Cause possible	Mesure corrective
L'appareil ne produit pas de froid. Le compresseur ne démarre pas. 	Absence d'alimentation électrique. Batterie(s) en mauvais état Thermostat défectueux Défaut de fonctionnement de l'unité électronique. 	Vérifier que le courant électrique arrive jusqu'à l'unité électrique, contrôler le fusible. L'éclairage intérieur fonctionne-t-il ? Du courant arrive-t-il au compresseur ? Contrôler les câbles, les sabots de câble et les réglettes. Contrôler le chargement des batteries. Contrôler le thermostat : relier T à C avec un cordon séparé ; si le compresseur ne démarre pas, c'est sans doute que l'unité électronique est en panne, auquel cas il faut la remplacer. Si le compresseur démarre avec l'étrier, le thermostat est en panne. Remplacer le thermostat.
Le compresseur s'arrête peu de temps après le démarrage.	Mauvaise alimentation électrique, chute de tension à la mise en marche qui fait réagir le moniteur de tension. Batterie(s) à plat.	Inspecter les câbles et les connexions : le cas échéant, enlever les dépôts résultant de l'oxydation et de la corrosion. Recharger les batteries en faisant tourner le moteur ou brancher un chargeur de batterie.
Le compresseur tourne mais ne produit pas de froid.	Perte de fluide frigorigène, fuite(s) dans la tuyauterie ou l'évaporateur. Tuyauterie obturée.	Tester la présence de fuites et réparer si nécessaire, rétablir le vide et réintroduire la quantité prescrite de fluide frigorigène R134a. (Confier cette opération à un professionnel.)
Le compresseur tourne longtemps mais produit peu de froid, la puissance est faible.	Ventilation insuffisante, le condenseur devient trop chaud. Le ventilateur ne tourne pas. Trop de givre sur l'évaporateur. La porte du réfrigérateur ferme mal et laisse entrer de l'air humide et chaud. Le condenseur est obturé par de la poussière.	Améliorer la ventilation du compresseur. Remplacer le ventilateur. Dégivrer. Vérifier la fermeture et l'étanchéité de la porte. Nettoyer le condenseur.
Le fusible se déclenche.	Mauvais fusible. Unité électronique défectueuse.	Vérifier le fusible, 15 A-12 V / 7,5 A-24 V Remplacer l'unité électronique.

En cas d'avarie plus grave nécessitant l'intervention d'un spécialiste, veuillez contacter Indel Webasto Marine S.r.l. Italien ou bien votre concessionnaire local Isotherm.

7 Cotes d'installation

Réfrigérateur CR

	B *	H *	D1	D2	D3
CR 42	380	525	319	40	165

*) BxH = ouverture journalière, cote mini

	B *	H *	D1	D2
CR 49	380	525	470	40
CR 65	450	530	500	40
CR 85	475	625	515	40
CR 100	485	745	455	40
CR130	525	745	505	40

*) BxH = ouverture journalière, cote mini

Des plans plus détaillés sont accessibles sur www.indelwebastomarine.com

Réfrigérateur CR INOX

	B *	H *	D1	D3
CR 42 INOX	400	530	515	165

*) BxH = ouverture journalière, cote mini

	B *	H *	D1
CR 49 INOX	400	530	510
CR 65 INOX	470	530	540
CR 85 INOX	495	625	555
CR 130 INOX	545	755	545

*) BxH = ouverture journalière, cote mini

Des plans plus détaillés sont accessibles sur www.indelwebastomarine.com

Innehåll

- 1 Introduktion
 - 1.1 Allmänt
 - 1.2 Säkerhetsanvisningar
 - 1.3 Miljö

- 2 Bruksanvisning
 - 2.1 Temperaturreglering termostat
 - 2.2 Temperaturreglering ASU
 - 2.3 Användningstips
 - 2.4 Avfrostning

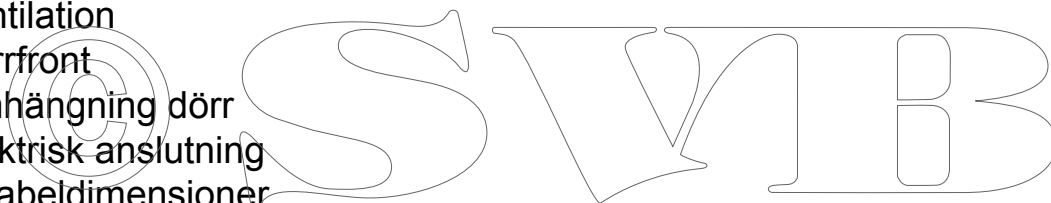
- 3 Underhåll
 - 3.1 Spänningsvakt

- 4 Installationsanvisning
 - 4.1 Ventilation
 - 4.2 Dörrfront
 - 4.3 Omhängning dörr
 - 4.4 Elektrisk anslutning
 - 4.5 Elkabeldimensioner
 - 4.6 Innerbelysning
 - 4.7 Drift med konverter
 - 4.8 Elschema

- 5 Tekniska data

- 6 Felsökning

- 7 Installationsmått



1. Introduktion

1.1 Allmänt

Isotherm båt kylskåp är konstruerade för de höga krav som ställs i marin miljö, både vad gäller prestanda och utförande. De är utrustade med en modern helt läckagefri hermetisk kompressor som ger såväl lägsta möjliga strömförbrukning som extremt låg ljudnivå. Kylskåpen är enkla att installera. De tål en lutning på upp till 30°, tillfälligt mer.

För bästa funktion är det viktigt att följande punkter beaktas:

- Onödigt "spring" i kylan. Det höjer strömförbrukningen.
- God ventilation av kompressor och kondensor har också stor inverkan på strömförbrukningen.
- Ett väl fungerande elsystem är en förutsättning. Se över batterier och laddning regelbundet. Motorn ska alltid ha eget separat startbatteri.
- Följ anvisningarna noggrant vad gäller kabeldimensioner och säkring.
- Håll rent och torrt i kylan. Töm ut kondensvatten som samlas i dropphyllan under frysacket i kylskåpen.
- Ställ alltid upp dörren för vädning då kylan inte är i drift under längre och kortare perioder. (Se fig. 1 och 2).
- Gör rent inne i skåpet med ett mildt tvättmedel och ljummet vatten innan det tas i bruk.

Kylskåpen är försedda med ett frysack med lucka som sitter högst upp i skåpet. Det är avsett för att förvara frusna varor under kort tid, max 4-5 dagar och blir inte så kallt som krävs för infrysning. Med hjälp av islådan kan is göras i frysacket.

CR 130 Drink är inte utrustat med frysack.

CR 49, 65, 85 & 130 finns också i en INOX version. De har en exklusivare dörryttersida i rostfri plåt, rostfri tresidig monteringsram för flushmontering för att få en helt slät framsida och en annan typ av rostfritt kraftigt dörrlås.

Interiören har också vissa detaljer i rostfritt.

1.2 Säkerhetsföreskrifter



- Vid anslutning till landström måste strömförsörjningen vara skyddsjordad och ansluten över en jordfelsbrytare, annars föreligger stor risk för personskada. Vidrör inte några skadade eller oisolerade kablar anslutna till landströmsnätet.
- Livsfara!**




- Ingrepp i köldmediekretsen får absolut inte göras.
- Köldmedium får inte släppas ut i luften.
- Se till att kylvätskans ventilationssystem inte blockeras.
- Montera inte kylskåpet intill en värmekälla, som gasspis, värmare, värmeelement etc.
- Montera kylskåpet torrt skyddat från vatten stänk.
- Anslut inte batteriladdare direkt till kylvätskans krets. Batteriladdare måste kopplas till batteri.
- Utöver batterisyra kan ett nyladdat batteri även innehålla explosiv knallgas. **Fara!**
- Lagra inte sprayburksförpackningar i kylskåpet som innehåller brandfarlig drivgas.
- Reparation av kylskåpets köldmediesystem får endast utföras av behörig personal.

1.3 Miljö

Denna produkt är märkt enligt EG-direktiv 2002/96/EEC beträffande elektriskt och elektroniskt avfall (WEEE).

Genom att säkerställa en korrekt kassering av denna produkt bidrar du till att förhindra potentiella, negativa konsekvenser för vår miljö och vår hälsa, som annars kan bli följden om produkten inte hanteras på rätt sätt.



Symbolen  på produkten, på emballage eller i medföljande dokumentation, indikerar att denna produkt inte får behandlas som vanligt hushållsavfall. Den skall i stället lämnas in på en lämplig uppsamlingsplats för återvinning av elektrisk och elektronisk utrustning. Produkten måste kasseras enligt lokala miljöbestämmelser för avfallshantering. För mer information om hantering, återvinning och återanvändning av denna produkt, var god kontakta de lokala myndigheterna, ortens sophanteringstjänst eller butiken/företaget där produkten inhandlades. Förpackningen är gjord för att skydda kylskåpet och dess komponenter under transporter och gjord i återvinningsbart material. Den är märkt med återvinningsymboler och förpackningsmaterialet ska lämnas på återvinningsstation.



2. Bruksanvisning

Kylskåpen finns i två versioner, standard med mekanisk termostat och som tillval med ASU. CR 42 och CR INOX finns inte med ASU som tillval.

De behandlas var för sig i nedanstående beskrivning av temperaturreglering. Kylskåpen är avsedda att användas i omgivningstemperaturer mellan 0°C och +45°C.

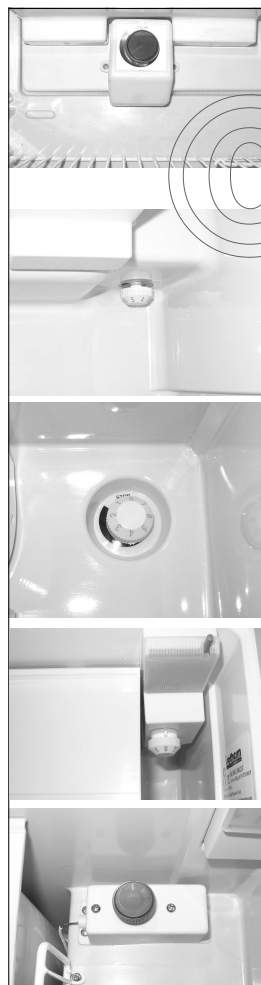
2.1 Temperaturreglering termostat

Med termostaten regleras kylens temperatur steglöst och den har dessutom en avstängningsfunktion i ändläget max moturs. Ett tydligt motstånd i vredet måste passeras vid avstängning. Termostatvredet sitter placerat i respektive kylskåpstyp enligt bilder nedan.

Temperaturen regleras enligt följande:

Vrids termostaten medurs blir det kallare och vrids den moturs blir det varmare i kylutrymmet.

Det rekommenderas att hålla en temperatur inne i skåpet på 5-6°C. Omgivningstemperaturen påverkar temperaturen inne i skåpet, varför det kan vara svårt att hålla rätt temperatur i skåpet om det utsätts för värme och direkt solljus.



Termostatplacering i CR 42, på bakväggen under köldfacket.

Termostatplacering i CR 49, på bakre horisontell vägg till höger om köldfacket.

Termostatplacering i CR 65, på bakväggen till höger om köldfacket.

Alternativ termostatplacering i CR 49 och CR 65, i belysningsarmaturen.

Termostatplacering i CR 85 & CR130, till höger om köldfacket bakom belysningsarmaturen.



Termostatplacering på CR 100, till höger i ventilationsgallret över dörren.

Termostatplacering CR 130 Drink, i belysningsarmaturen.

2.2 Temperaturreglering ASU

Isotherm kylskåp med ASU kan manövreras på två sätt. I läge "NORMAL.AUTO" erhålles automatiskt optimal temperatur i kylskåpet till absolut lägsta belastning på batterierna. I läge "MAN.TEMP" kopplas automatiken delvis bort och temperaturen kan ställas in efter individuella önskemål. I mittläget är kylskåpet avstängt.

Manöverpanelen placeras där den är lätt att se och manövrera. Manöverkabeln till panelen är 4 m lång och bakom panelen måste ett 12 mm hål borras för att ta igenom kabel med kontakt.



Läge NORMAL.AUTO

Den gröna lampan tänds omgående och visar att ström är tillkopplad och följande kylprogram kopplas in: Då motorn går och spänningen i elsystemet mätt i elektronikenheten, är över 13,2 (26,4) volt startar kompressorn och arbetar för att frysa ner och "ladda" kylmagasinet. Kompressorn startar inom 30 sekunder och går till en början med lågt varvtal och gula lampan "Economy" tänd. Efter ca. 30 sekunder varvar kompressorn och kylfläkten upp 75% till max varvtal och röd "Freeze" lampa tänds, den gula slocknar. Så kommer kompressorn att arbeta tills kylmagasinet är fulladdat vid ca. -14°C, mätt i kylmagasinet. Det tar ca. 35 till 50 min beroende på omgivningstemperatur, temperatur i skåpet vid start och kylskåpsstorlek. Därefter stannar kompressorn, röd lampa släcks och den återstartar först då kylmagasinet temperatur stigit till ca. -10°C.

Om motorn stannas, stoppar också kompressorn kort därefter, när spänningen sjunker under 12,7 (25,4) volt. Då motorn inte går och spänningen är lägre än 12,7 (25,4) volt används alltid i första hand den lagrade kylan i kylmagasinet. Först då denna är förbrukad kopplas kompressorn in igen och går då företrädesvis på lågvarv med gul lampa "Economy" tänd för att underhållskyla. Den startar vid -1°C och stannar vid -6°C i kylmagasinet i detta läge.

Läge MAN.TEMP

Detta läge kan användas då man inte behöver prioritera lägsta strömförbrukning och ligger på landström, har solceller eller av annan anledning vill åstadkomma kallare eller varmare temperatur i kylskåpet. Automaten är då delvis urkopplad och temperaturen regleras manuellt med vredet på manöverpanelen. Vid markeringen A passerar kylmagasinets temperatur för "Ackumulering". Då kompressorn i detta läge startar för att hålla den inställda temperaturen, går den företrädesvis på lägsta varvtal, eftersom låg ljudnivå eftersträvas då motorn inte är igång. Om emellertid skillnaden mellan inställd och verklig temperatur är mer än 6°, ökar kompressorn automatiskt sitt varvtal för att snabbare få ner temperaturen till önskvärd nivå. Så snart denna extra kapacitet inte längre behövs ändras varvtalet igen för att eftersträva lägsta möjliga strömförbrukning. Denna automatiska extra effekt är bra då man t.ex. lastar nya varma varor i skåpet.

Signaler på panelen

Fast grön:

Kylskåpet tillslaget, får ström, kompressorn står stilla.

Fast grön + gul:

Kompressorn går inom det höga temperaturområdet. Låg spänning.

Fast grön + röd:

Kompressorn går inom det låga temperaturområdet. Hög spänning.

Fast grön + gul + röd:

Kompressorn går på lägsta erforderliga varvtal för att uppnå inställd temperatur i läge MAN.TEMP.

Blinkande gul + röd:

Felsignal från ASU elektroniken. Upprepar startförsök efter 1 minut. ASU elektroniken får inte svarssignal från den svarta elektroniken vid startförsök.

Blinkande gul:

Batterivakten har löst ut vid 10,0/20,0 volt och stoppat kompressorn. Ladda batterierna genom att starta motorn eller koppla in batteriladdare. Kompressorn återstartar automatiskt vid 12,0/24,0 volt.

2.3 Användningstips

- Frysfacket är gjort för förvaring av frysta varor under en kort period, det har inte kapacitet för infrysning.
- Starta om möjligt kylskåpet ca. 6 timmar innan det ska lastas med kylvaror.
- Göra is i islådan, ställ den direkt mot förångaren och ställ inga andra varor ovanpå. För snabbare is-tillverkning, dra upp termostaten på max kyla.
- Lasta varorna i skåpet så att luften inne i skåpet kan cirkulera.
- Täck inte hyllorna med plast eller papper, etc.
- För att minska frostning i skåpet, ställ inte in vätskor som inte är tillslutna.
- Låt varma varor svalna innan de placeras i kylskåpet.

2.4 Avfrostning

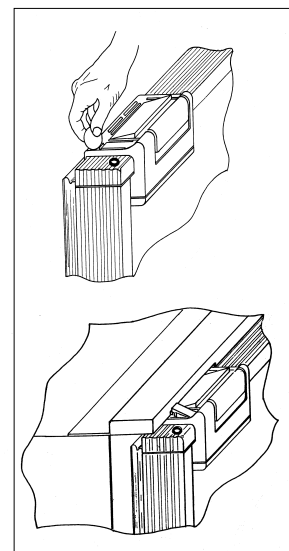
Eftersom förångaren arbetar i temperaturer under fryspunkten bildas frost och is på förångaren. Luftfuktighet, temperatur och hur ofta dörren öppnas påverkar frostbildningen i hög grad. Frosta av kylskåpet med jämna intervall, när frostlagret på förångaren har blivit 3-4 mm tjockt eller mer. Stäng av kylskåpet genom att vrida termostaten till 0-läget alternativt stäng av på ASU manöverpanel, strömställaren i mittläge. Utför avfrostningen lämpligen vid tillfällen då varorna kan förvaras utanför kylskåpet så kallt som möjligt. **Använd inga vassa föremål för att skapa bort is och frost från förångaren, den kan då skadas med läckage av köldmedium som följd.** Återstarta kylskåpet först när det är helt och hållet avfrostat, torrt och rent. Dra ut, töm och torka ur dropphyllan under förångaren. Lagg eventuellt en handduk längst ner i skåpet under avfrostningen som hjälper till att samla upp smältvatten.

3. Underhåll

Isotherm Cruise kylskåp har ett helt hermetiskt slutet kylsystem som inte kräver underhåll och efterfyllning av köldmedium.

Kompressorn är av speciell typ avsedd för mobila applikationer, med mycket hög verkningsgrad och en i särklass lång livslängd. Kylskåpet ska sitta kvar i båten under vintern, men kompressorn förmår inte att starta då temperaturen är kring 0°C eller lägre. Det säsongsvisa underhållet inskränker sig till att göra ren kondensorn på baksidan av skåpet. Den samlar med hjälp av fläkten en del damm som ska borstas/sugas bort. Använd mjuk borste och dammsugare.

Invändigt är det viktigt att hålla ordentligt rent med hjälp av ljummet vatten och en mild tvällösning. Lämna dörren öppen i vädringsläge då kylskåpet är avstängt och under vintern. Dörrlåset har ett vädringsläge, låshaken frigöres med en kniv eller ett mynt, Den passar mot skåpets topplista så att dörren hålls öppen. Ta ur glödlampan eller bryt strömmen till kylskåpet så att lampan inte tar onödig ström från batterierna.



3.1 Spänningsvakt

För att skydda batterierna från för djup urladdning slår en batterivakt ifrån kompressorn vid för låg spänning och återstartar först när spänningen höjts i systemet genom laddning av batterierna.

Systemspänning V	Frånslag volt	Tillslag volt
12	9,6 (10,4)	10,9 (11,7)
24	21,3 (22,8)	22,7 (24,2)

Om byggingen på elektronikdelen mellan C och P tas bort gäller de värden som står inom parentes.

För ASU kylskåpen gäller följande:

Systemspänning V	Frånslag volt	Tillslag volt
12	10,0	12,0
24	22,0	23,5

4 Installationsanvisning

Många båtar har ett utrymme avsett för kylskåp. Isotherm Cruise kylskåp håller de vanliga "standardmätt" som förekommer. Kylskåpet ska alltid placeras horisontellt så kompressorns gummifötter sitter nedåt. Kompressorn klarar en lutning på upp till 30° utan att stanna, även mer under en kort period. Vid större lutningar stannar kompressorn men återstartar igen då lutningen minskar.

På CR 42 sitter kompressorn monterad på en vinkelkonsol som kan tas loss från skåpet och har en extra rörledning i lättböjligt material så att kompressorn kan placeras på ett avstånd av ca. 1,5 m från skåpet.

Rörledningen måste hanteras med stor försiktighet så att den inte knäcks eller plattas till vid böjning.

Undvik att montera skåpet i närheten av värmekälla och undvik också montering som innebär att skåpet kan bli utsatt för direkt solljus.

Monteringen av kylskåpen underlättas om monteringskenor, som finns som tillbehör, användes på de modeller som inte har monteringsram som standard. Kylskåpen ska stå på sina gummifötter och låsas i position med hjälp av monteringsramen alternativt monteringskenor.

CR 49 & CR 65 har tre-sidig monteringsram som standard. Övriga modeller har monteringskenor som tillbehör, de skruvas fast en på varje sida av skåpet.

Om inte monteringskenor kan användas ska skåpet blockeras i sitt läge så det inte kan tippa/glida framåt vid dörröppning och sjögång.

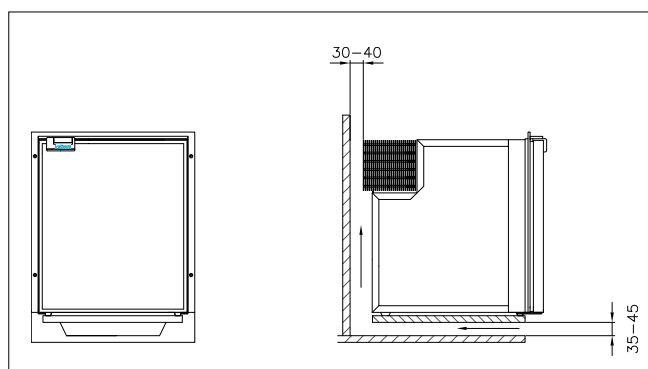
CR INOX kylskåpen monteras på samma sätt och har alla monteringsram för flushmontering.

4.1 Ventilation

Det är mycket viktigt att kompressorn/kondensorn som sitter baktill på skåpen är väl ventilerad så att sval luft kan komma fram underifrån och passera bakom kylskåpet och uppvärmd luft kan evakueras uppåt eller åt sidorna.

Det naturliga luftflödet nerifrån och uppåt kan förbättras ordentligt genom att ta upp ventilationsöppningar på lämpliga ställen. Lämplig storlek på öppningarna är 100-150 cm².

Se fig nedan med princip för bra ventilation.



4.2 Dörrfront

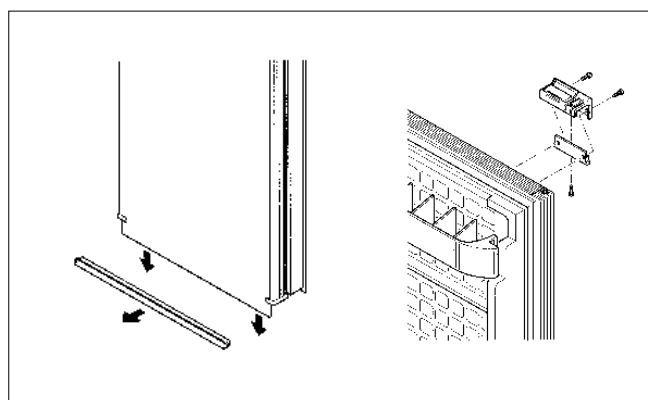
CR kylskåp är försedda med en grå dörrfront som standard. Som tillval finns dörrfronter i teak, mahogny, körsbä och vitt.

CR 42, 49 & 65 finns också i version med helvit dörr och rostri monteringsram.

INOX modellerna har dörr helt i rostfritt och har inte utbytbar dörrfront.

Extra dörrfront monteras utanför den befintliga grå, lossa den nedre plastlisten på dörren, den dras rakt utåt och lossa dessutom dörrlåset. Detta sitter med tre skruvar. Se fig.

Skjut in den nya fronten ovanpå den grå och skjut upp den ordentligt in under kanten på övre listen, tryck tillbaka den undre listen i sitt läge med handkraft. Återmontera låset.



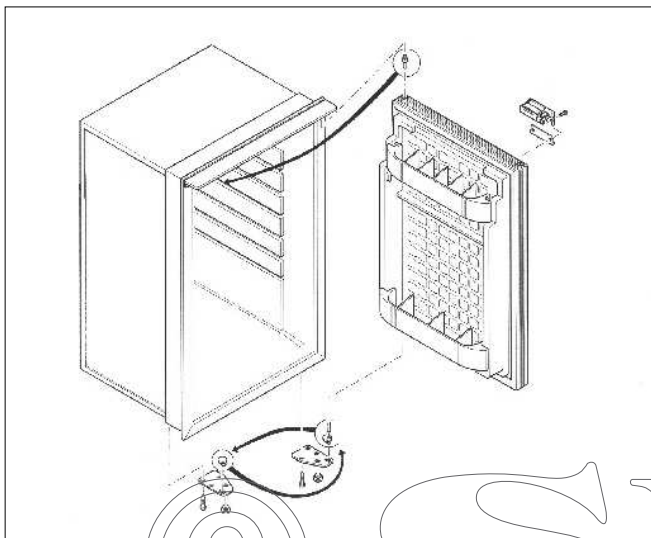
4.3 Omhängning dörr

Dörren hänger som standard till höger på kylskåpen. De kan hängas om till andra sidan genom att flytta övre och undre gångjärnsbeslagen till andra sidan. Dörrlåset flyttas också till andra sidan, se fig. ovan. CR 42 har undre gångjärnsbeslag utfört så att det räcker med att flytta över plastdetaljer och gångjärnstapp till andra sidan. Upptill flyttas tappen som är skruvad i topplisten, till andra sidan.

På CR 49, 65, 85 & 130 flyttas både undre och övre gångjärnsbeslag till andra sidan, nertill byter de plats med dörrstödet.

På CR 100 flyttas övre gångjärnstapp i ventilationsgallret till andra sidan och undre beslagen byter plats med varandra. CR INOX upp till storlek CR85 INOX kan också hängas om till andra sidan, de har samma dörr för höger och vänster. Övre och undre gångjärnsbeslag flyttas till andra sidan. CR 130 INOX kan inte hängas om med befintlig dörr, dörren har sidomonterat lås varför den i stället finns i vänster- och högerutförande.

Se fig.



4.4 Elektrisk anslutning

Vid anslutning till båtens elsystem är det viktigt att ta hänsyn till följande punkter:

- Använd alltid väl tilltagen kabelarea, se rekommendation i nedanstående tabell.
- Använd alltid mångtrådig koppar- alternativt förtent Kopparkalbel avsedd för marin miljö.
- Anslut kylen direkt till förbrukningsbatteri eller dess huvudbrytare. Undvik omväg via båtens elcentral, som kan orsaka onödigt spänningsfall.
- Kylskåpet ska avsäkras med 15A för 12 volt respektive 7.5A för 24 volt
- Koppla röd + kabel till elsystemets plussida och svart till minus. Använd rätt typ av pressade kabelskor avsedd för den kabeldimension som valts.
- Om en separat strömställare monteras för kylskåpet ska denna klara en belastning på 15A. Kylskåpet får inte anslutas direkt till en batteriladdare utan att ett batteri är kopplat parallellt.

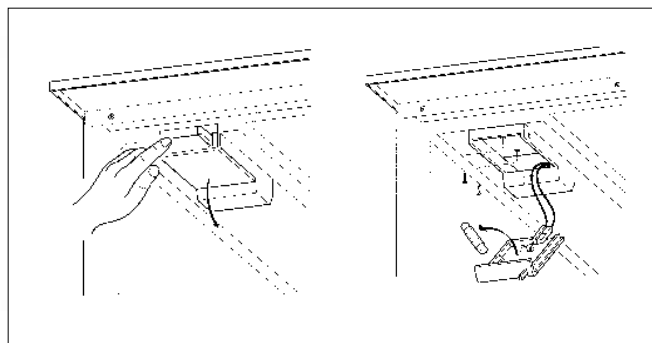
4.5 Elkabeldimensioner

Kabelarea mm ²	Max kabellängd i m, 12V	Max kabellängd i m, 24V
2,5	2,5	5
4	4	8
6	6	12

4.6 Innerbelysning

Alla kylskåp utom CR 42, CR 42 INOX och CR 100 har innerbelysning monterad upptill i skåpet. Se till att rätt glödlampa sitter monterad, 12 eller 24 volt beroende på vilken systemspänning som kylskåpet ansluts till. Både 12 och 24 volts glödlampa ingår i leveransen. Max 3 W får användas.

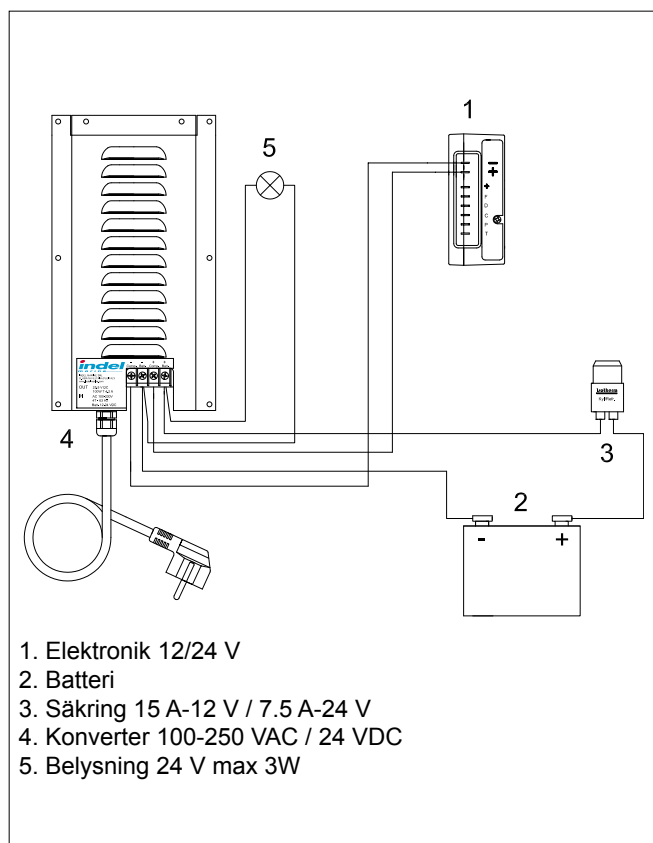
Vid byte, tryck belysningsarmaturens glas nedåt med hjälp av tryckstången. Byt lampa och tryck tillbaka belysningsinsatsen i sitt läge igen. Se fig.



4.7 Drift med konverter

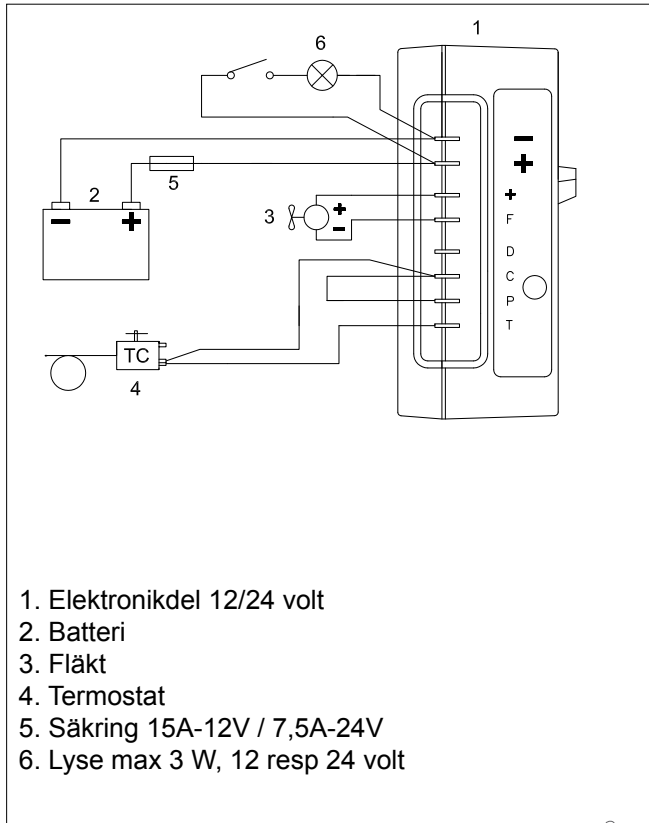
Som tillbehör finns konverter att montera på eller vid sidan av kylskåpet för drift direkt från elnätet. Den prioriterar nätström och kopplar automatiskt om till batteridrift när nätström inte finns tillgänglig. Konvertern skall ansluts till nätet med jordad stickpropp.

Kopplingsschema

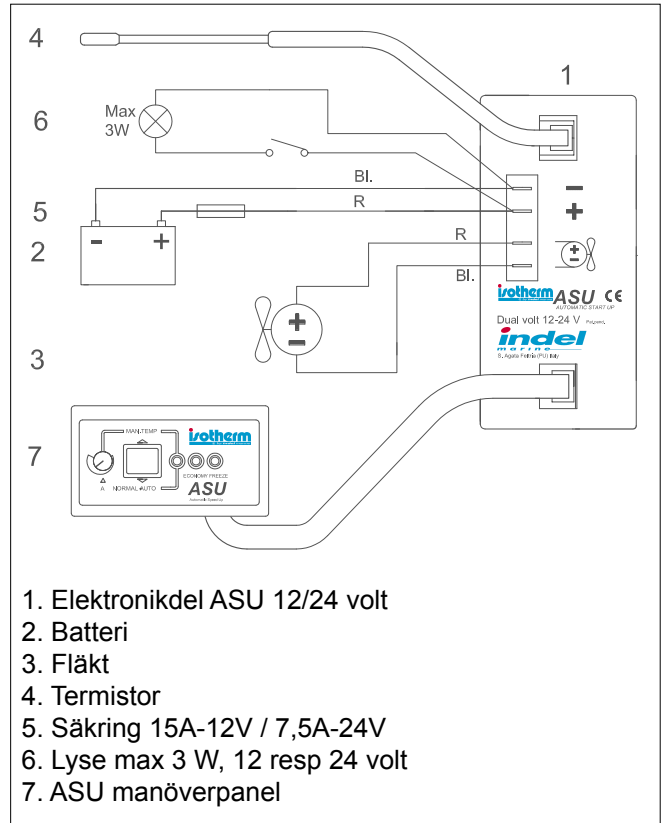


4.8 Elschema

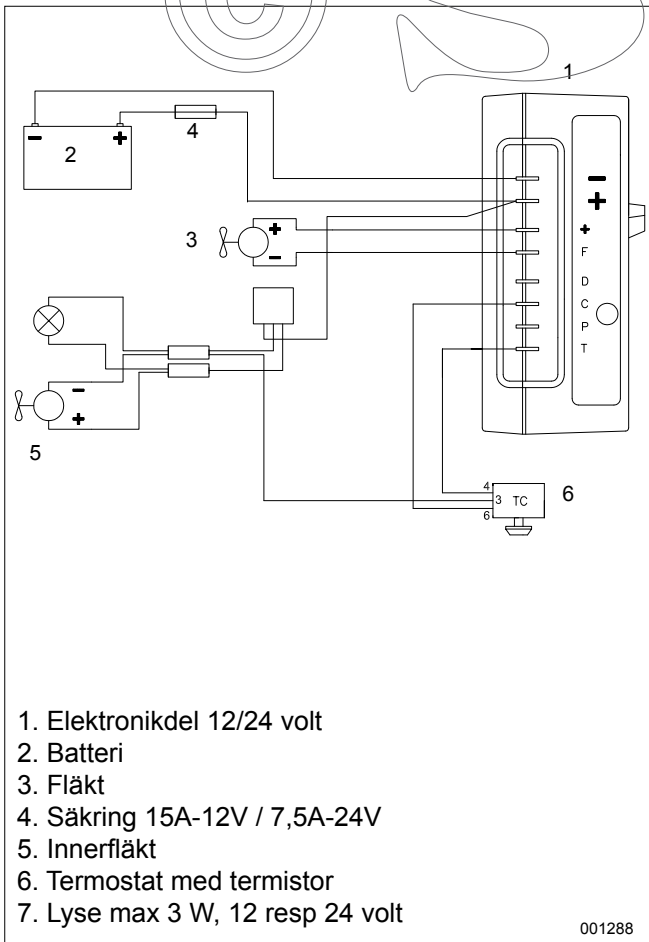
Kylskåp med standard termostat



Kylskåp ASU

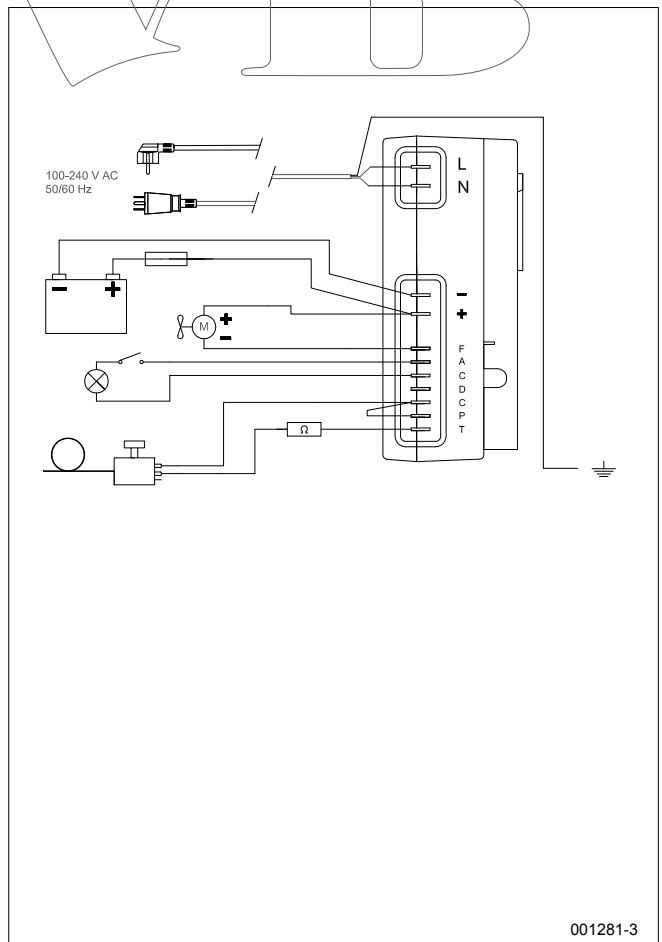


Kylskåp CR 130 Drink



001288

AC/DC 100-240V / 12-24V



001281-3

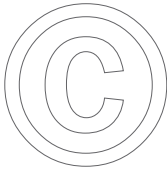
5 Tekniska data

Driftsspänning	12 alt. 24 volt DC
Strömförbrukning, då kompressorn går :	CR 42, 49 & 65: 2,5 - 2,7 A vid 12 V (hälften för 24 V) CR 85 & 100: 3,8 - 4 A vid 12 V CR 130: 4,7 - 5 A vid 12 V CR 130 Drink: 5- 5,3 A vid 12 V
Snittförbrukning:	CR 42 & 49: 0,6 A vid 12 V CR 65: 0,7 A vid 12 V CR 85: 0,8 A vid 12 V CR 100: 1,0 A vid 12 V CR 130: 1,2 A vid 12 V CR 130 Drink: 1,4 A vid 12 V
Snittförbrukning mätt vid +6° i kylutrymmet och 22°C omgivningstemperatur.	
Snittförbrukning påverkas mycket av hur kylskåpet användes och hur ventilationen är utförd.	
Kompressor:	Danfoss BD35F
Köldmedium:	R134a, fyllnadsmängd finns på kylskåpens typskylt.
Säkring:	Avsäkras med: 15 A -12 volt resp. 7,5 A - 24 volt

Kylskåpen uppfyller gällande EMC direktiv och är CE-märkta.



6 Felsökning

Fel	Möjlig orsak	Åtgärd
Kylskåpet blir inte kallt, kompressorn startar inte. 	Ingen strömförsörjning. Batterierna i dålig kondition. Felaktig termostat. Fel på elektronikenheten.	Kontrollera att ström och tillräcklig spänning finns fram till elektronikenheten, kontrollera säkringen. Fungerar innerbelysningen kommer ström fram till kompressorn. Kontrollera kablar, kabelskor och kopplingsplintar. Kontrollera att batteriladdning fungerar. Termostatkontroll: Bygla T - C med separat sladd, om kompressorn inte startar är troligen elektroniken trasig. Byt ut i så fall. Om kompressorn startar med bygling är termostaten trasig. Byt termostat.
Kompressorn gör endast korta startförsök.	Dålig spänning, spänningsfall vid startförsök aktiverar spänningsvakten. Batterierna urladdade.	Kontrollera kablar och anslutningar, rengör från ev. oxid och korrosion. Ladda batterierna, kör motorn eller anslut batteriladdare.
Kompressorn går men genererar ingen kyla.	Köldmedieförlust, läckage på förångare eller rörledning. Rörledning blockerad.	Läcktesta och reparera ev. läcka, vaccumsug och återfyll rätt mängd R134a. (En sådan åtgärd måste utföras av fackman.)
Kompressorn går under lång tid men genererar dåligt med kyla, svag effekt.	Dålig ventilation, kondensorn blir varm. Fläkten går inte. För mycket frost på förångaren. Kylskåpsdörren stänger inte korrekt, släpper in varm fuktig luft. Kondensorn igensatt av damm.	Förbättra ventilationen. Byt ut fläkten. Avfrost. Korrigerar dörrposition och kontrollera dörrtätningen. Rengör kondensorn.
Säkringen går sönder.	Fel säkring. Felaktig elektronikenhet.	Kontrollera säkring, 15 A-12 V / 7,5 A-24 V Byt ut elektronikenhet.

Vid mer komplicerade fel som kräver specialist, vänligen kontakta Indel Webasto Marine S.r.l. Italien, Thermoprodukter AB Kalmar, eller den lokala Isotherm distributören.

7 Installationsmått

CR kylskåp

	B *	H *	D1	D2	D3
CR 42	380	525	319	40	165

*) BxH = dagöppning, minmått

	B *	H *	D1	D2
CR 49	380	525	470	40
CR 65	450	530	500	40
CR 85	475	625	515	40
CR 100	485	745	455	40
CR130	525	745	505	40

*) BxH = dagöppning, minmått

Mer detaljerade ritningar finns på www.isootherm.se

CR INOX kylskåp

	B *	H *	D1	D3
CR 42 INOX	400	530	515	165

*) BxH = dagöppning, minmått

	B *	H *	D1
CR 49 INOX	400	530	510
CR 65 INOX	470	530	540
CR 85 INOX	495	625	555
CR 130 INOX	545	755	545

*) BxH = dagöppning, minmått

Mer detaljerade ritningar finns på www.isootherm.se

Índice

1 Introducción

1.1 Aspectos generales

1.2 Reglas de seguridad

1.3 Medio ambiente

2 Instrucciones de uso

2.1 Regulación de temperatura (termostato)

2.2 Regulación de temperatura (ASU)

2.3 Recomendaciones para el uso

2.4 Descongelación

3 Mantenimiento

3.1 Controlador de batería

4 Instrucciones de instalación

4.1 Ventilación

4.2 Frente de la puerta

4.3 Cambio de apertura de la puerta

4.4 Conexión eléctrica

4.5 Dimensiones de los cables de electricidad

4.6 Iluminación interior

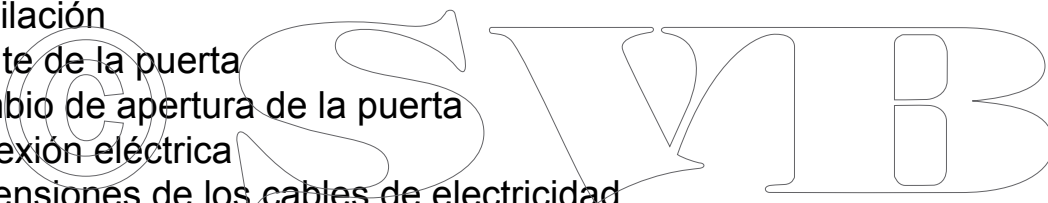
4.7 Funcionamiento con convertidor

4.8 Diagrama de conexión

5 Especificaciones técnicas

6 Localización de fallos

7 Dimensiones de instalación



1. Introducción

1.1 Aspectos generales

Las neveras para embarcaciones Isotherm están diseñadas para cumplir con las altas exigencias de los entornos marinos, tanto en lo referente a su rendimiento como a su construcción. Estos productos están equipados con un moderno compresor hermético y totalmente libre de posibles fugas. Dicho compresor proporciona el mínimo consumo energético y tiene un nivel sonoro muy bajo. Las neveras son fáciles de instalar. Resisten una inclinación de hasta 30°, y en ocasiones incluso superior.

Para obtener un funcionamiento óptimo, tener en cuenta lo siguiente:

- No abrir la nevera si no es absolutamente necesario. De lo contrario, el consumo energético aumentará.
- Una ventilación adecuada del compresor y el condensador influye positivamente sobre el consumo energético.
- Una condición necesaria es un sistema eléctrico que funcione debidamente. Controlar regularmente las baterías y la carga de las mismas. El motor debe tener siempre una batería de arranque individual.

Seguir atentamente las instrucciones en lo referente a las dimensiones del cable y los fusibles.

- Mantener limpia y seca la nevera. Vaciar el agua de condensación que se acumula en la bandeja de goteo, situada debajo del congelador de la nevera.
- Abrir siempre la puerta de la nevera para la aireación cuando no se use durante períodos cortos o largos. (Véanse las fig. 1 y 2).
- Limpiar el interior de la nevera con un detergente suave y agua templada antes de empezar a usarla.

Las neveras tienen un congelador con tapa situado en la parte superior de la nevera. El congelador está destinado a conservar productos congelados durante corto tiempo, 4-5 días como máximo, y no se enfriará lo suficiente como para congelar productos descongelados. Con ayuda de la bandeja para hielo se puede hacer hielo en el congelador. CR 130 Drink no tiene congelador.

Los modelos CR 49, 65, 85 y 130 se comercializan también en versión INOX.

Tienen un lado exterior de la puerta más exclusivo, de chapa inoxidable, armazón de montaje triangular inoxidable para montaje embutido, para obtener un lado delantero totalmente liso, y otro tipo de cerradura de puerta robusto e inoxidable.

El interior incluye también algunas piezas inoxidables.

1.2 Reglas de seguridad



• Al realizar la conexión con la toma de suministro eléctrico de tierra, éste debe estar protegido y puesto a tierra, y conectado a través de un interruptor de fallo a tierra. De lo contrario existe un gran riesgo de que se produzcan lesiones personales. No tocar ningún cable dañado o no aislado que esté conectado a la red de suministro eléctrico de tierra.

¡Peligro de muerte!




- Está terminantemente prohibido actuar sobre el circuito refrigerante.
- No liberar el refrigerante en el aire.
- Asegurarse de bloquear el sistema de ventilación de la unidad de refrigeración.
- No montar la nevera junto a una fuente de calor, como una cocina de gas, un calentador, un radiador, etc.
- Montar la nevera en un lugar seco y protegido de las salpicaduras de agua.
- No conectar el cargador de batería directamente a la unidad de refrigeración. El cargador de batería debe conectarse a la batería.
- Aparte del ácido de la batería, una batería recién cargada puede contener también gas oxhídrico explosivo. **¡Peligro!**
- No conservar en la nevera envases pulverizadores que contienen gas propelente inflamable.
- La reparación del sistema de refrigerante de la nevera puede ser efectuada exclusivamente por personal cualificado.

1.3 Medio ambiente

Este producto está certificado según la directiva de la UE 2002/96/CE sobre residuos de aparatos eléctricos y electrónicos (RAEE).

Asegurando una eliminación correcta de este producto se contribuye a evitar consecuencias negativas potenciales para el medio ambiente y la salud, que de lo contrario se producirían si el producto no se maneja de la manera correcta.



El símbolo  en el producto, el embalaje o la documentación que se incluye con el producto indica que éste no debe manipularse como residuo doméstico común. En lugar de ello, deberá entregarse el producto a un lugar de recolección adecuado para el reciclaje de aparatos eléctricos y electrónicos. Este producto debe eliminarse de conformidad con los reglamentos ambientales sobre tratamiento de residuos.

Para más información sobre el tratamiento, el reciclaje y la reutilización de este producto, contactar con las autoridades locales, el servicio de tratamiento de residuos de la zona o la tienda/empresa donde se adquirió el producto. El embalaje está destinado a proteger la nevera y sus componentes durante el transporte, y es de material reciclable. El embalaje está marcado con símbolos de reciclaje y su material debe entregarse a centros de reciclaje.



2. Instrucciones de uso

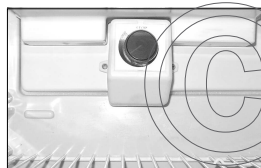
Las neveras se comercializan en dos versiones: estándar con termostato mecánico y, como opción, con ASU. Los modelos CR 42 y CR INOX no están disponibles con ASU como opción. En la siguiente descripción de la regulación de temperatura se presenta cada modelo por separado. Las neveras están destinadas a utilizarse a temperaturas ambiente de 0 °C a +45 °C.

2.1 Regulación de temperatura (termostato)

La temperatura de la nevera se regula, de forma continua, con ayuda del termostato. El termostato incorpora una función de desconexión en la posición final, en el sentido contrario a las agujas del reloj. Para desconectar la nevera, el botón debe pasar un claro punto de resistencia. El botón del termostato está situado en cada modelo de nevera como se indica en las figuras más adelante.

La temperatura se regula de la siguiente manera:

Si se gira el termostato en el sentido de las agujas del reloj, se reduce la temperatura en el compartimiento de la nevera. Si se gira en sentido contrario, aumenta la temperatura. Se recomienda mantener una temperatura interior de la nevera de 5-6 °C. La temperatura ambiente influye en la temperatura interior de la nevera, por lo que puede ser difícil mantener la temperatura adecuada de la nevera si está expuesta al calor o la luz solar directa.



La ubicación del termostato en el modelo CR 42 es en la pared trasera, debajo del congelador.



En el modelo CR 49, el termostato está situado en la pared horizontal trasera a la derecha del congelador.



En el modelo CR 65, el termostato está situado en la pared trasera a la derecha del congelador.



Como alternativa, en los modelos CR 49 y CR 65, el termostato puede estar situado en el accesorio de iluminación.



En los modelos CR 85 y CR 130, el termostato está situado a la derecha del congelador detrás del accesorio de iluminación.



En el modelo CR 100, a la derecha de la rejilla de ventilación, sobre la puerta.



La ubicación del termostato en el modelo CR 130 Drink es en el accesorio de iluminación.

2.2 Regulación de temperatura (ASU)

Las neveras Isotherm con ASU pueden controlarse de dos maneras. En la posición "NORMAL.AUTO" se obtiene automáticamente la temperatura óptima en la nevera con una carga mínima de las baterías. En la posición "MAN.TEMP", el automatismo se desconecta parcialmente y es posible regular la temperatura según las preferencias individuales. En la posición central, la nevera está apagada. Colocar el panel de control en un lugar visible y accesible. El cable de control para el panel es de 4 metros de largo. Detrás del panel debe perforarse un orificio de 12 mm para pasar el cable con el enchufe.



Posición NORMAL.AUTO

La luz verde se enciende inmediatamente e indica que la corriente está conectada, y se activan los siguientes programas de refrigeración:

Cuando el motor está funcionando y la tensión en el sistema eléctrico medida en la unidad electrónica es superior a 13,2 (26,4) voltios, el compresor se pone en marcha y funciona para descongelar y "cargar" el depósito de refrigerante. El compresor se pone en marcha en un plazo de 30 segundos y al principio funciona a baja velocidad y con la luz amarilla "Economy" encendida. Después de 30 segundos aproximadamente, el compresor y el ventilador de refrigeración aceleran hasta un 75% a la velocidad máxima y se enciende la luz roja "Freeze" (la amarilla se apaga). El compresor continuará funcionando de esta manera hasta que el depósito de refrigerante esté totalmente lleno a una temperatura de -14 °C medida en el depósito de refrigerante. Esto lleva 35 a 50 minutos según la temperatura ambiente, la temperatura en la nevera al momento del arranque y el tamaño de la nevera. Después, el compresor se detiene, la luz roja se apaga y vuelve a arrancar recién cuando la temperatura del depósito de refrigerante ha aumentado a -10 °C aproximadamente.

Si el motor se para, el compresor también se detiene poco después, cuando la tensión desciende por debajo de 12,7 (25,4) voltios. Cuando el motor no está en marcha y la tensión es inferior a 12,7 (25,4) voltios, se utiliza siempre primero el frío almacenado en el depósito de refrigerante. Recién cuando se ha consumido éste, el compresor vuelve a activarse y funciona principalmente a baja velocidad con la luz amarilla "Economy" encendida para mantener el frío. El compresor se pone en marcha con -1 °C y se detiene con -6 °C en el depósito de refrigerante en esta posición.

Posición MAN.TEMP

Esta posición puede utilizarse cuando no es necesario priorizar un bajo consumo energético y se utiliza el suministro eléctrico de tierra, cuando la embarcación tiene células solares o cuando, por otro motivo, se desea obtener una temperatura más baja o más alta en la nevera. El automatismo está entonces parcialmente desactivado y la temperatura se regula manualmente con el botón del panel de control. En la marca "A" se pasa la temperatura del depósito de refrigerante para "Acumulación". Cuando el compresor en esta posición se pone en marcha para mantener la temperatura regulada, funciona principalmente a mínima velocidad, dado que se trata de alcanzar un bajo nivel sonoro cuando el motor no está en marcha. No obstante, si la diferencia entre la temperatura regulada y la real es superior a 6°, el compresor aumenta automáticamente su velocidad para reducir rápidamente la temperatura al nivel deseado. Cuando esta capacidad adicional ya no es necesaria, se modifica nuevamente la velocidad tratando de lograr el menor consumo energético posible. Esta potencia adicional automática es adecuada, por ejemplo, cuando se colocan nuevos productos calientes en la nevera.

Señales en el panel

Verde fija:

Nevera activada, recibe corriente, compresor inmóvil.

Verde + amarilla fijas:

El compresor funciona en el campo de temperaturas altas. Baja tensión.

Verde + roja fijas:

El compresor funciona en el campo de temperaturas bajas. Alta tensión.

Verde + amarilla + roja fijas:

El compresor funciona a la menor temperatura requerida para alcanzar la temperatura regulada en la posición MAN.TEMP.

Amarilla + roja parpadeantes:

Señal de error de la unidad electrónica ASU. Repite el intento de arranque después de 1 minuto. La unidad electrónica ASU no recibe una señal de respuesta de la unidad electrónica negra durante el arranque.

Amarilla parpadeante:

El controlador de batería se ha disparado con 10,0/20,0 voltios y ha detenido el compresor. Cargar las baterías poniendo en marcha el motor o activando el cargador de batería. El compresor vuelve a ponerse en marcha automáticamente con 12,0/24,0 voltios.

2.3 Recomendaciones para el uso

- El congelador está destinado a la conservación de productos congelados durante un corto período y no tiene capacidad de congelación.
- Si es posible, encender la nevera unas 6 horas antes de cargarla con productos refrigerados.
- Para hacer hielo en la bandeja, colocar ésta directamente contra el evaporador y no colocar ningún otro producto sobre la misma. Para obtener hielo más rápidamente, regular el termostato para frío máximo.
- Cargar los productos en la nevera de modo que el aire pueda circular en el interior de la misma.
- No cubrir los estantes con plástico o papel, etc.
- Para reducir la escarcha en la nevera, no colocar líquidos que estén abiertos.
- Esperar a que los productos calientes se enfríen antes de introducirlos en la nevera.

2.4 Descongelación

Dado que el evaporador funciona a temperaturas por debajo del punto de congelación, se forma escarcha y hielo en el evaporador.

La humedad del aire, la temperatura y con qué frecuencia se abre la puerta son factores que influyen mucho en la formación de escarcha.

La descongelación debe efectuarse con regularidad cuando hay una capa de escarcha de 3-4 mm o más gruesa en el evaporador.

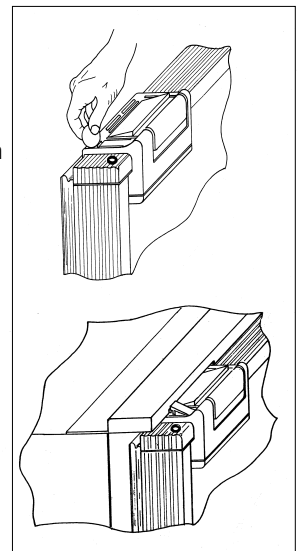
Apagar la nevera girando el termostato a la posición 0, o en el panel de control ASU, colocando el conmutador en la posición central. Preferentemente, efectuar la descongelación cuando sea posible conservar los productos fuera de la nevera con el mayor frío posible. **No usar objetos afilados para quitar el hielo o la escarcha del evaporador porque éste puede dañarse y tener fugas de refrigerante.** No poner en marcha la nevera antes de que esté completamente libre de escarcha, seca y limpia. Retirar, vaciar y secar la bandeja de goteo debajo del evaporador. Si es necesario, colocar una toalla en la parte inferior de la nevera durante la descongelación para acumular más fácilmente el agua.

3. Mantenimiento

Las neveras Isotherm Cruise tienen un sistema de refrigeración cerrado totalmente hermético que no requiere mantenimiento ni relleno de refrigerante.

El compresor es de tipo especial para aplicaciones móviles, con alto grado de eficacia y una vida útil extremadamente larga. Durante el invierno, la nevera debe permanecer en la embarcación, pero el compresor no puede ponerse en marcha cuando la temperatura es de alrededor de 0 °C o inferior. El mantenimiento anual se limita a limpiar el condensador al reverso de la nevera. Aquí se acumula mucho polvo por acción del ventilador. Quitar el polvo con un cepillo suave o un aspirador.

Es importante mantener bien limpio el interior de la nevera con ayuda de agua templada y una solución jabonosa suave. Dejar abierta la puerta para la aireación cuando la nevera está apagada y durante el invierno. La cerradura de la puerta tiene una posición de aireación, soltar el gancho de bloqueo con un cuchillo o una moneda. El gancho coincide con la moldura superior de la nevera de modo que la puerta de ésta permanezca abierta. Retirar la bombilla o cortar la corriente a la nevera para que la bombilla no consuma innecesariamente corriente de las baterías.



3.1 Controlador de batería

Para evitar una fuerte descarga de las baterías, un controlador de batería desconecta el compresor si la tensión es demasiado baja, y lo vuelve a conectar recién cuando la tensión del sistema ha aumentado mediante la carga de las baterías.

Tensión del sistema V	Desconexión, voltios	Conexión, voltios
12	9,6 (10,4)	10,9 (11,7)
24	21,3 (22,8)	22,7 (24,2)

Si se quita el puente en la parte electrónica entre C y P, son aplicables los valores que se indican entre paréntesis.

Para las neveras ASU, rige lo siguiente:

Tensión del sistema V	Desconexión, voltios	Conexión, voltios
12	10,0	12,0
24	22,0	23,5

4 Instrucciones de instalación

Muchas embarcaciones tienen lugar para instalar una nevera. Las neveras Isotherm Cruise tienen las dimensiones "estándar" comunes que se utilizan en el mercado. La nevera debe colocarse siempre en posición horizontal con las patas de goma del compresor hacia abajo. El compresor resiste una inclinación de hasta 30° sin detenerse, incluso superior durante un breve lapso. Si se producen inclinaciones mayores, el compresor se detiene pero vuelve a ponerse en marcha cuando la inclinación se reduce. En el modelo CR 42, el compresor está montado sobre un soporte en ángulo que puede separarse de la nevera y tiene un conducto adicional fabricado en material que se dobla fácilmente, por lo que puede colocarse el compresor a una distancia de 1,5 metros de la nevera. El conducto debe manejarse con mucho cuidado para que no se rompa o se aplaste al doblarlo. Evítese la instalación de la nevera cerca de una fuente de calor o en un lugar que pueda quedar expuesto a la luz solar directa.

El montaje de la nevera es más fácil si se utilizan barras de montaje (disponibles como accesorios) en los modelos que no tienen armazón de montaje como estándar. La nevera debe estar apoyada sobre las patas de goma y mantenerse inmóvil con ayuda del armazón de montaje o las barras de montaje.

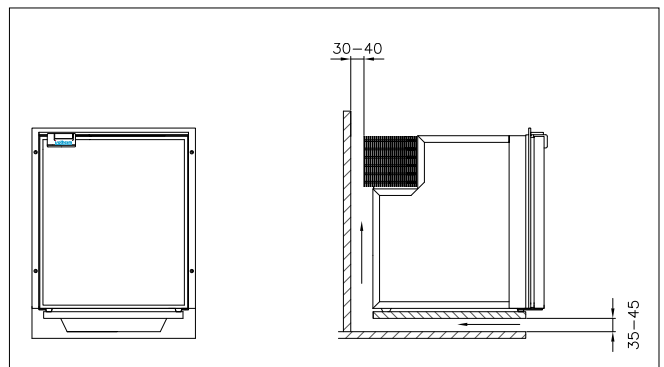
Los modelos CR 49 y CR 65 tienen un armazón de montaje triangular como estándar. Los demás modelos tienen barras de montaje como accesorio que se fijan con tornillos a cada lado de la nevera. Si no es posible utilizar barras de montaje, se debe inmovilizar la nevera en su lugar para que no pueda volcar/deslizarse hacia delante al abrir la puerta o con el oleaje.

El modelo CR INOX se instala de la misma manera y tiene armazón para montaje empotrado.

4.1 Ventilación

Es muy importante que el compresor/condensador que está situado en la parte trasera de la nevera tenga buena ventilación de modo que el aire fresco pueda entrar desde atrás y pasar detrás de la nevera, y el aire caliente pueda evacuarse hacia arriba o hacia los costados.

El flujo de aire natural desde abajo y hacia arriba se puede mejorar considerablemente realizando aberturas de ventilación en lugares adecuados. El tamaño adecuado de las aberturas es de 100-150 cm². Véase la figura siguiente que muestra el principio de una buena ventilación.



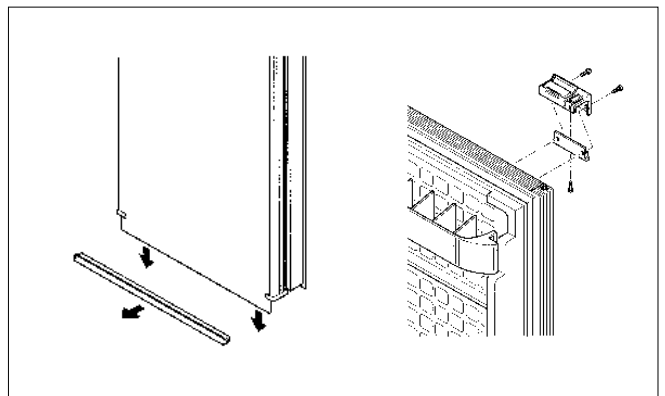
4.2 Frente de la puerta

Las neveras CR tienen un frente de puerta gris como estándar. Como opción hay disponibles frentes de puerta de teca, caoba, cerezo y color blanco.

Los modelos CR 42, 49 y 65 también están disponibles con puerta totalmente blanca y armazón de montaje inoxidable. Los modelos INOX tienen una puerta fabricada totalmente en acero inoxidable y el frente no es reemplazable.

El frente de puerta adicional se coloca afuera del gris existente. Aflojar la moldura de plástico inferior de la puerta, tirarla de forma recta hacia arriba y aflojar también la cerradura de la puerta. La misma está fija con tres tornillos. Véase la fig.

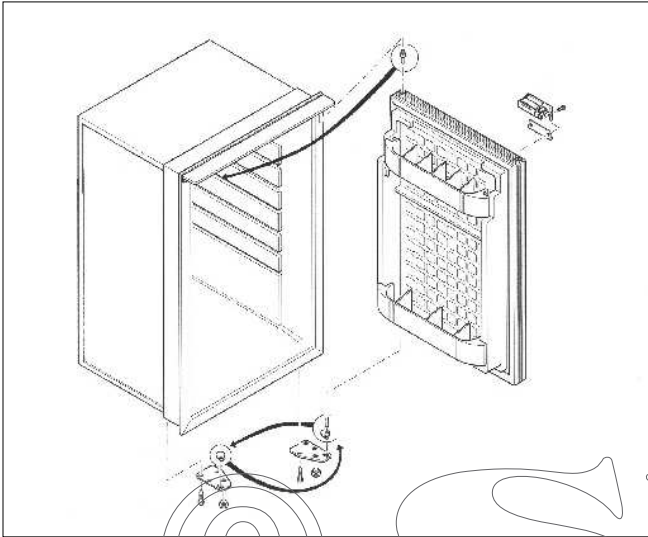
Deslizar el nuevo frente sobre el gris y empujarlo bien debajo del borde de la moldura superior, presionar la moldura inferior nuevamente a su posición con la mano. Montar otra vez la cerradura.



4.3 Cambio de apertura de la puerta

Como estándar, la puerta viene suspendida del lado derecho de la nevera. Puede suspenderse del lado izquierdo trasladando los accesorios de bisagra superiores e inferiores al lado opuesto. La cerradura también se traslada al otro lado, véase la figura anterior. El modelo CR 42 tiene los accesorios de bisagra diseñados de tal manera que es suficiente trasladar las piezas de plástico y el eje de bisagra al lado opuesto. En la parte superior se traslada el eje que está atornillado a la moldura superior, al otro lado.

En los modelos CR 49, 65, 85 y 130 se trasladan el accesorio inferior y el accesorio superior al otro lado, en la parte inferior cambian de lugar con el soporte de la puerta. En el modelo CR 100 se traslada el eje de bisagra superior en la rejilla de ventilación al otro lado, y los accesorios inferiores cambian de lugar entre sí. Los modelos CR INOX hasta el tamaño CR85 INOX también pueden suspenderse del otro lado, tienen la misma puerta para la derecha e izquierda. Los accesorios de bisagra superiores e inferiores se trasladan al otro lado. El modelo CR 130 INOX no puede suspenderse del otro lado con la puerta existente, ésta tiene una cerradura de montaje lateral y por eso viene en una versión para el lado derecho y una versión para el lado izquierdo. Véase la fig.



4.4 Conexión eléctrica

Al realizar la conexión eléctrica de la embarcación, tener en consideración lo siguiente:

- Utilizar siempre un área de cable lo suficientemente grande, véanse las recomendaciones en la tabla siguiente.
- Utilizar siempre cable de cobre de varios hilos o cable de cobre estañado para entornos marinos.
- Conectar la nevera directamente a la batería de consumo o a su interruptor principal. Evitar un desvío a través de la central eléctrica de la embarcación porque puede provocar caídas innecesarias de tensión.
- Proteger la nevera con fusibles, de 15 A para 12 voltios y de 7,5 A para 24 voltios
- Conectar el cable rojo + al polo positivo del sistema eléctrico y el cable negro al polo negativo. Usar el tipo adecuado de manguito de cables para la dimensión de cable seleccionada.
- Si se coloca un conmutador separado para la nevera, éste debe resistir una carga de 15A.

La nevera no debe conectarse directamente a un cargador de batería si no hay conectada una batería en paralelo.

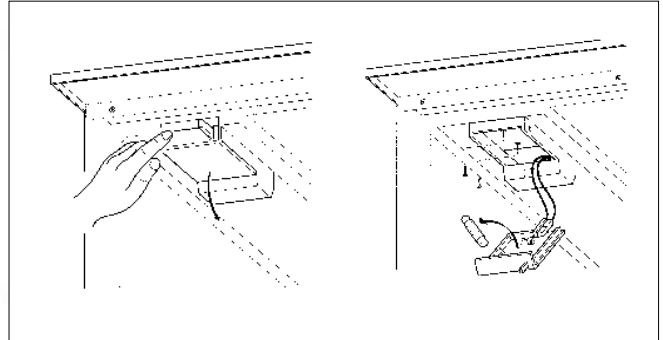
4.5 Dimensiones de los cables de electricidad

Área de cable mm ²	Longitud de cable máx. en metros, 12V	Longitud de cable máx. en metros, 24V
2,5	2,5	5
4	4	8
6	6	12

4.6 Iluminación interior

Todas las neveras, excepto los modelos CR 42, CR 42 INOX y CR 100, tienen iluminación interior montada en la parte superior de la nevera. Controlar que esté montada la bombilla correcta, de 12 ó 24 voltios según la tensión del sistema a la que se conecte la nevera. El suministro incluye una bombilla de 12 voltios y una bombilla de 24 voltios. Se pueden utilizar 3 W como máximo.

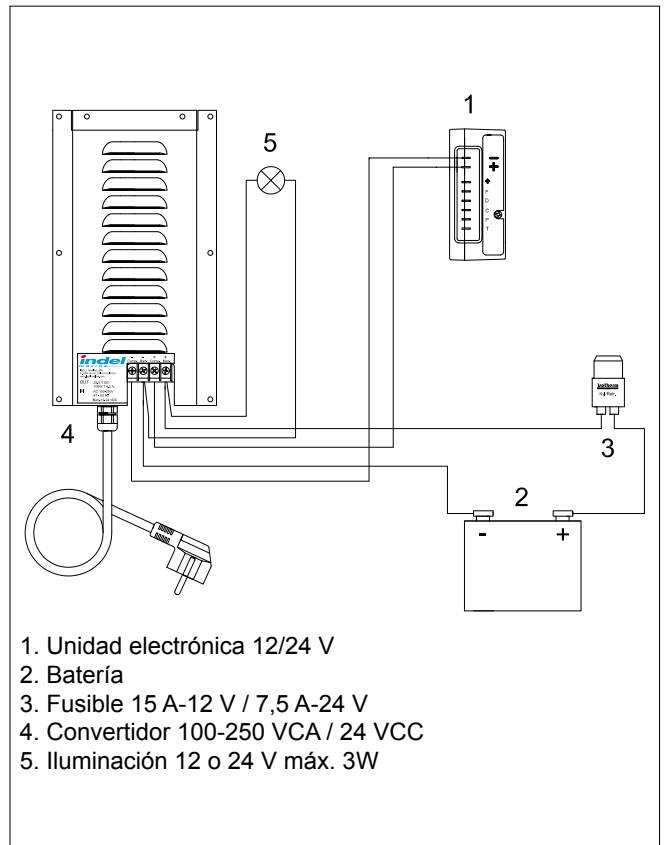
Para sustituir la bombilla, presionar hacia abajo el vidrio de la armadura de iluminación con ayuda de la varilla de empuje. Cambiar la bombilla y volver a colocar el suplemento de iluminación en su lugar. Véase la fig.



4.7 Funcionamiento con convertidor

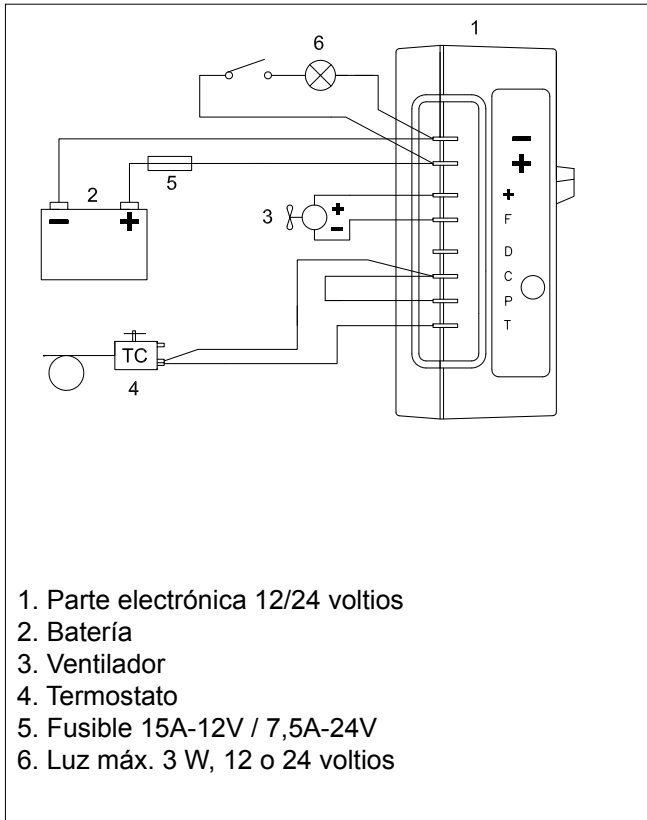
Como accesorio, hay disponible un convertidor para montar arriba o al costado de la nevera y hacer que ésta funcione con alimentación directa de la red eléctrica. El convertidor prioriza la corriente de red y conmuta automáticamente a la operación de batería cuando la corriente de red no está accesible. El convertidor debe conectarse a la red con enchufe conectado a tierra.

Diagrama de conexión

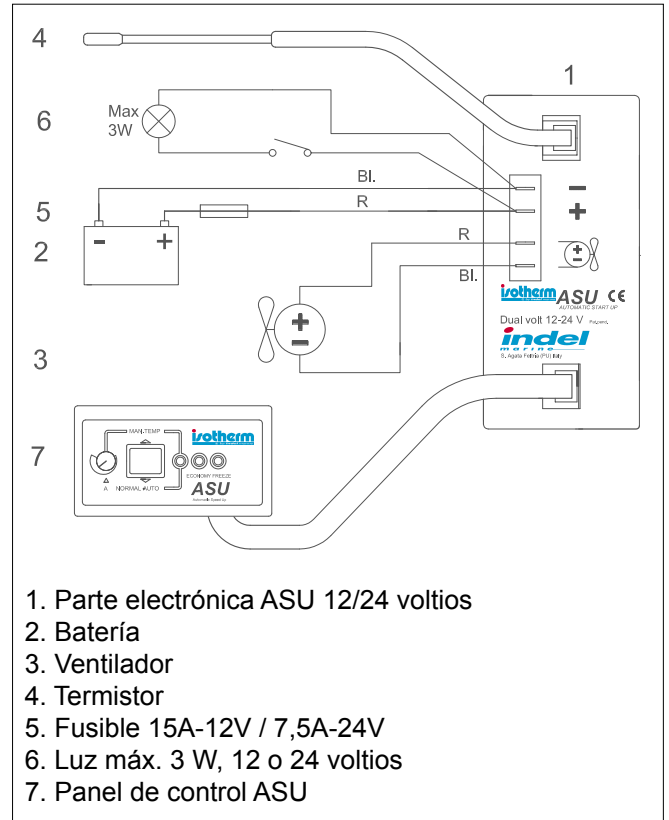


4.8 Diagrama de conexión

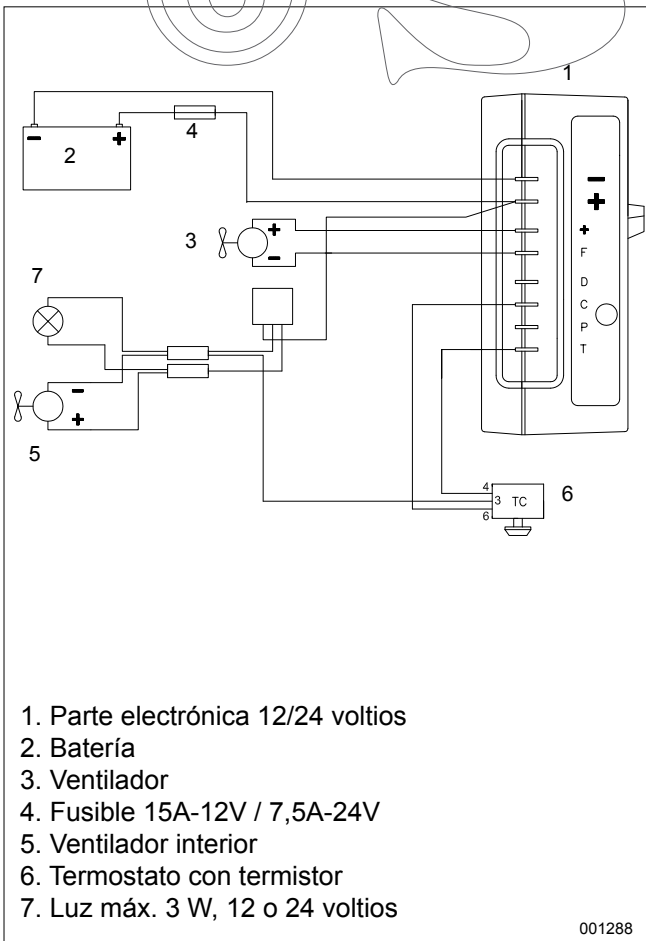
Nevera con termostato estándar



Nevera ASU

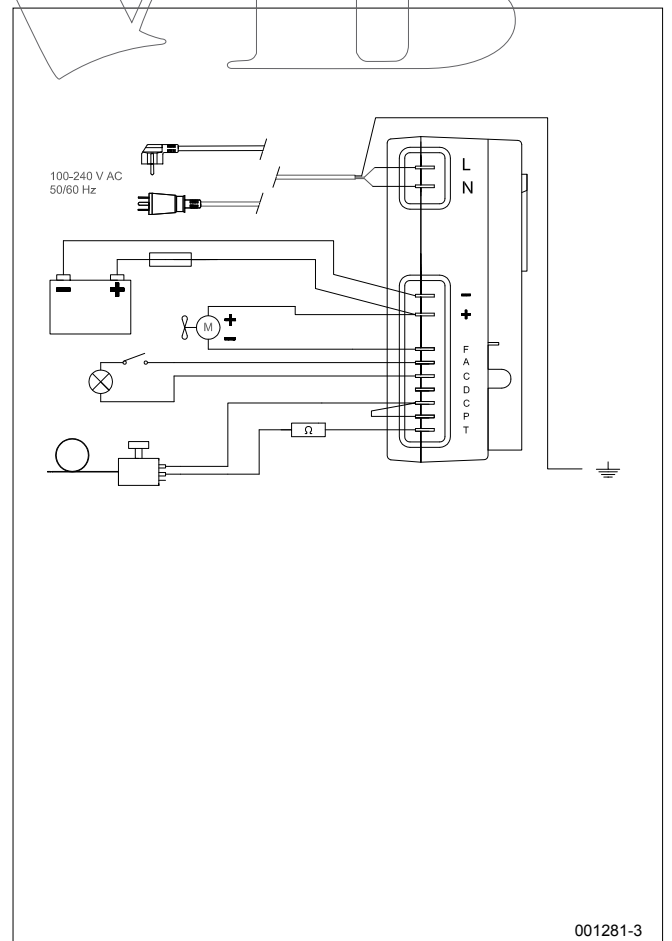


Nevera CR 130 Drink



001288

AC/DC 100-240V / 12-24V



001281-3

5 Especificaciones técnicas

Tensión de servicio	12 ó 24 voltios CC
Consumo energético (compresor en marcha):	CR 42, 49 y 65: 2,5 - 2,7 A con 12 V (la mitad para 24 V) CR 85 y 100: 3,8 - 4 A con 12 V CR 130: 4,7 - 5 A con 12 V CR 130 Drink: 5 - 5,3 A con 12 V
Consumo medio:	CR 42 y 49: 0,6 A con 12 V CR 65: 0,7 A con 12 V CR 85: 0,8 A con 12 V CR 100: 1,0 A con 12 V CR 130: 1,2 A con 12 V CR 130 Drink: 1,4 A con 12 V
Consumo medio medido con +6 °C en el habitáculo de la nevera y 22 °C de temperatura ambiente. El consumo energético medio depende mucho de cómo se utiliza la nevera y del tipo de ventilación.	
Compresor:	Danfoss BD35F
Refrigerante:	R134a, la cantidad de reposición se indica en la placa de tipo de la nevera.
Fusible:	Protección con: 15 A -12 voltios o, alternativamente, 7,5 A - 24 voltios

Las neveras cumplen con la directiva EMC vigente y poseen la marcación CE.



6 Localización de fallos

Fallo	Posible causa	Medida
La nevera no se enfría, el compresor no se pone en marcha.	No hay suministro eléctrico. Las baterías están en malas condiciones. Termostato defectuoso. Fallo en la unidad electrónica.	Comprobar que la unidad electrónica recibe corriente y tensión suficiente, controlar el fusible. Si la iluminación interior funciona, significa que el compresor recibe corriente. Controlar los cables, los manguitos y las regletas de terminales. Comprobar que funciona la carga de la batería. Control del termostato: Puentear T - C con un cable separado, si el compresor no se pone en marcha la unidad electrónica está posiblemente averiada. En ese caso, sustituirla. Si el compresor se pone en marcha con el puenteo, el termostato está averiado. Sustituir el termostato.
El compresor se pone en marcha pero se detiene inmediatamente.	Tensión insuficiente, la caída de tensión en el arranque activa el controlador de tensión. Baterías descargadas.	Controlar los cables y las conexiones, eliminar la posible presencia de óxido y corrosión. Cargar las baterías, hacer funcionar el motor o conectar el cargador de baterías.
El compresor funciona pero no genera frío.	Pérdida de refrigerante, fugas en el evaporador o los conductos. Conducto bloqueado.	Hacer una detección de fugas y reponer la cantidad correcta de R134a. (Una medida de este tipo debe ser realizada por un especialista.)
El compresor funciona durante un largo tiempo pero genera poco frío, potencia débil.	Ventilación insuficiente, el condensador se calienta demasiado. El ventilador no funciona. Demasiada escarcha en el evaporador. La puerta de la nevera no cierra bien y deja entrar aire húmedo caliente. Condensador obstruido con polvo.	Mejorar la ventilación. Sustituir el ventilador. Descongelar. Corregir la posición de la puerta y controlar la junta de la puerta. Limpiar el condensador.
El fusible se rompe.	Fusible incorrecto. Unidad electrónica averiada.	Controlar el fusible, 15 A-12 V / 7,5 A-24 V Cambiar la unidad electrónica.

Para fallos más complejos que requieren un especialista, ponerse en contacto con Indel Webasto Marine S.r.l. Italia o el distribuidor local de Isotherm.

7 Medidas de instalación

Nevera CR

	B *	H *	D1	D2	D3
CR 42	380	525	319	40	165

*) BxH = abertura, medidas mínimas

	B *	H *	D1	D2
CR 49	380	525	470	40
CR 65	450	530	500	40
CR 85	475	625	515	40
CR 100	485	745	455	40
CR130	525	745	505	40

*) BxH = abertura, medidas mínimas

Para planos más detallados, ir a www.indelwebastomarine.com

Nevera CR INOX

	B *	H *	D1	D3
CR 42 INOX	400	530	515	165

*) BxH = abertura, medidas mínimas

	B *	H *	D1
CR 49 INOX	400	530	510
CR 65 INOX	470	530	540
CR 85 INOX	495	625	555
CR 130 INOX	545	755	545

*) BxH = abertura, medidas mínimas

Para planos más detallados, ir a www.indelwebastomarine.com

Inhoudsopgave

1 Inleiding

1.1 Algemeen

1.2 Veiligheidsinstructies

1.3 Milieu

2 Gebruiksaanwijzing

2.1 Temperatuurregeling met thermostaat

2.2 Temperatuurregeling ASU

2.3 Tips voor gebruik

2.4 Ontdooien

3 Onderhoud

3.1 Spanningsregelaar

4 Installatievoorschriften

4.1 Ventilatie

4.2 Deurpaneel

4.3 Deur verhangen

4.4 Elektrische aansluiting

4.5 Afmetingen bedrading

4.6 Binnenverlichting

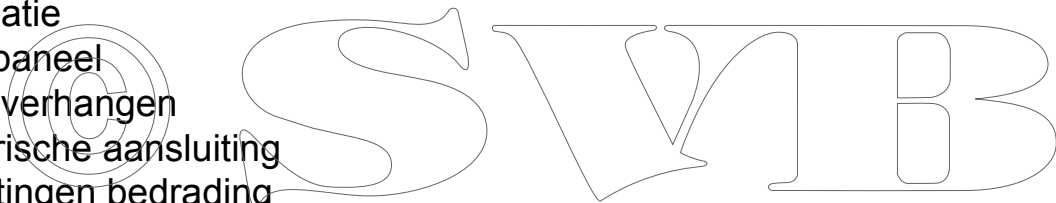
4.7 Bedrijf met omvormer

4.8 Bedradingschema

5 Technische gegevens

6 Storingzoeken

7 Installatieafmetingen



1. Inleiding

1.1 Algemeen

Isotherm koelkasten voor boten zijn gefabriceerd met het oog op de hoog gestelde eisen voor een maritiem milieu, zowel wat betreft prestatie als uitvoering. Ze zijn uitgerust met een moderne geheel lekkagevrije, luchtdichte compressor voor een zo gering mogelijk energieverbruik en een extreem laag geluidsniveau. Deze koelkasten zijn eenvoudig te installeren. Ze zijn bestand tegen een hellingshoek tot 30°, tijdelijk meer. Voor optimaal bedrijf is het van belang dat onderstaande punten in acht worden genomen:

- Onnodig veel openen van de koelkast. Hierdoor neemt het stroomverbruik toe.
- Goede ventilatie van compressor en condensor is ook van belang voor een zo laag mogelijk stroomverbruik.
- Een goed functionerend elektrisch systeem is een vereiste. Controleer de accu's en de lading ervan regelmatig. De motor dient altijd een aparte startaccu te hebben. Volg altijd de aanwijzingen voor de draaddikte en de zekering.
- Houd de koelkast altijd schoon en droog. Verwijder regelmatig eventueel condenswater dat wordt opgevangen in de afdruiptank onder het vriesvak van de koelkast.
- Wanneer de koelkast gedurende langere of kortere periodes niet wordt gebruikt, laat dan altijd de deur op een kier staan. (Zie fig. 1 en 2).
- Maak de koelkast van binnen schoon met lauw water en een milde zeepoplossing voordat deze in gebruik wordt genomen.

De koelkast heeft helemaal bovenin een vriesvak met een luikje. Dit vriesvak is bedoeld voor kortstondige bewaring van bevroren waren, maximaal 4-5 dagen, en het is niet koud genoeg om iets in te vriezen. Met behulp van het vriesvak is het wel mogelijk om ijsblokjes te maken.

De CR 130 Drink heeft geen vriesvak.

De CR 49, 65, 85 & 130 zijn ook in een INOX versie verkrijgbaar.

Deze koelkasten hebben een meer exclusieve deur van roestvrij plaatwerk, een roestvrij driezijdig montageframe voor flushmontage voor een geheel vlakke voorzijde en een ander type steviger roestvrijstalen deurvergrendeling. Ook sommige onderdelen van het interieur zijn van roestvrij staal.

1.2 Veiligheidsvoorschriften



- In geval van aansluiting op stroomvoorziening vanaf de wal moet deze aansluiting worden geaard en aangesloten via een aardlekschakelaar, één en ander met het doel om het risico voor persoonlijk letsel te voorkomen. Beschadigde of niet geïsoleerde bedrading naar de walaansluiting nimmer aanraken. **Levensgevaar!**




- Ingrepen in het koelmiddelcircuit zijn absoluut niet toegestaan.
- Koelmiddel mag niet aan de buitenlucht worden vrijgegeven.
- Zorg ervoor dat het ventilatiesysteem van de koeleenheid niet wordt geblokkeerd.
- Monteer de koelkast niet in de directe nabijheid van een warmtebron zoals gasfornuizen, straalkachels, radiatoren etc.
- Monteer de koelkast droog en beschermd tegen spattend water.
- Het is niet toegestaan om een acculader direct op de koeleenheid aan te sluiten. Een acculader moet altijd op de accu worden aangesloten.
- Behalve accuzuur kan een pas geladen accu ook explosief gas bevatten. **Gevaarlijk!**
- Bewaar geen spuitbussen met licht ontvlambaar drijfgas.
- Reparaties aan het koelmiddelsysteem van de koelkast mag alleen door een hiertoe bevoegd personeel worden gedaan.

1.3 Milieu

Dit product is gemerkt volgens EU richtlijn 2002/96/EEC aangaande elektrisch en elektronisch afval (Waste Electrical and Electronic Equipment, WEEE).

Door een correcte verscroting van dit product te waarborgen, worden potentiële negatieve gevolgen voor het milieu en onze gezondheid voorkomen, welke anders het gevolg zouden kunnen zijn in het product niet op de juiste manier wordt gehanteerd.



Het symbool  op het product, op de verpakking of in de bijgevoegde documentatie, geeft aan dat dit product niet als gewoon huisvuil mag worden behandeld. Het moet voor recycling van elektrische en elektronische uitrusting bij een geschikt milieustation worden ingeleverd. Het product moet worden verscroot volgens de plaatselijke milieubepalingen voor afvalverwerking.

Voor meer informatie over verwerking, recycling en hergebruik van dit product dient u contact op te nemen met de plaatselijke overheid, de gemeentelijke afvalcentrale of de winkel/het bedrijf waar u het product heeft gekocht. Deze verpakking is gemaakt om de koelkast en de componenten ervan tijdens transport te beschermen. De verpakking is gemaakt van vernieuwbaar materiaal. De verpakking is gemerkt met recyclingsymbolen en al het verpakkingsmateriaal dient bij een milieucentrale te worden ingeleverd.



2. Gebruiksaanwijzing

De koelkasten zijn in twee versies verkrijgbaar, standaard met een mechanische thermostaat en als optie met ASU. CR 42 en CR INOX zijn niet verkrijgbaar met de ASU optie. Deze worden apart behandeld in onderstaande beschrijving van de temperatuurregeling. De koelkasten zijn bedoeld voor gebruik in omgevingstemperaturen tussen 0°C en +45°C.

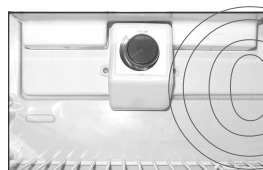
2.1 Temperatuurregeling met thermostaat

De temperatuur in de koelkast kan traploos worden geregeld met behulp van de thermostaat met een uitschakelfunctie in de linksom gedraaide eindstand. Voor uitschakeling moet met de draaiknop een duidelijke weerstand worden waargenomen. De thermostaatknop zit in het van toepassing zijnde type koelkast volgens onderstaande afbeeldingen. De temperatuur wordt als volgt ingesteld:

De temperatuur wordt als volgt ingesteld:

Draai de thermostaat rechtsom voor meer koeling en linksom voor minder koeling.

Het wordt aanbevolen om een temperatuur van 5-6°C aan te houden. De omgevingstemperatuur is van invloed op de temperatuur in de koelkast. Om deze reden kan het moeilijk zijn om de juiste temperatuur te handhaven wanneer de koelkast wordt blootgesteld aan verwarming en direct zonlicht.



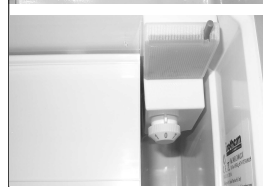
Plaatsing thermostaat in CR 42, op de achterwand onder het koelvak.



Plaatsing thermostaat in CR 49, op achterste horizontale wand rechts van het koelvak



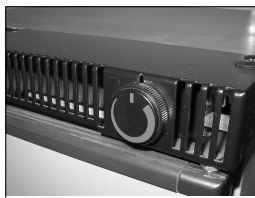
Plaatsing thermostaat in CR 65, op achterwand rechts van het koelvak.



Alternatieve plaatsing thermostaat in CR 49 en CR 65, in verlichtingsarmatuur.



Plaatsing thermostaat in CR 85 en CR 130, rechts van het koelvak achter de verlichting.



Plaatsing thermostaat in CR 100, aan rechterzijde in ventilatierooster boven de deur.



Plaatsing thermostaat CR 130 Drink, in verlichtingsarmatuur.

2.2 Temperatuurregeling ASU

Een Isotherm koelkast met ASU kan op twee manier worden ingesteld. In de stand "NORMAL.AUTO" wordt automatisch een optimale temperatuur in de koelkast gehandhaafd met absoluut minimale belasting van de accu's. In de stand "MAN.TEMP" wordt de automatische regeling gedeeltelijk buiten werking gezet en kan de temperatuur naar wens worden ingesteld. In de middenstand staat de koelkast uit. Het bedieningspaneel moet op een gemakkelijk toegankelijke plaats worden gemonteerd. De bedrading naar het paneel is 4 m lang en achter het paneel moet een gat van 12 mm voor doorvoer van bedrading en contact worden geboord.



Stand NORMAL.AUTO

Het groene lampje gaat meteen branden en geeft aan dat de stroomtoevoer is aangesloten en het onderstaande koelprogramma wordt ingeschakeld:

Wanneer de motor loopt en de spanning van het elektrische systeem gemeten in de stureenheid meer dan 13,2 (26,4) volt bedraagt, dan start de compressor en werkt om het koelmagazijn te bevriezen en te "laden". De compressor start binnen 30 seconden en draait in het begin op laag toerental en het gele lampje "Economy" gaat branden. Na ca. 30 seconden loopt het toerental van de compressor en de koelventilator op tot 75% van het totale toerental en zal het rode lampje "Freeze" gaan branden. Het gele lampje gaat nu uit. Zo zal de compressor blijven werken tot het koelmagazijn helemaal vol is bij ca. -14°C, gemeten in het koelmagazijn. Dit duurt ca. 35 tot 30 minuten afhankelijk van de omgevingstemperatuur, de temperatuur in de koelkast tijdens start en de grootte van de koelkast. Daarna stopt de compressor, het rode lampje gaat uit en de compressor zal niet eerder starten voordat de temperatuur van het koelmagazijn is opgelopen tot ca. -10°C.

Indien de motor stopt, zal ook de compressor kort daarna stoppen wanneer de spanning is teruggelopen tot 12,7 (25,4) Volt. Wanneer de motor niet draait en de spanning lager is dan 12,7 (25,4) Volt wordt in eerste instantie de opgeslagen koelte in het koelmagazijn gebruikt. Pas wanneer deze koelte is verbruikt wordt de compressor weer ingeschakeld, en loopt dan allereerst op lage toeren met het gele lampje "Economy" om de koeling in de koelkast te onderhouden. De compressor start in deze stand bij -1°C en stopt bij -6° in het koelmagazijn

Stand MAN.TEMP

Deze stand kan worden gebruikt wanneer het niet nodig is om de voorkeur te geven aan een zo laag mogelijk stroomverbruik en de boot aan wal ligt, van zonnepanelen gebruik maakt of wanneer het om een andere reden wenselijk is om een koudere of warmere temperatuur te handhaven. De stuurseenheid wordt in dit geval gedeeltelijk uitgeschakeld en kan de temperatuur worden geregeld met de draaiknop op het bedieningspaneel. Bij de markering A passeert de knop een temperatuurinstelling voor "Accumulering" in het koelmagazijn. Wanneer de compressor in deze stand start om de ingestelde temperatuur te handhaven, draait deze in eerste instantie op een zo laag mogelijk toerental, aangezien een laag geluidsniveau de prioriteit heeft wanneer de motor niet loopt. Indien het verschil tussen ingestelde temperatuur en werkelijke temperatuur meer dan 6°C bedraagt, zal de compressor automatisch sneller gaan draaien om de temperatuur te laten dalen tot gewenst niveau. Zodra deze extra capaciteit niet langer nodig is zal het toerental weer teruglopen om een zo laag mogelijk stroomverbruik te krijgen. Dit automatische extra vermogen is vooral goed wanneer er nieuwe voorraad in de koelkast is gelegd.

Signalen op paneel

Vast groen:

Koelkast aan, krijgt stroom, compressor staat stil.

Vast groen + geel:

Compressor draait binnen het hoge temperatuurbereik. Lage spanning.

Vast groen + rood:

Compressor draait binnen het lage temperatuurbereik. Hoge spanning.

Vast groen + geel + rood:

Compressor draait op laagst benodigd toerental om de ingestelde temperatuur in de stand MAN.TEMP te bereiken.

Knipperend geel + rood:

Storingmelding vanaf ASU stuurseenheid. Herhaalde startpoging na 1 minuut. De ASU stuurseenheid ontvangt geen antwoordsignaal vanaf de zwarte stuurseenheid tijdens starten.

Knipperend geel:

De accuschakelaar is aangesproken bij 10,0/20,0 volt en heeft de compressor uitgeschakeld. Laad de accu's door de motor te starten of sluit een acculader aan. De compressor zal bij 12,0/24,0 volt automatisch herstarten.

2.3 Tips voor gebruik

- Het vriesvak is bedoeld voor het bewaren van bevroren waren gedurende een korte periode, het heeft geen capaciteit voor invriezen.
- Zet de koelkast indien mogelijk ca. 6 uur voordat er iets moet worden ingestopt al aan.
- Aanmaak van ijsblokjes. Zet het bakje tegen de verdamper aan en leg er niet bovenop. Voor een snellere aanmaak van ijs kan de thermostaat op maximale koeling worden gezet.
- Zet de levensmiddelen zodanig in de koelkast dat de lucht kan blijven circuleren.
- Bedek de rekken niet met plastic, papier, etc.
- Om ijsaanslag tegen te gaan, wordt aanbevolen om vloeistof niet open in de koelkast te zetten.
- Laat warme levensmiddelen en koopwaar afkoelen voordat het in de koelkast wordt gezet.

2.4 Ontdooien

Aangezien de verdamper werkt bij temperaturen onder het vriespunt zal er rijp- en ijsaanslag op de verdamper komen. Luchtvochtigheid, temperatuur en het aantal keer dat de deur wordt geopend zijn in hoge mate van invloed op deze ijsvorming.

Ontdooi de koelkast regelmatig, wanneer de ijsaanslag op de verdamper 3-4 mm dik of nog dikker is geworden.

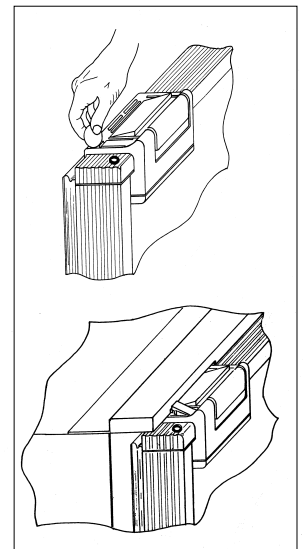
Zet de koelkast uit door de thermostaat in de 0-stand te zetten of door het ASU bedieningspaneel uit te zetten, schakelaar in middenstand. Ontdooi de koelkast bij voorkeur wanneer de mogelijkheid bestaat om de in de koelkast bewaarde levensmiddelen zo koud mogelijk buiten de koelkast weg te zetten. **Gebruik geen scherpe voorwerpen om ijs- en rijpaanslag van de verdamper te schrapen, aangezien dit beschadigingen kan veroorzaken met lekkage van koelmiddel als gevolg.** Zet de koelkast pas aan wanneer deze volledig is ontdooid, gedroogd en gereinigd. Haal de opvangbak onder de verdamper weg en laat deze leeglopen. Leg eventueel een handdoek onder in de koelkast zodat eventueel smeltwater niet naar buiten loopt.

3. Onderhoud

Isotherm Cruise koelkasten hebben een hermetisch afgesloten koelsysteem dat geen onderhoud en bijvulling van koelvloeistof vergt.

De compressor is speciaal aangepast voor mobiele toepassingen, met een bijzonder hoge werkingsgraad en een uitermate lange levensduur. Gedurende de winter kan de koelkast in de boot blijven zitten, maar de compressor kan niet worden gestart bij temperaturen rond 0°C of lager. Seizoenmatig onderhoud kan worden beperkt tot het schoonmaken van de condensor aan de achterzijde van de koelkast. Hier verzamelt zich dankzij de ventilator vrij veel stof dat moet worden verwijderd met een borstel of de stofzuiger. Gebruik hiervoor een stofzuiger en een zachte borstel. Wat de binnenzijde betreft

is het van belang om alles goed schoon te houden met behulp van lauw water en een zachte zeepoplossing. Wanneer de koelkast uit staat en tijdens de winter moet de deur in de luchtverversingsstand staan. Het deurslot heeft een haakje dat kan worden losgemaakt met een mes of een muntstuk. Dit haakje past op de bovenstrip van de kast, zodat de deur in open stand blijft staan. Verwijder het gloeilampje of verbreek de stroomtoevoer naar de koelkast, zodat het lampje geen onnodig stroomverbruik veroorzaakt.



3.1 Spanningsregelaar

Om de accu's tegen ontladen te beschermen zorgt een spanningsregelaar ervoor dat de compressor bij een te lage spanning wordt uitgeschakeld. De compressor zal pas weer starten zodra de spanning in het systeem is toegenomen door de accu bij te laden.

Systeemspanning volt	Uitschakeling volt	Inschakeling volt
12	9,6 (10,4)	10,9 (11,7)
24	21,3 (22,8)	22,7 (24,2)

Indien de jumper van de stuur eenheid tussen C en P wordt weggenomen gelden de waarden die tussen haakjes worden weergegeven.

Voor ASU koelkasten geldt als volgt:

Systeemspanning volt	Uitschakeling volt	Inschakeling volt
12	10,0	12,0
24	22,0	23,5

4 Installatievoorschriften

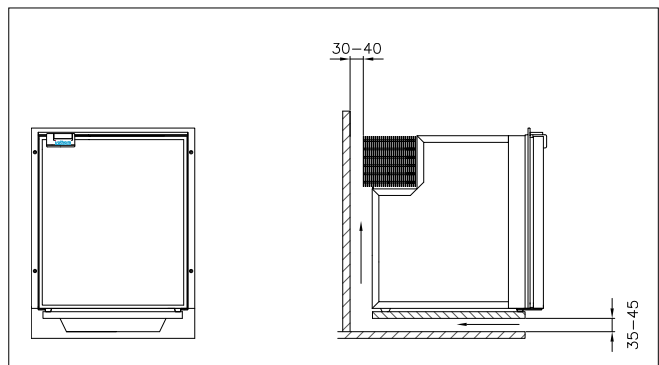
Veel boten hebben een ruimte die is bedoeld voor een koelkast. Isotherm Cruise koelkasten houden zich aan de in de handel voorkomende "standaardmaten". De koelkast moet altijd zo worden gemonteerd dat de rubberen voetjes van de compressor onderaan komen. De compressor is bestand tegen hellingshoeken van 30° zonder te stoppen, gedurende korte periodes zelfs meer. In geval van grotere hellingen stopt de compressor maar zal weer herstarten nadat de helling is verminderd. Op model CR 42 zit de compressor op een haakse steun die van de kast kan worden losgemaakt. Deze compressor heeft ook een extra lange leiding van gemakkelijk buigbaar materiaal zodat de compressor op een afstand van ca. 1,5 meter vanaf de koelkast kan worden gemonteerd. Deze extra leiding moet uiterst voorzichtig worden behandeld, zodat deze niet knikt of in bochten plat wordt gedrukt. Monteer de koelkast niet in de directe nabijheid van een warmtebron en zorg er ook voor dat de koelkast niet kan worden blootgesteld aan direct zonlicht.

De montage van koelkasten zonder standaard montageframe kan worden vereenvoudigd door speciale montagerails (verkrijgbaar als accessoire) te gebruiken. De koelkast moet altijd op de rubberen voetjes worden geplaatst en op z'n plek worden gehouden door middel van het montageframe alternatief montagerails, of andere bevestigingen die kunnen worden vastgeschroefd. De CR 49 en CR 65 hebben standaard een driezijdig montageframe. Alle overige modellen hebben montagerails als accessoire, welke aan beide zijden van de koelkast worden vastgezet. Indien het gebruik van montagerails niet mogelijk is, dan moet de koelkast zodanig in positie worden geblokkeerd dat deze niet kan kantelen of naar voren glijden wanneer de deur wordt geopend of tijdens zware zee. CR INOX koelkasten worden op dezelfde manier gemonteerd en hebben allemaal een montageframe voor flushmontage.

4.1 Ventilatie

Het is van groot belang dat de ventilatie van de compressor/condensor aan achterzijde van de koelkast goed is, zodat er zowel lucht vanaf de onderzijde langs de achterkant van de koelkast kan stromen en dat de verwarmde lucht naar boven toe kan wegstromen.

De natuurlijke luchtstroom vanaf de onderzijde kan aanzienlijk worden verbeterd door op geschikte plaatsen ventilatieopeningen aan te brengen. De geschikte grootte van deze openingen is 100-150 cm². Zie onderstaande afbeelding voor een principe voor goede ventilatie.



4.2 Deurpaneel

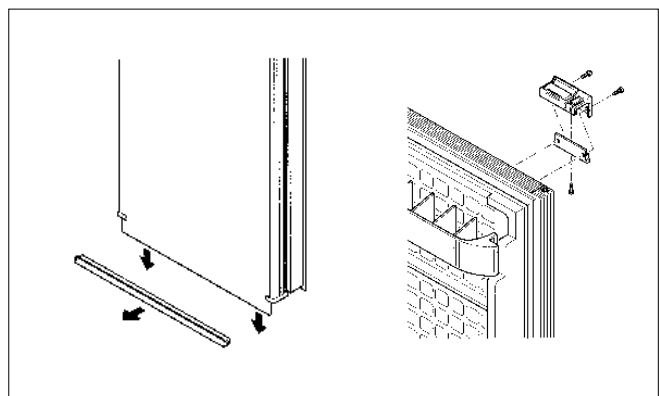
CR koelkasten zijn standaard uitgerust met een grijs deurpaneel. Als optie zijn deurpanelen van teak, mahonie, kersen en wit verkrijgbaar.

De modellen CR 42, 49 en 65 zijn ook verkrijgbaar in een versie met geheel witte deur en een roestvrijstalen montageframe.

De INOX modellen hebben een deur met roestvrijstalen paneel dat niet kan worden verwisseld+.

Een extra deurpaneel wordt bovenop het aanwezige grijze paneel gemonteerd. Maak de onderste metalen strip van de deur los, trek de strip recht naar achteren toe los en maak ook het deurslot los. Dit slot zit met drie schroefjes vast. Zie fig.

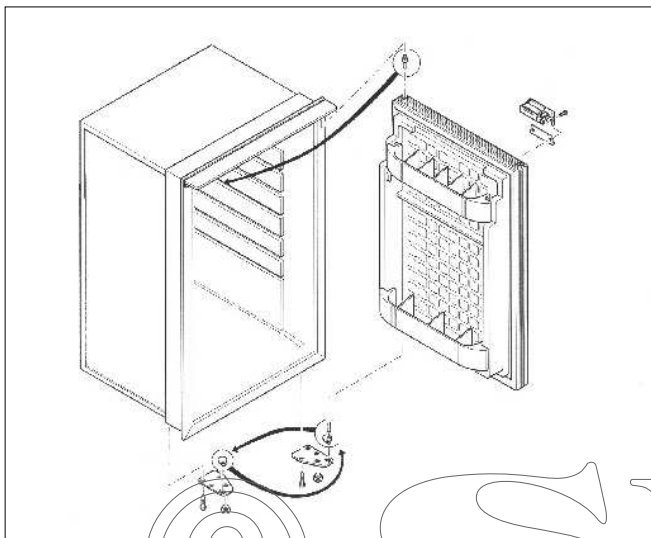
Schuf het nieuwe paneel over het grijze en duw het goed onder de rand van de bovenste strip. Druk daarna de onderste strip met handkracht weer in positie. Monteer het slot.



4.3 Deur verhangen

De deur van de koelkast opent standaard naar rechts. De deur kan ook andersom worden gehangen door het bovenste en onderste scharnier aan de andere te bevestigen. Het deurslot van de deur moet in het gegeven geval ook aan de andere kant worden gezet. Het onderste scharnier van een CR 42 is zodanig uitgevoerd dat kan worden volstaan met verplaatsing van de kunststof onderdelen en de scharnierpen. Aan bovenzijde moet de pen die aan de bovenlijst is gemonteerd, naar de andere kant worden verplaatst.

Bij een CR 49, 65, 85 130 moeten zowel het bovenste als het onderste scharnier naar de andere kant worden verplaatst, onderaan verwisselen ze van plaats met de deursteun. Bij een CR 100 moet de bovenste scharnierpen in het ventilatierooster naar de andere kant worden verplaatst en de onderste scharnierdelen wisselen van plaats. Bij een CR INOX tot afmeting CR 85 INOX kan de deur ook aan de andere kant worden gehangen, deze modellen hebben dezelfde deur voor rechts en links. Het bovenste en onderste scharnier moeten naar de andere kant worden verplaatst. Bij een CR 130 INOX kan de bestaande deur niet aan de andere kant worden gehangen, want deze deur heeft het slot aan de zijkant. Deze deur is in linkse of rechtse uitvoering verkrijgbaar. Zie fig.



4.4 Elektrische aansluiting

Voor aansluiting op het elektrische systeem van de boot is het van belang om onderstaande punten in acht te nemen:

- Gebruik altijd een ruimschoots voldoende draaddikte, zie aanbevelingen in onderstaande tabel.
- Gebruik altijd een veeldradige koper- of een vertinde koperkabel voor gebruik in maritiem milieu.
- Sluit de koelkast direct op de accu of op de hoofdschakelaar hiervan. Vermijd omwegen via de elektrische centrale van de boot, aangezien dit tot spanningsverlies kan leiden.
- De koelkast moet worden gezekerd met zekeringen van 15A voor 12 volt c.q. 7.5A voor 24 volt.
- Sluit de rode plusdraad op de pluszijde van het elektrische systeem aan en de zwarte op de minzijde. Gebruik het juiste type kabelschoen voor de gekozen draaddikte.
- Indien er voor de koelkast een aparte schakelaar in het systeem is voorzien, dient deze tegen een belasting van 15A bestand te zijn.

De koelkast mag zonder parallel aangesloten accu niet direct op een acculader worden aangesloten.

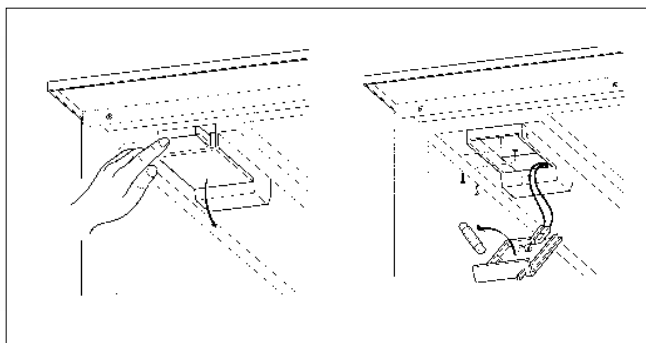
4.5 Afmetingen bedrading

Draaddikte mm ²	Max. kabellengte in meter 12V	Max. kabellengte in meter 24V
2,5	2,5	5
4	4	8
6	6	12

4.6 Binnenverlichting

Alle koelkasten behalve de CR 42, CR 42 INOX en de CR 100 hebben een binnenverlichting bovenin de koelkast. Zorg ervoor dat het lampje goed zit, 12 of 24 volt afhankelijk van de systeemspanning naar de koelkast. Zowel 12 als 24 volt lampjes zijn bij de koelkast inbegrepen. Max. 3 W lampjes mogen worden gebruikt.

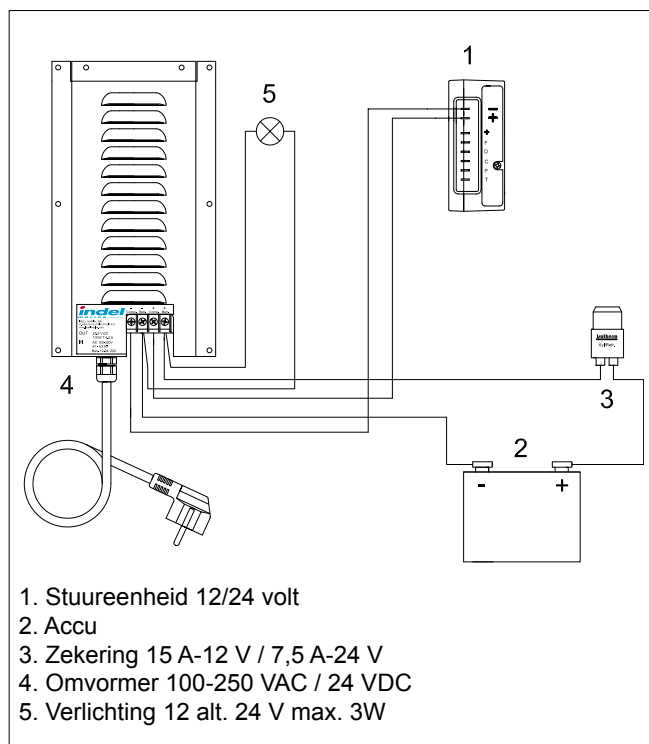
Voor vervanging het glas van het armatuur naar beneden drukken met behulp van het drukstangetje. Verwissel het lampje en druk de verlichtingarmatuur weer in positie. Zie fig.



4.7 Bedrijf met omvormer

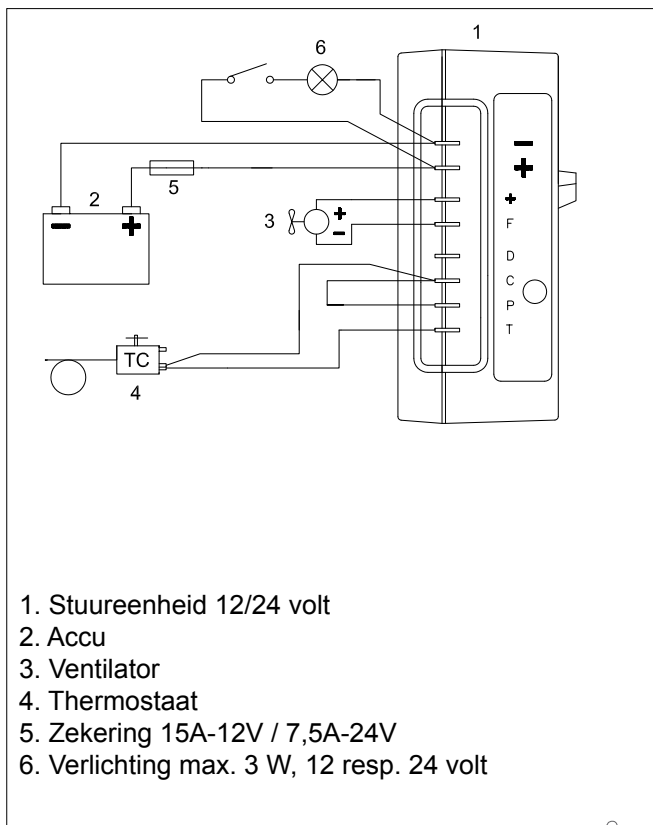
Als accessoire is een omvormer verkrijgbaar voor montage op of naast de koelkast voor bedrijf vanaf het normale stroomnet. Deze omvormer geeft de prioriteit aan het stroomnet en schakelt automatisch op de accu over wanneer het stroomnet niet langer toegankelijk is. Deze omvormer moet altijd met een geaarde stekker op het stroomnet worden aangesloten.

Aansluitschema

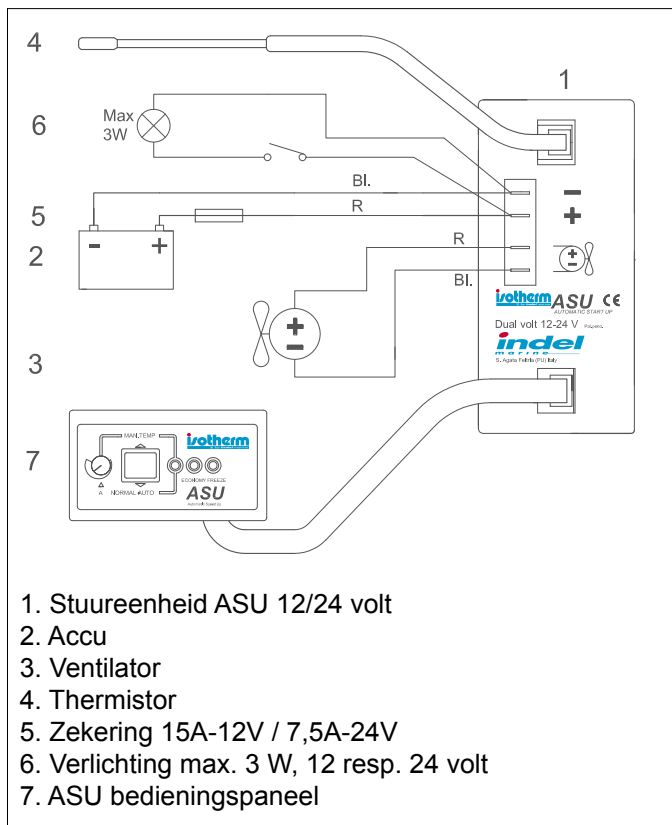


4.8 Bedradingschema

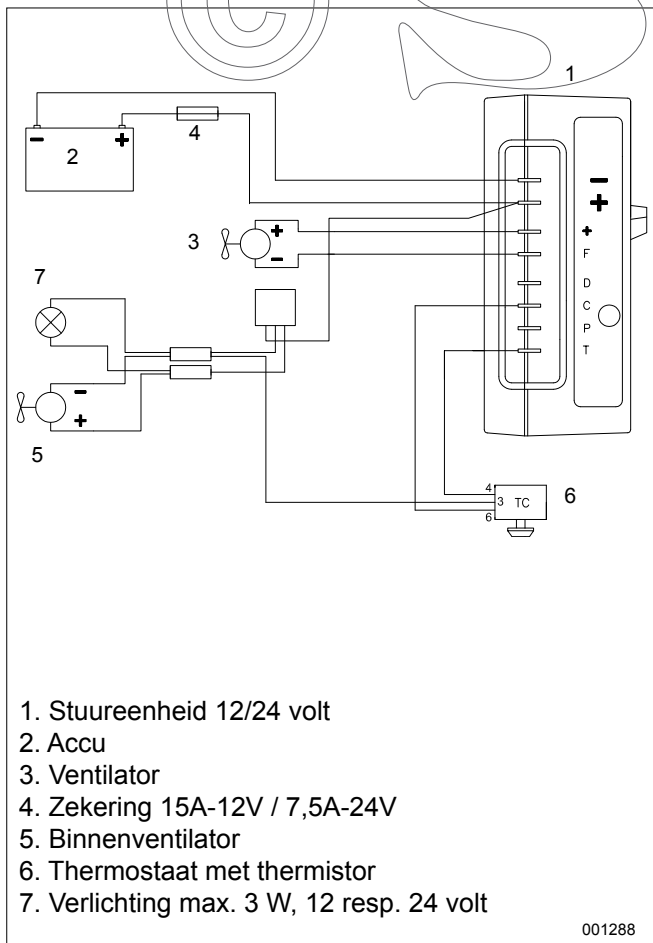
Koelkast met standaard thermostaat



Koelkast ASU

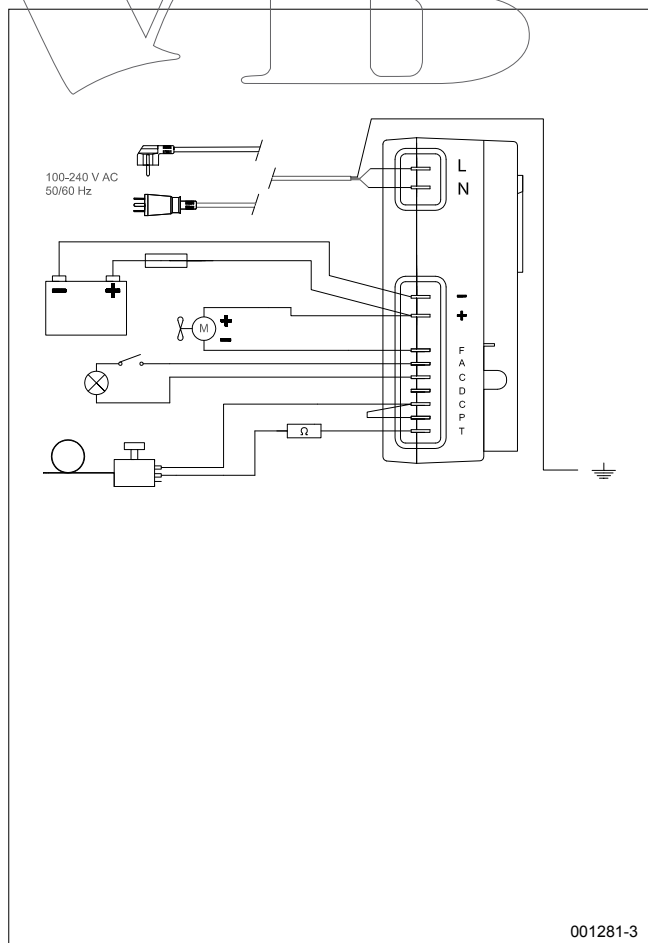


Koelkast CR 130 Drink



001288

AC/DC 100-240V / 12-24V



001281-3

5 Technische gegevens

Bedrijfsspanning:	12 alt. 24 volt DC
Stroomverbruik, compressor in bedrijf:	CR 42, 49 en 65: 2,5 - 2,7 A bij 12 V (helpt bij 24 V) CR 85 en 100: 3,8 - 4 A bij 12 V CR 130: 4,7 - 5 A bij 12 V CR 130 Drink: 5 - 5,3 A bij 12 V
Doorsnee verbruik:	CR 42 en 49: 0,6 A bij 12 V CR 65: 0,7 A bij 12 V CR 85: 0,8 A bij 12 V CR 100: 1,0 A bij 12 V CR 130: 1,2 A bij 12 V CR 130 Drink: 1,4 A bij 12 V

Doorsnee verbruik gemeten bij +6° in koelruimte en 22°C omgevingstemperatuur.

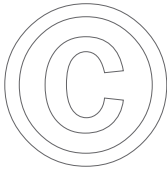

Het doorsnee verbruik wordt vooral beïnvloed door de manier waarop de koelkast wordt gebruikt en de uitvoering van de ventilatie.

Compressor:	Danfoss BD35F
Koelmiddel:	R134a, vullingsomvang staat vermeld op typeplaatje van de koelkast.
Zekering:	Gezekerd met: 15 A -12 volt resp. 7,5 A - 24 volt

Deze koelkasten voldoen aan de eisen van de EMC richtlijn en zijn voorzien van het CE-keurmerk.



6 Storingzoeken

Storing	Mogelijke oorzaak	Maatregel
Koelkast wordt niet koud, compressor start niet. 	Geen stroomtoevoer. Accu's in slechte staat. Defecte thermostaat. Defect in stuurseenheid. 	Controleer de stroomtoevoer naar de stuurseenheid en of de spanning voldoende is, controleer de zekering. Wanneer de binnenverlichting werkt, wordt ook de compressor van stroom voorzien. Controleer bedrading, kabelschoentjes en aansluitblokken. Controleer of de accu's worden bijgeladen. Controleer thermostaat: Verbind T – C met apart snoer, als de compressor niet start is de stuurseenheid waarschijnlijk defect. Zo ja, vervangen. Indien de compressor met deze doorverbinding wel start, dan is waarschijnlijk de thermostaat defect. Vervang de thermostaat.
Compressor doet slechts korte startpogingen.	Onvoldoende spanning, spanningsverlies tijdens starten activeert de spanningsregelaar. Accu's ontladen.	Controleer bedrading en aansluitingen, indien nodig roest en aanslag verwijderen. Laad de accu's, laat de motor lopen of sluit een acculader aan.
Compressor werkt maar geeft geen koeling.	Koelmiddelverlies, lekkage in leiding of verdamper. Leiding verstopt.	Voer een lektest uit en repareer eventuele lekkage, daarna vacuümzuigen en vullen met juiste hoeveelheid koelmiddel R134a. (Dit moet door een vakman worden gedaan)
Compressor draait gedurende lange tijd, maar geeft weinig koeling, zwak effect.	Slechte ventilatie, condensator wordt warm. Ventilator draait niet. Te veel rijp/ijsaanslag op verdamper. Koelkastdeur sluit niet goed, laat warme vochtige lucht naar binnen. Condensator bedekt met stof.	Verbeter de ventilatie. Ventilator vervangen. Ontdooien. Verbeter de het sluiten van de deur en controleer de deurafdichting. Condensator reinigen.
Zekering brandt door.	Verkeerde zekering. Defecte stuurseenheid.	Controleer de zekering 15 A-12 V / 7,5 A-24 V Vervang de stuurseenheid.

In geval van ernstige storingen waarvoor een specialist nodig is, verzoeken wij u om contact op te nemen met Indel Webasto Marine S.r.l. in Italië of de plaatselijke leverancier voor Isotherm koelkasten.

7 Installatieafmetingen

CR koelkasten

	B *	H *	D1	D2	D3
CR 42	380	525	319	40	165

*) BxH = dagafmetingen, minimum afmeting

	B *	H *	D1	D2
CR 49	380	525	470	40
CR 65	450	530	500	40
CR 85	475	625	515	40
CR 100	485	745	455	40
CR130	525	745	505	40

*) BxH = dagafmetingen, minimum afmeting

Meer gedetailleerde tekeningen vindt u op www.indelwebastomarine.com

CR INOX koelkasten

	B *	H *	D1	D3
CR 42 INOX	400	530	515	165

*) BxH = dagafmetingen, minimum afmeting

	B *	H *	D1
CR 49 INOX	400	530	510
CR 65 INOX	470	530	540
CR 85 INOX	495	625	555
CR 130 INOX	545	755	545

*) BxH = dagafmetingen, minimum afmeting

Meer gedetailleerde tekeningen vindt u op www.indelwebastomarine.com

Sisältö

1 Johdanto

1.1 Yleistä

1.2 Turvaohjeet

1.3 Ympäristö

2 Käyttöohjeet

2.1 Lämpötilansäätö termostaatilla

2.2 Lämpötilansäätö ASU-elektronikalla

2.3 Käyttövihjeitä

2.4 Sulatus

3 Kunnossapito

3.1 Jännitevahti

4 Asennusohjeet

4.1 Ilmanvaihto

4.2 Ovipaneeli

4.3 Oven kätisyys

4.4 Sähköliitäntä

4.5 Sähköjohtojen mitoitus

4.6 Sisävalo

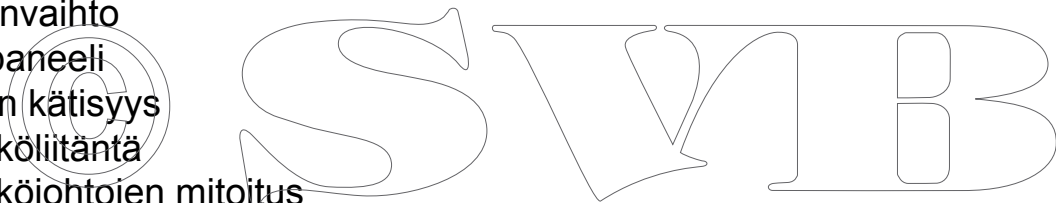
4.7 Käyttö taajuudenmuuttajalla

4.8 Sähkökaavio

5 Tekniset tiedot

6 Vianetsintä

7 Asennusmitat



1. Johdanto

1.1 Yleistä

Isotherm-venejääkaapit on suunniteltu venekäytössä tarvittavien korkeiden suorituskyky- ja rakennevaatimusten mukaan. Jääkaapeissa on nykyaikainen, täysin vuotamaton hermeettinen kompressori, jonka virrankulutus on mahdollisimman pieni ja äänitaso erittäin hiljainen. Jääkaappien asennus on yksinkertaista. Ne sietävät jopa 30 asteen kallistuksen, tilapäisesti enemmänkin. Moitteettoman toiminnan kannalta on tärkeää ottaa huomioon seuraavat asiat:

- Tarpeeton jääkaapilla ”juoksu”. Se lisää virrankulutusta.
 - Kompressorin ja lauhtuttimen hyvällä ilmanvaihdolla on myös suuri vaikutus virrankulutukseen.
 - Sähköjärjestelmän tulee olla hyvässä kunnossa. Tarkasta akut ja lataus säännöllisesti. Moottorilla on aina oltava oma erillinen käynnistysakku. Noudata johtojen mitoituksen ja sulakkeen osalta tarkasti ohjeita.
 - Pidä jääkaappi puhtaana ja kuivana. Tyhjennä kondenssivesi, jota kerääntyy jääkaapin pakastelokeron alla olevaan tippa-altaaseen.
 - Jätä ovi aina raolleen tuuletusta varten, kun jääkaappi on pois käytössä pitempiä ja lyhyempiä aikoja.
- (Ks. kuvat 1 ja 2).
- Puhdista kaappi sisältä miedolla pesuaineella ja haalealla vedellä ennen kaapin käyttöönottoa.

Jääkaapit on varustettu luukullisella pakastelokerolla, joka sijaitsee kaapin yläosassa. Se on tarkoitettu pakasteiden säilyttämiseen lyhyitä aikoja, enint. 4-5 päivää, eikä se jäähydy riittävän kylmäksi pakastamiseen. Pakastelokerossa voidaan kuitenkin tehdä jäätä jääpalalokerikon avulla.

CR 130 Drink ei ole varustettu pakastelokerolla. Malleista CR 49, 65, 85 ja 130 on myös INOX-versio. Niissä oven ulkopinta on ruostumatonta levyä, ja pinta-asennukseen tarkoitettu 3-sivuinen ruostumaton kiinnityskehys, jolloin saadaan täysin tasainen etupuoli, sekä toisenlainen ruostumaton, vahva ovilukko. Myös sisäpuolella tietyt yksityiskohdat ovat ruostumatonta materiaalia.

1.2 Turvamääräykset



- Verkkovirtaan liitettäessä virransyötön tulee olla suojamaadoitettu ja kytketty maasulkukytkimen kautta, muutoin on olemassa suuri henkilövahinkojen vaara. Älä kosketa mitään vahingoittuneita tai eristämättömiä johtoja, jotka on liitetty verkkovirtaan.

Hengenvaara!



- Kylmäainepeiriin ei missään nimessä pidä kajota.
- Kylmäainetta ei saa päästää ilmaan.
- Jäähdytysjärjestelmän ilmanvaihtoa ei saa estää.
- Jääkaappia ei saa asentaa lämmönlähteen, kuten kaasuhellan, lämmittimen, lämpöpatterin ym. läheisyyteen.
- Jääkaappi on asennettava kuivaan paikkaan suojaan vesiroiskeilta.
- Akkulatoria ei saa liittää suoraan jäähdytysjärjestelmään. Akkulatori on liitettävä akkuun.
- Akkuhapon lisäksi juuri ladattu akku voi sisältää myös räjähtävää kaasua. **Vaara!**
- Jääkaappiin ei saa laittaa spraypurkkeja, jotka sisältävät tulenarkaa ponnekaasua.
- Jääkaapin kylmäainejärjestelmän saa korjata ainoastaan valtuutettu huoltoliike.


1.3 Ympäristö

Tämä tuote on merkitty sähkö- ja elektroniikkalaitteiden kierrätystä (WEEE) koskevan EY-direktiivin 2002/96/ETY mukaan.

Tuotteen asianmukainen hävittäminen auttaa estämään mahdollisia kielteisiä seuraamuksia ympäristöllemme ja terveydellemme, mikä muutoin voi olla seurauksena, jos tuotetta ei käsitellä oikealla tavalla.

Tuotteessa, pakkauksessa tai mukana toimitetussa



dokumentaatioissa oleva symboli  osoittaa, että tätä tuotetta ei saa käsitellä tavallisen kotitalousjätteen tavoin. Se on toimitettava sähkö- ja elektroniikkalaitteiden kierrätykseen tarkoitettuun keräyspisteeseen. Tuote on hävitettävä jätteidenkäsittelyä koskevien ympäristömääräysten mukaan.

Lisätietoa tuotteen käsittelystä, kierrätyksestä ja uudelleenkäytöstä on saatavissa paikallisilta viranomaisilta, paikkakunnan jätehuollosta tai liikkeestä/yrityksestä, josta tuote on hankittu. Pakkaus suojaa jääkaappia ja sen komponentteja kuljetuksen aikana ja se on tehty kierrätettävästä materiaalista. Se on merkitty kierrätysmerkinnöin, ja pakkausmateriaali on toimitettava kierrätyspisteeseen.



2. Käyttöohjeet

Jääkaapista on kaksi mallia, vakiomalli varustettuna mekaanisella termostaatilla ja valinnaismalli varustettuna ASU-elektronikalla. Malleista CR 42 ja CR INOX ei ole saatavissa ASU-versiota. Näitä kumpaakin käsitellään erikseen lämpötilansäätöä koskevassa kuvauksessa. Jääkaappi on tarkoitettu käytettäväksi 0 ... +45 °C:n ympäristölämpötilassa.

2.1 Lämpötilansäätö termostaatilla

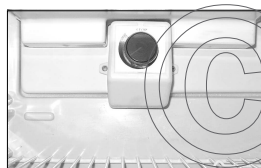
Termostaatilla säädetään jääkaapin lämpötilaa portaattomasti, ja lisäksi ääriasennossa vastapäivään käännettynä siinä on poiskytkentätoiminto. Poiskytkennän yhteydessä säädin pitää kääntää selvästi tuntevan vastuksen yli. Termostaattisäädin sijaitsee kussakin jääkaapissa alla olevien kuvien mukaisesti.

Lämpötila säädetään seuraavasti:

Termostaattia myötäpäivään käännettäessä jäähdytystila kylmenee ja vastapäivään käännettäessä lämpenee.

Jääkaapin sisälämpötilaksi suositellaan 5-6 °C.

Ympäristön lämpötila vaikuttaa kaapin sisälämpötilaan, minkä vuoksi oikean lämpötilan ylläpitäminen voi olla vaikeaa, jos kaappi on liian lämpimässä ja suorassa auringonvalossa.



CR 42-mallissa termostaatti sijaitsee takaseinässä pakastelokeron alla.



CR 49-mallissa termostaatti sijaitsee taaemmassa vaakaseinämissä pakastelokeron oikealla puolella.



CR 65-mallissa termostaatti sijaitsee takaseinässä pakastelokeron oikealla puolella.



CR 49:ssä ja CR 65:ssä termostaatin vaihtoehtoinen sijainti on valaisimen yhteydessä.



CR 85 ja CR130-malleissa termostaatti sijaitsee pakastelokeron oikealla puolella valaisimen takana.



CR 100-mallissa termostaatti sijaitsee ilmanvaihtoritilän oikealla puolella oven yläpuolella.



CR 130 Drink -mallissa termostaatti sijaitsee valaisimen yhteydessä.

2.2 Lämpötilansäätö ASU-elektronikalla

ASU-elektronikalla varustettuja Isotherm-jääkaappeja voidaan käyttää kahdella tavalla. "NORMAL.AUTO"-asennossa jääkaappiin saadaan automaattisesti optimilämpötila akkujen pienimmällä kuormituksella. "MAN.TEMP"-asennossa automatiikka kytkeytyy osittain pois päältä ja lämpötila voidaan säätää halutuksi. Keski-asennossa jääkaappi on pois päältä. Ohjauspaneeli sijoitetaan paikkaan, jossa se on helposti nähtävissä ja käytettävissä. Paneeliin menevä ohjausjohto on 4 m pitkä ja paneelin taakse on porattava 12 mm reikä, jonka läpi johto viedään koskettimeen.



NORMAL.AUTO-asento

Vihreä valo syttyy välittömästi osoittamaan, että virta on kytketty ja jäähdytysohjelma kytkeytyy päälle: Kun moottori käy ja elektronikkayksiköstä mitattu sähköjärjestelmän jännite on yli 13,2 V (26,3), kompressori käynnistyy jäähdyttämään ja "lataamaan" kylmävaraajaa. Kompressori käynnistyy 30 sekunnissa ja käy alkuun pienellä nopeudella keltaisen "Economy"-valon palaessa. Noin 30 sekunnin kuluttua kompressorin ja jäähdytyspuhaltimen nopeus kasvaa 75 % ja punainen "Freeze"-valo syttyy ja keltainen sammuu. Kompressori jatkaa käyntiään näin, kunnes kylmävaraajassa on n. -14 °C kylmävaraajasta mitattuna. Tämä vie n. 35 – 50 minuuttia riippuen ympäristön lämpötilasta, kaapissa olevasta lämpötilasta käynnistyksen yhteydessä ja jääkaapin koosta. Tämän jälkeen kompressori pysähtyy, punainen valo sammuu ja kompressori käynnistyy vasta sitten, kun kylmävaraajan lämpötila on kohonnut n. -10 °C:een.

Jos moottori pysähtyy, pysähtyy myös kompressori heti sen jälkeen kun jännite laskee alle 12,7 V (25,4). Kun moottori ei käy ja jännite on alle 12,7 V (25,4), käytetään aina ensi sijassa kylmävaraajaan varastoitua kylmää. Vasta kun se on käytetty, kompressori käynnistyy uudelleen ja käy pääasiallisesti pienellä nopeudella keltainen "Economy"-valo palaen pitääkseen jäähdytystä yllä. Tässä asennossa se käynnistyy kylmävaraajan ollessa -1 °C ja pysähtyy kylmävaraajan ollessa -6 °C.

MAN.TEMP-asento

Tätä asentoa voidaan käyttää silloin, kun pienin virrankulutus ei ole etusijalla ja kun on kytketty maaverkkovirtaan tai aurinkopaneeleihin, tai jääkaappi halutaan jostakin syystä saada kylmemmäksi tai lämpimämmäksi. Tällöin automatiikka on osittain pois päältä ja lämpötilaa säädetään käsin ohjauspaneelin säätimellä. A-merkin kohdalla kylmävaraajan lämpötila siirtyy "Varaamiseen". Kun kompressori tässä asennossa käynnistyy pitääkseen yllä säädettyä lämpötilaa, se käy pääasiassa pienellä nopeudella, sillä pyrkimyksenä on matala äänitaso moottorin ollessa pysähdyksissä. Jos kuitenkin säädetyn ja todellisen lämpötilan ero on yli 6°, kompressori nostaa automaattisesti käyntinopeuttaan saadakseen lämpötilan nopeammin halutulle tasolle. Heti kun tätä ylimääräistä tehoa ei enää tarvita, käyntinopeus muuttuu jälleen, jotta saadaan mahdollisimman pieni virrankulutus. Tämä automaattinen ja ylimääräinen teho on hyvä silloin, kun kaappiin lisätään uusia lämpimiä ruokatarvikkeita.

Ohjauspaneelin merkkivalot

Jatkuva vihreä:

Jääkaappi on päällä, saa virtaa, kompressori on seis.

Jatkuva vihreä + keltainen:

Kompressori käy korkealla lämpötila-alueella. Matala jännite.

Jatkuva vihreä + punainen:

Kompressori käy matalalla lämpötila-alueella. Korkea jännite.

Jatkuva vihreä + keltainen + punainen:

Kompressori käy alimmalla tarvittavalla nopeudella saavuttaakseen säädetyn lämpötilan MAN.TEMP-asennossa.

Vilkuva keltainen + punainen:

Virhesignaali ASU-elektronikasta. Uusi käynnistys 1 minuutin kuluttua. ASU-elektronikka ei saa vastaussignaalia mustalta elektronikalta käynnistysyrityksen yhteydessä.

Vilkuva keltainen:

Akkuvahti on katkaissut virran 10,0/20,0 voltissa ja pysäyttänyt kompressorin. Lataa akut käynnistämällä moottori tai liittämällä akkulaturi järjestelmään. Kompressori käynnistyy automaattisesti 12,0/24,0 voltissa.

2.3 Käyttövihjeitä

- Pakastelokero on tarkoitettu pakasteiden säilyttämiseen lyhyitä aikoja, sen teho ei riitä pakastamiseen.
- Mikäli mahdollista, käynnistä jääkaappi n. 6 tuntia ennen kuin siihen laitetaan kylmätuotteita.
- Kun teet jääkuutioita, aseta lokerikko suoraan höyrystintä vasten äläkä laita mitään tarvikkeita lokerikon päälle. Jääkuutiot valmistuvat nopeammin, kun käännät termostaatin maksimijäähdytykselle.
- Laita tarvikkeet jääkaappiin siten, että ilma pääsee kiertämään kaapin sisällä.

- Älä peitä hyllyjä muovilla tai paperilla yms.
- Jääkaapin huurtuminen vähenee, kun laitat sinne vain suljetussa astiassa olevia nesteitä.
- Anna lämpimien ruokien jäähtyä ennen niiden laittamista jääkaappiin.

2.4 Sulatus

Koska höyrystin toimii jäätymispisteen alla olevissa lämpötiloissa, sen pinnalle muodostuu huurretta ja jäätä.

Ilmankosteus, lämpötila ja oven avaamistiheys vaikuttavat suurella määrällä huurremuodostukseen. Sulata jääkaappi säännöllisin välein, kun huurrekerros höyrystimen päällä on tullut n. 3-4 mm paksuksi. Katkaise virta jääkaapista kääntämällä termostaatti 0-asentoon tai vaihtoehtoisesti ASU-ohjauspaneelista kääntämällä virtakytkin keskiasentoon. Suorita sulatus mieluummin silloin, kun ruokatarvikkeita voidaan säilyttää mahdollisimman viileässä jääkaapin ulkopuolella. **Älä käytä mitään teräviä esineitä jään ja huurren raaputtamiseen höyrystimestä, sillä se voi vahingoittaa ja tällöin kylmäainetta voi päästä vuotamaan ulos.** Käynnistä jääkaappi vasta sitten, kun se on täysin sulanut, kuiva ja puhdas. Vedä höyrystimen alla oleva tippa-allas ulos ja tyhjennä ja kuivaa se. Laita käsipyyhe kaapin pohjalle sulatuksen ajaksi keräämään sulamisvesiä.

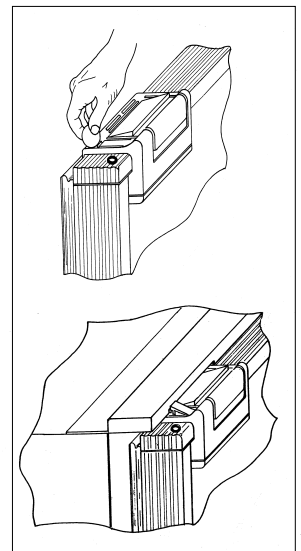
3. Kunnossapito

Isotherm Cruise -jääkaapeissa on täysin hermeettisesti suljettu jäähdytysjärjestelmä, joka ei kaipaa kunnossapitoa ja kylmäaineen lisäämistä.

Kompressori on tarkoitettu erityisesti liikkuviin käyttökohteisiin ja sen hyötysuhde on hyvin korkea ja käyttöikä erityisen pitkä.

Jääkaappi saa olla paikallaan veneessä talven, mutta kompressori ei jaksaa käynnistyä lämpötilan ollessa noin 0 °C tai sitä alempi. Kausittainen kunnossapito rajoittuu jääkaapin takana olevan lauhduttimen puhdistamiseen. Siihen kerääntyy tuulettimen kautta pölyä, joka on harjattava/ imuroitava pois. Käytä pehmeää harjaa ja pölynimuria. Sisäpuolelta kaappi puhdistetaan kunnolla haalealla vedellä ja miedolla saippualliuoksella.

Jätä ovi raolleen tuuletusta varten jääkaapin ollessa sammutettuna ja talven ajaksi. Ovilukossa on tuuletusasento, lukitushaka vapautetaan veitsellä tai kolikolla. Haka tulee kaapin ylälistaa vasten, jolloin ovi pysyy auki. Irrota hehkulamppu tai katkaise virta jääkaapista, jotta lamppu ei tarpeettomasti ota virtaa akuista.



3.1 Jännitevahti

Akkujen suojaamiseksi purkautumasta liian tyhjäksi akkuvahdi kytkee kompressorin pois päältä jännitteen ollessa liian alhainen, ja uudelleenkäynnistys tapahtuu vasta kun järjestelmän jännite on kohonnut akkujen latauduttua.

Järjestelmän jännite V	Katkaisu V	Päälle V
12	9,6 (10,4)	10,9 (11,7)
24	21,3 (22,8)	22,7 (24,2)

Jos C:n ja P:n välillä oleva hyppylanka otetaan pois elektroniikkayksiköstä, voimassa ovat suluisissa olevat arvot.

ASU-jääkaapeissa arvot ovat seuraavat:

Järjestelmän jännite V	Katkaisu V	Päälle V
12	10,0	12,0
24	22,0	23,5

4 Asennusohjeet

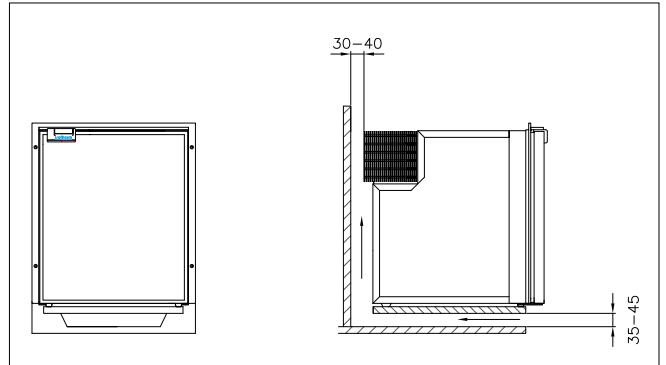
Monissa veneissä on jääkaapille tarkoitettu tila. Isotherm Cruise -jääkaappi on tavallisimmin esiintyvien "vakiomittojen" mukainen. Jääkaappi on aina asetettava vaakatasoon, jolloin kompressorin kumitassut ovat alaspäin. Kompressorin voi kallistua jopa 30° pysähtymättä, jopa enemmänkin hetken aikaa. Suuremmilla kallistuksilla kompressorin pysähtyy, mutta käynnistyy uudestaan, kun kallistus on pienentynyt. CR 42 -mallissa kompressorin on asennettu kaapista irrotettavaan kulmakannattimeen, jossa on ylimääräinen, helposti taivutettava putki, jotta kompressorin voidaan asettaa n. 1,5 m:n päähän kaapista. Putkea on käsiteltävä hyvin varovasti, jotta se ei murru tai litisty taivutettaessa. Vältä kaapin asentamista lämmönlähteen läheisyyteen ja vältä myös asentamista kaappia suoraan auringonvaloon. Jääkaapin asennusta helpottavat lisävarusteena saatavat kiinnityskiskot, joita käytetään niissä malleissa, joissa ei ole kiinnityskehystä vakiona. Jääkaapin on seisottava kumitassuillaan ja se lukitaan paikalleen kiinnityskehysten tai -kiskojen avulla. CR 49:ssä ja CR 65:ssä on vakiona kiinnityskehys kolmella sivulla. Muihin malleihin on lisävarusteena kiinnityskiskot, jotka ruuvataan kiinni kaapin kullekin sivulle. Mikäli kiinnityskiskoja ei voida käyttää, kaappi on kiinnitettävä paikalleen siten, ettei se voi kaatua tai liukua pois paikaltaan ovea avattaessa tai aallokossa. CR INOX -jääkaapit asennetaan samalla tavalla ja niissä on kaikissa kiinnityskehys pinta-asennusta varten.

4.1 Ilmanvaihto

On hyvin tärkeää, että kaapin takana oleva kompressorin/lauhdutin saa viileää ilmaa alapuolelta ja että jääkaapin takaa kulkeva lämmennyt ilma pääsee poistumaan yläpuolelta tai sivuilta.

Luonnollista ilmavirtausta alhaalta ylöspäin voidaan parantaa merkittävästi tekemällä ilmanvaihtoaukkoja sopiviin paikkoihin. Aukkojen sopiva koko on 100–150 cm².

Katso alla olevasta kuvasta hyvän ilmanvaihdon periaate.



4.2 Ovipaneeli

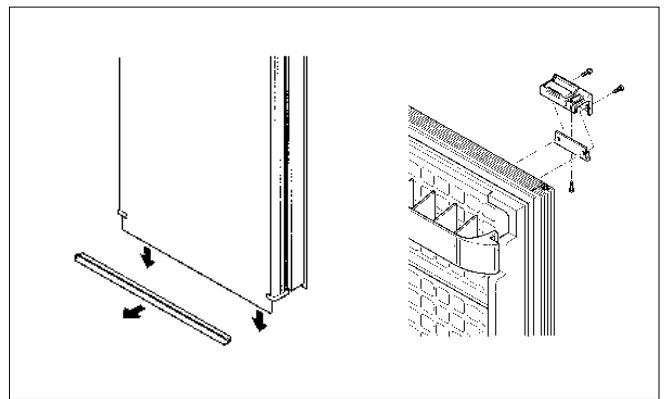
CR-jääkaapeissa on harmaa ovipaneeli vakiona.

Tarjolla on myös teak-, mahonki-, kirsikka- ja valkopintaisia ovipaneeleita.

CR 42, 49 ja 65 -malleihin on myös täysvalkoinen ovi ja ruostumaton kiinnityskehys.

INOX-mallien ovi on täysin ruostumaton ja niiden ovipaneelia ei voi vaihtaa.

Ylimääräiset ovipaneelit asennetaan olemassa olevan harmaan päälle. Oven alempi muovilista irrotetaan, vedetään suoraan ulospäin ja lisäksi irrotetaan ovilukko. Se on kiinnitetty kolmella ruuvilla. Ks. kuva. Työnnä uusi paneeli harmaan päälle ja riittävän pitkälle ylälistan reunan alle, paina alalista takaisin paikalleen käsivoimin. Kiinnitä lukko takaisin paikalleen.

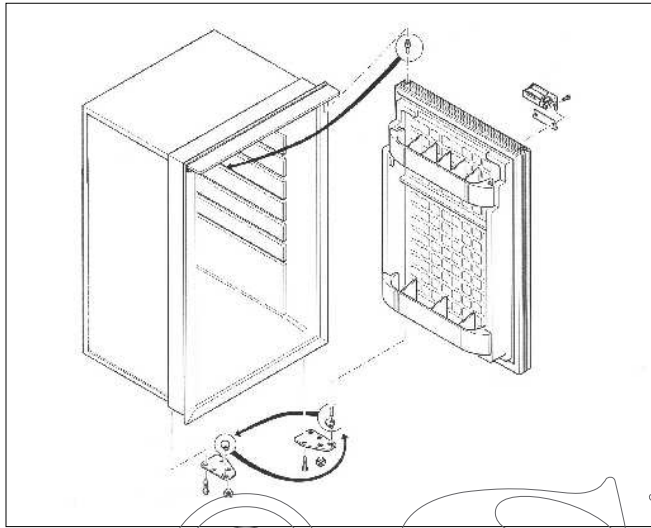


4.3 Oven kätsisyys

Ovi on vakiona saranoitu jääkaapin oikealle puolelle. Se voidaan asentaa toiselle puolelle siirtämällä ylä- ja alasarannahelat toiselle puolelle. Myös ovilukko siirretään toiselle puolelle, ks. kuva yllä. CR 42:ssä alempi saranahela on tehty niin, että siinä riittää ylempien muoviosien ja saranatapin siirtäminen toiselle puolelle. Ylhäältä siirretään ylälistan ruuvattu tappi toiselle puolelle.

CR 49, 65, 85 ja 130-malleissa siirretään sekä ylä- että alasaranelat toiselle puolelle, alhaalla ne vaihtavat paikkaa ovituen kanssa.

CR 100 -mallissa siirretään ilmanvaihtoritilässä oleva yläsaranelatappi toiselle puolelle ja alahelojen paikkaa vaihdetaan keskenään. CR INOX -malleissa kokoon CR85 INOX saakka ovi voidaan myös ripustaa toiselle puolelle, niissä on sama ovi oikeaa ja vasenta puolta varten. Ylä- ja alasaranelat siirretään toiselle puolelle. CR 130 INOX -mallissa oven kätisyttä ei voi vaihtaa. Oveissa on sivulta kiinnitetty lukko, minkä vuoksi mallista on vasen- ja oikeakätisiä versioita. Ks. kuva.



4.4 Sähköliitäntä

Liitettäessä laitetta veneen sähköjärjestelmään on tärkeää ottaa huomioon seuraavat asiat:

- Käytä aina poikkipinta-alaltaan riittävän kokoisia johtoja, katso suositukset alla olevasta taulukosta.
- Käytä aina monilankaisia kuparijohtoja tai vesistökäyttöön tarkoitettuja tinattuja kuparijohtoja.
- Kytke jääkaappi suoraan käyttöakkuun tai sen pääkatkaisijaan. Vältä kytkentää veneen sähkökeskuksen kautta, se voi aiheuttaa tarpeettomia jännitehäviöitä.
- Jääkaappi varustetaan 15 A:n sulakkeella 12 voltin tai 7,5 A:n sulakkeella 24 voltin järjestelmään.
- Kytke punainen + johto sähköjärjestelmän plusliittimeen ja musta miinusliittimeen. Käytä oikeantyyppisiä puristettuja johtoliittimiä, jotka on tarkoitettu valitulle johtokoolle.
- Mikäli jääkaappia varten asennetaan erillinen virtakytkin, sen on kestävä 15 A:n kuormitus. Jääkaappia ei saa kytkeä suoraan akkulaturiin ilman että akku on kytketty rinnan.

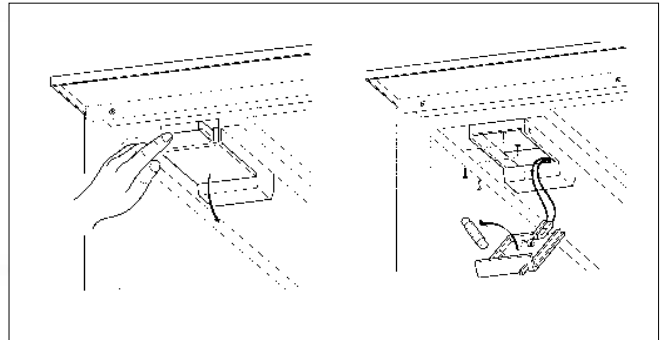
4.5 Sähköjohtojen mitoitus

Johdon poikkipinta mm ²	Maks. johtopituus, m, 12 V	Maks. johtopituus, m, 24 V
2,5	2,5	5
4	4	8
6	6	12

4.6 Sisävalo

Kaikissa jääkaapeissa malleja CR 42, CR 42 INOX ja CR 100 lukuun ottamatta on sisävalo kaapin yläosassa. Pidä huolta, että jääkaapissa on oikea hehkulamppu, 12 V tai 24 V sen mukaan mihin jännitteeseen jääkaappi on liitetty. 12 ja 24 V:n hehkulamput sisältyvät toimitukseen. Suurin sallittu teho on 3 W.

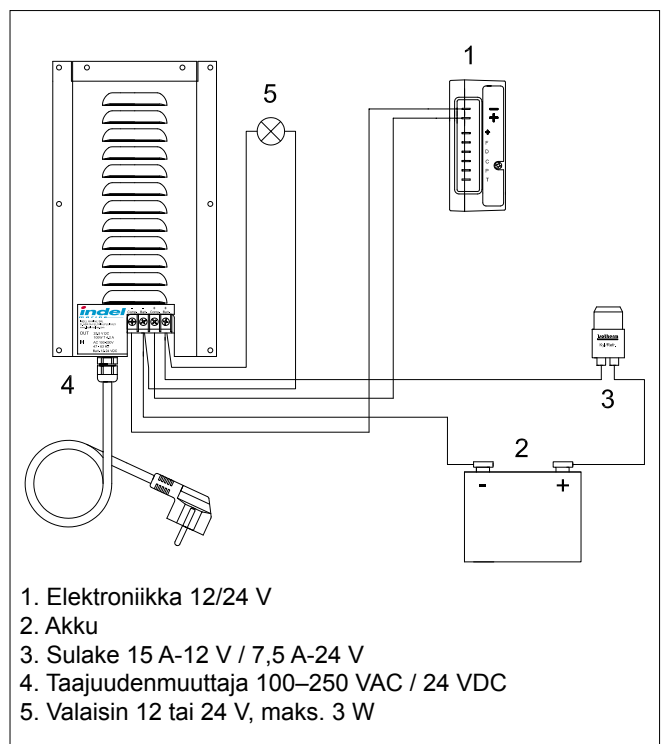
Vaihda lamppu painamalla valaisimen lasia alaspäin. Vaihda lamppu ja paina valaisimen kotelo takaisin paikalleen. Ks. kuva.



4.7 Käyttö taajuudenmuuttajalla

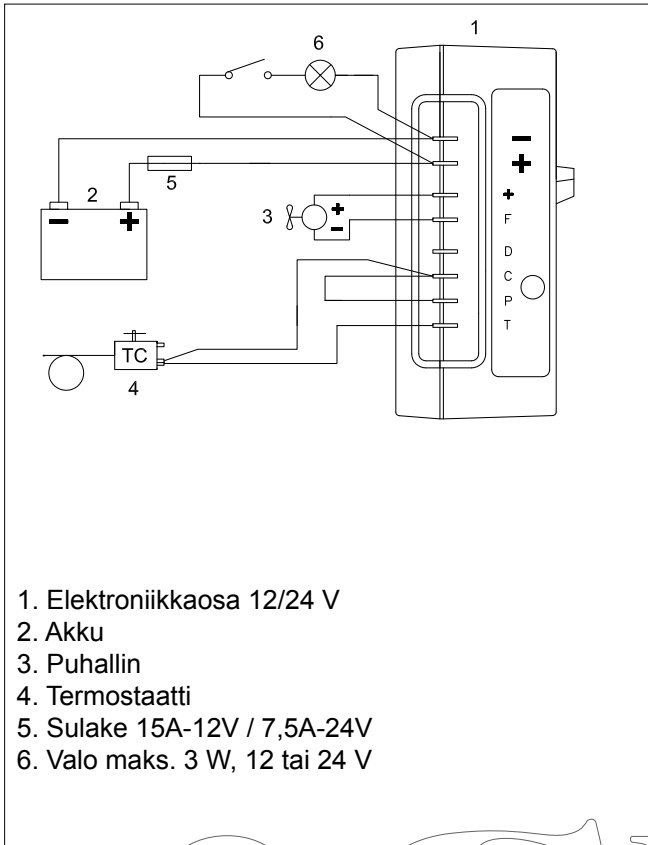
Lisävarusteena saatava taajuudenmuuttaja asennetaan jääkaapin päälle tai sivulle, jolloin jääkaappi voidaan liittää suoraan sähköverkkoon. Se pitää etusijalla verkkovirtaa ja kytkeytyy automaattisesti akkukäytölle, kun verkkovirtaa ei ole saatavilla. Taajuudenmuuttaja on liitettävä verkkoon suojapistotulpan avulla.

Kytkentäkaavio

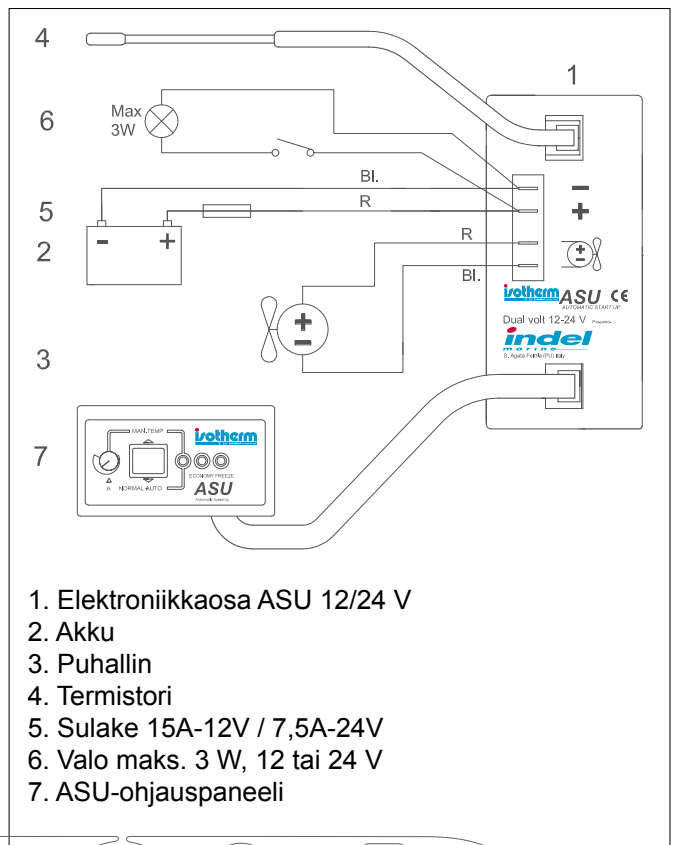


4.8 Sähkökaavio

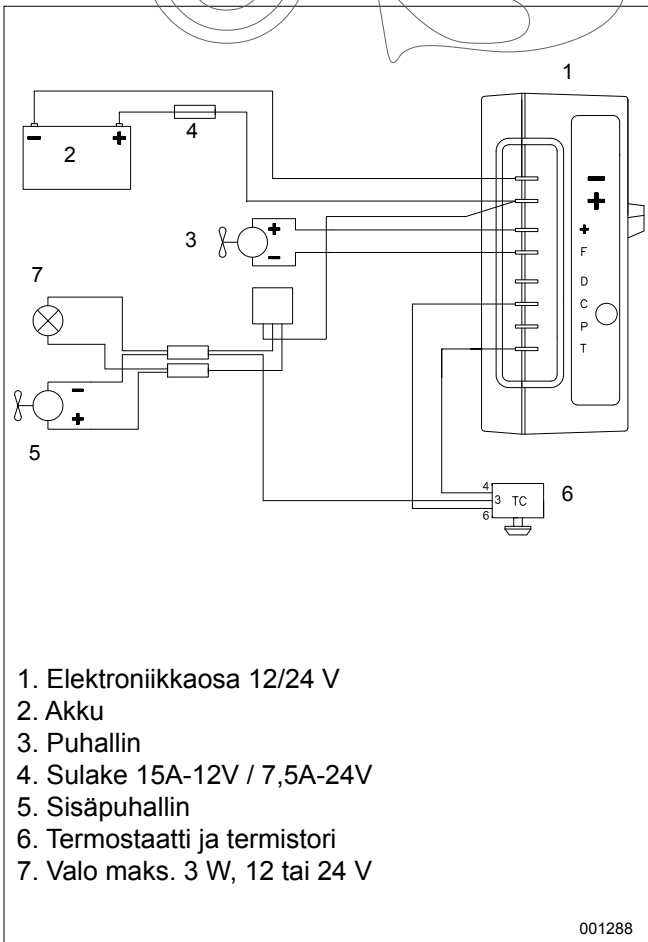
Vakiotermostaattilla varustettu jääkaappi



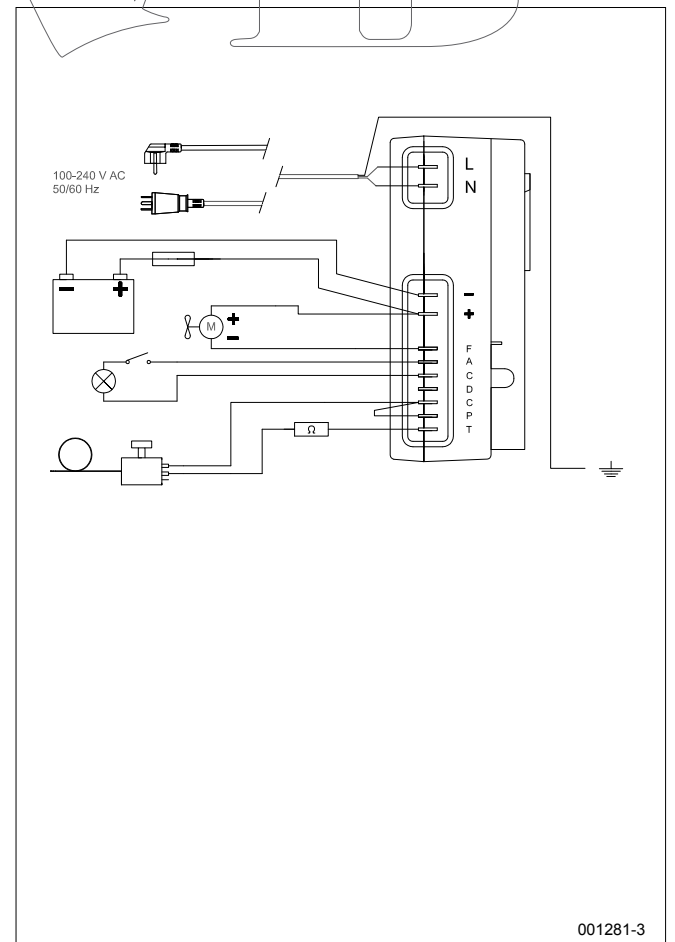
ASU-jääkaappi



CR 130 Drink -jääkaappi



AC/DC 100-240V / 12-24V



001288

001281-3

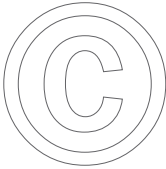
5 Tekniset tiedot

Käyttöjännite	12 tai 24 VDC
Virrankulutus kompressorin käydessä:	CR 42, 49 & 65: 2,5 - 2,7 A 12 V:lla (puolet 24 V:lla) CR 85 & 100: 3,8 - 4 A 12 V:lla CR 130: 4,7 - 5 A 12 V:lla CR 130 Drink: 5 - 5,3 A 12 V:lla
Keskimääräinen kulutus:	CR 42 & 49: 0,6 A 12 V:lla CR 65: 0,7 A 12 V:lla CR 85: 0,8 A 12 V:lla CR 100: 1,0 A 12 V:lla CR 130: 1,2 A 12 V:lla CR 130 Drink: 1,4 A 12 V:lla
Keskimääräinen kulutus mitattu jäähdytystilan +6 °C:n lämpötilassa ja 22 °C:n ympäristölämpötilassa. Jääkaapin käyttötapa ja ilmanvaihdon toteutus vaikuttavat suuresti keskimääräiseen kulutukseen.	
Kompressor:	Danfoss BD35F
Kylmäaine:	R134a, täyttömäärä merkitty jääkaapin arvokilpeen.
Sulake:	15 A -12 V tai 7,5 A - 24 V

Jääkaapit täyttävät voimassa olevat EMC-direktiivit ja ne ovat CE-merkittyjä.



6 Vianetsintä

Vika	Mahdollinen syy	Toimenpide
Jääkaappi ei jäähdy, kompressor ei käynnisty. 	Virtaa ei tule. Akut ovat huonossa kunnossa. Viallinen termostaatti. Elektroniikkayksikön vika.	Tarkista, että elektroniikkayksikkö saa riittävästi virtaa ja jännitettä, tarkista sulake. Jos sisävalo toimii, virtaa tulee kompressorille saakka. Tarkista johdot, johtoliittimet ja riviliittimet. Tarkista, että akkulaturi toimii. Termostaatin tarkistus: Kytke T - C erillisellä hyppyjohdolla, mikäli kompressor ei käynnisty, todennäköisesti elektroniikka on rikki. Vaihda se siinä tapauksessa. Jos kompressor käynnistyy hyppyjohdolla, termostaatti on rikki. Vaihda termostaatti.
Kompressor tekee vain lyhyitä käynnistysyrityksiä.	Heikko jännite, jännitehäviö käynnistysyrityksen aikana aktivoi jännitevahdin. Akut ovat purkautuneet.	Tarkista johdot ja liitännät, puhdista mahdolliset hapettumat ja korrosio. Lataa akut, aja moottorilla tai kytke akkulaturiin.
Kompressor käy muttei jäähdytä.	Kylmäainetta hävinnyt, höyrystimen tai putkiston vuoto. Putkisto tukkeutunut.	Tee vuototesti ja korjaa mahdoll. vuoto, ime tyhjäksi ja lisää oikea määrä R134a:ta. (Tämä toimenpide on jätettävä asiantuntijalle.)
Kompressor käy pitkän aikaa mutta jäähtyminen on heikkoa, heikko teho.	Huono ilmanvaihto, lauhdutin lämpenee. Puhallin ei käy. Höyrystimessä liikaa huurretta. Jääkaapin ovi ei sulkeudu kunnolla, päästää sisään lämmintä kosteaa ilmaa. Lauhdutin pölyn peitossa.	Paranna ilmanvaihtoa. Vaihda puhallin. Sulata. Korjaa oven asento ja tarkista oven tiiviste. Puhdista lauhdutin.
Sulake palaa.	Väärä sulake. Viallinen elektroniikkayksikkö.	Tarkista sulake, 15 A-12 V / 7,5 A-24 V Vaihda elektroniikkayksikkö.

Ota asiantuntijaa vaativissa hankalammissa vioissa yhteyttä Indel Webasto Marine S.r.l.:ään Italiaan tai paikalliseen Isotherm-jälleenmyyjään.

7 Asennusmitat

CR-jääkaapit

	B *	H *	D1	D2	D3
CR 42	380	525	319	40	165

*) BxH = aukon koko, minimimitat

	B *	H *	D1	D2
CR 49	380	525	470	40
CR 65	450	530	500	40
CR 85	475	625	515	40
CR 100	485	745	455	40
CR130	525	745	505	40

*) BxH = aukon koko, minimimitat

Yksityiskohtaisemmat piirustukset osoitteessa
www.indelwebastomarine.com

CR INOX -jääkaapit

	B *	H *	D1	D3
CR 42 INOX	400	530	515	165

*) BxH = aukon koko, minimimitat

	B *	H *	D1
CR 49 INOX	400	530	510
CR 65 INOX	470	530	540
CR 85 INOX	495	625	555
CR 130 INOX	545	755	545

*) BxH = aukon koko, minimimitat

Yksityiskohtaisemmat piirustukset osoitteessa
www.indelwebastomarine.com