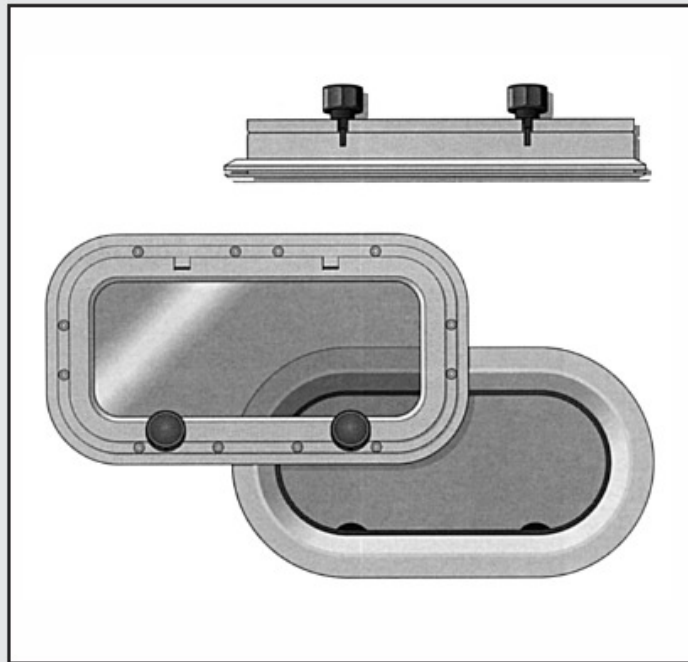


ENGLISH

Gebo portlights



General description

Gebo portlights are available in fixed and opening versions. The fixed portlight is especially suitable for fitting in the hull. Gebo portlights are designed for use on power and sailing yachts and can be used in the toughest conditions.

All portlights are made from corrosion resistant materials. Hull fitted opening portlights should be closed when sailing.

Fitting & operating instructions



Fitting

The Gebo portlight has to be installed on a flat surface with a maximum tolerance of 1 mm.

We advise that the portlight should be fitted to a vertical surface thereby eliminating the possibility of water lying in the portlight.

Fixing screws are not supplied as standard. Use the correct length of screw depending on the hull/superstructure thickness (see table of screw lengths).

1 Cut the hole using the template supplied. The underside of the hole must be a minimum of 600 mm above the waterline.

2 Make sure that the surface is completely flat and then place the portlight in the hole. If the portlight does not fit correctly or the surface is not flat, adjust the hole. The portlight will not seal correctly and will leak if it is fitted to a non flat surface.

3 Clean and degrease the mounting surface for the sealant. (Please note the specification of the sealant used.)

4 Apply the sealant on the flange of the portlight. Place the portlight in the hole and screw the innerrim to the mainframe. Use a sealant based on butylrubber (**not** silicone or polyurethane as this may cause damage if the portlight is removed in the future). Adjust hinges on opening portlights type II and III.

5 To reach the friction screw:

- Open portlight type II completely
- Close portlight type III completely

6 Adjust the friction by turning the screw on the hinge (1 per hinge). We advise the adjustment of all hinges.

7 After installation remove the protective film from the acrylic.

N.B. Use only stainless steel fixing materials.

Operating the portlight

After unscrewing the portlight or turning the handles, the portlight can be opened (only opening portlights). The portlight will remain open without a stay because of the hinge system. The risk of involuntary closing is minimal. For safety it is important that the friction hinges (not on portlight type I) are correctly adjusted (see fitting 5 & 6).

Maintenance

The durability of anodised or powder coated aluminium has been proven over many years. Although aluminium is relatively maintenance free, it is necessary to regularly clean the portlight.

It is advisable to wash the portlight with lukewarm water. The addition of a little soap solution will assist the washing process. Then wash with clean water.

Never use:

- alkaline products containing sodium solutions
- acid products like muriatic or those containing phosphor
- steel wool, abrasives or sandpaper
- cleaning products for glass can also contain alkaline, which can corrode aluminium.

Safety

The portlight (fixed type I) can be supplied with a deadlight. This deadlight will create a watertight seal if the acrylic is damaged. The deadlight and fixed portlights are Lloyds approved.

Technical Data

Frame materials: AlMg Si 0.5

Glazing: 666 acrylic (PMMA)

Surface treatment : anodised or RAL powder coated

Allowable temperature: -25° till + 60° Celsius

Application Areas

The Gebo portlight type I opening and fixed and fixed portlight type II and III are suitable for fixing in all areas (I,II,III and IV) on the

yacht (hull, transom, superstructure and cockpit).

The Gebo opening portlight type II and III are suitable for fixing in areas III and IV (superstructure and cockpit) on the yacht and can be used on ship type with design category A (ocean-worthy).

All types of portlights meet the ISO 12216 requirements.

For the correct screw length please refer to the information sticker on the product.

Ordering Information

Article	Delivery number
Portlight knob black with threaded spindle	089612000
Portlight knob white with threaded spindle	089612010
Portlight knob black	089612020
Portlight knob white	089612030
Sealing rubber type i (R610)	089606100
Sealing rubber type ii (R611)	089600611
Sealing rubber type iii (R352)	089103520

Screens available on request.

1997/6/001

EC-declaration of agreement regarding European Directive Pleasurecraft.

(Directive 94/25/EG, dated 16 june 1994)

Manufacturer: Boomsma produktie B.V.
Address: De Steiger 74
1351 AE Almere-Haven
The Netherlands

Telephon: +31 36 521 12 12

Fax: +31 36 521 12 11

Referencenumber EC-Type examination:
BOA-0002, BOA-0003, BOA-0005,
BOA-0006, BOA-0012

Notified body: ECB-0614

Address: Julianaweg 224A
1131 NW Volendam, NL

Telephone: +31 299 32 31 23

We hereby declare that the Gebo portlights meet the requirements of the regulations of the directive (Directive 94/25/EG, dated 16 june 1994), with regard to the relevant regulations for Pleasurecraft of ISO norm 12216 under European Directive Pleasurecraft.

Almere-Haven, 25 april 1996.



B. Snelders

