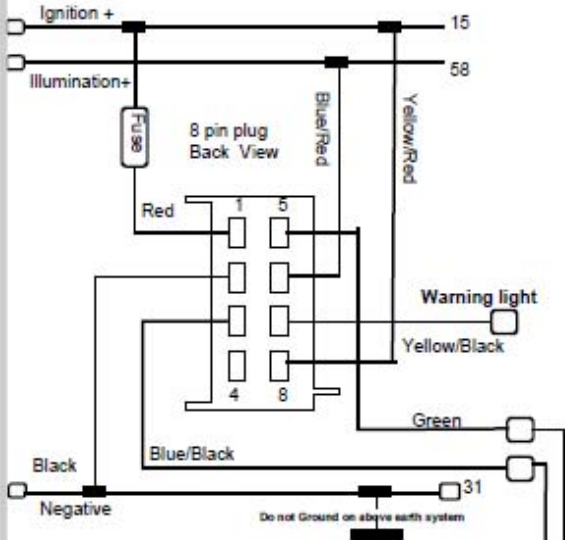


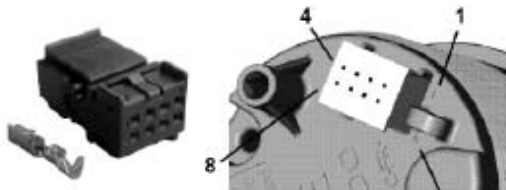
Rudder Angle



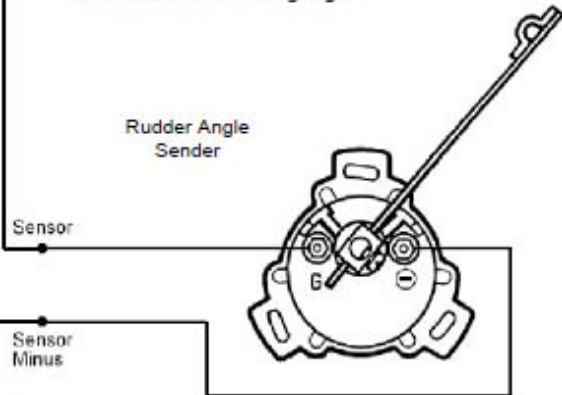
Rudder Angle Ø 52 mm & Ø 85 mm



Note: For dual station installation, connect Green wire to second gauge



8 way connector Kit
p/n A2C59510850



Rudder Angle sensor calibration

