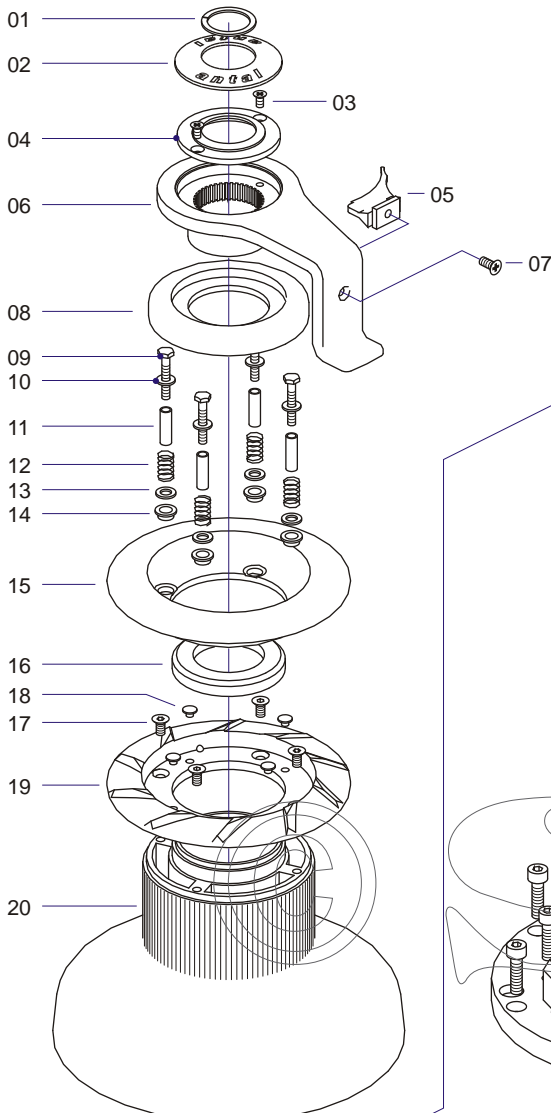


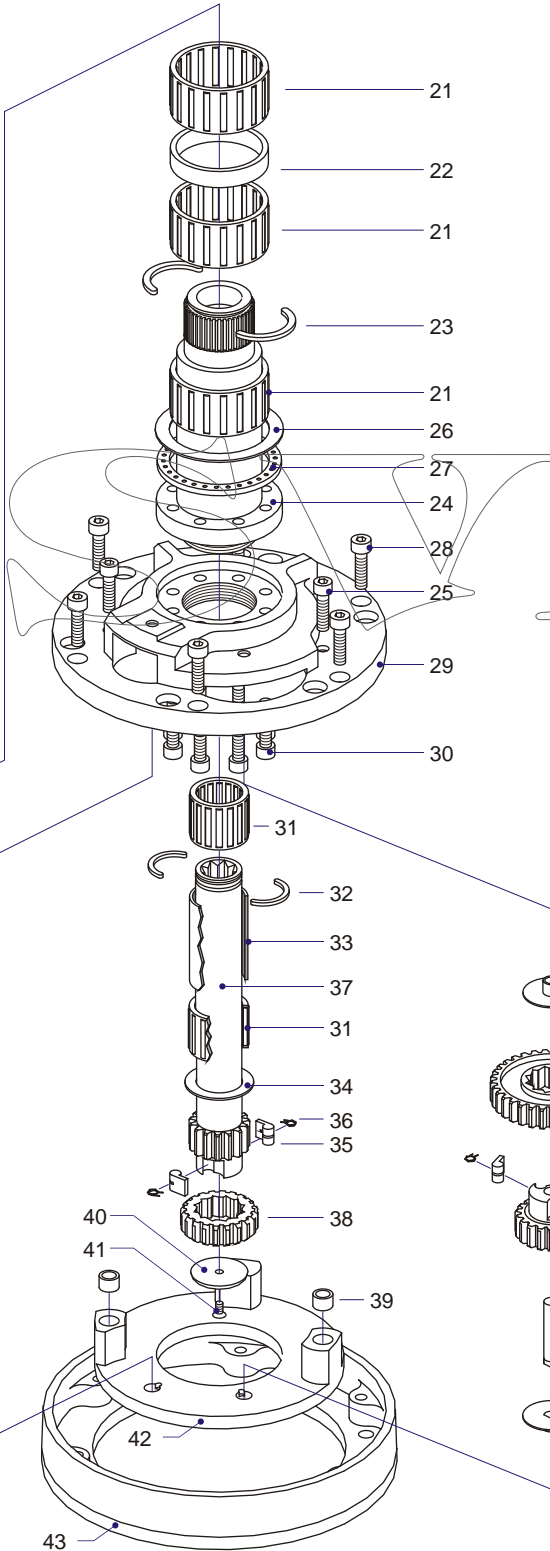
# WINCH MOD. W 65 ST

Black anodized aluminium & chromed bronze

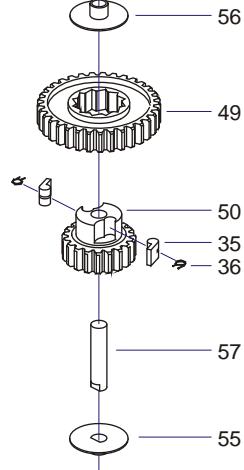
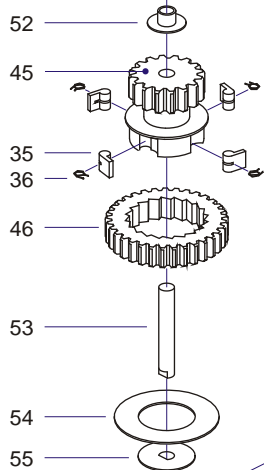
## PARTS LIST 01/2000



KEY N.	DESCRIPTION	QUANT.	KEY N.	DESCRIPTION	QUANT.
01	CIRCLIP	1	10	S.STEEL WASHER	4
02	S.STEEL CAP	1	11	S.STEEL PIPE	4
03	SCREW	2	12	ST SPRING	4
04	BRONZE CAP	1	13	S.STEEL WASHER	4
05	STRIPPER	1	14	NYLON BUSH	4
06	ST ARM	1	15	UPPER ST DISK	1
07	SCREW	1	16	PLASTIC WASHER	1
08	PLASTIC ST RING	1	17	SCREW	4
09	SCREW	4	18	PLASTIC PLUG	4



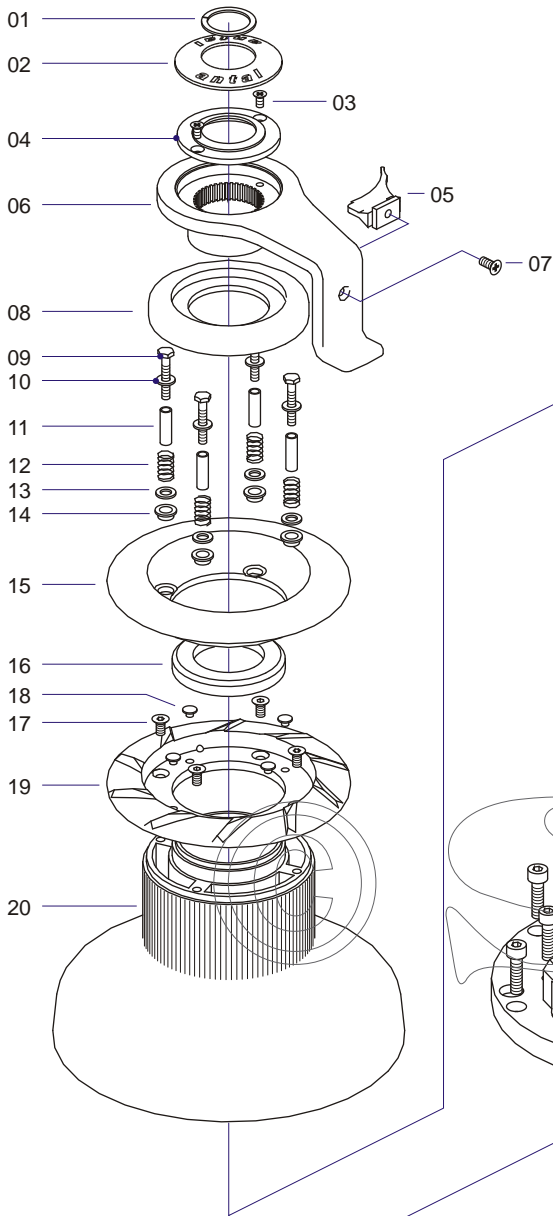
19	LOWER ST DISK	1	20	DRUM	1
21	BASE ROLLER BEARING	3	21	BRONZE HALF RING	2
22	PLASTIC SPACER	1	24	STEM	1
23	BRONZE HALF RING	2	25	SCREW	3
24	STEM	1	26	S.STEEL WASHER	1
25	SCREW	3	27	BALL BEARING	1
26	S.STEEL WASHER	1	28	SCREW	6
27	BALL BEARING	1	29	BASE	1
28	SCREW	6	30	SCREW	8
29	BASE	1	31	SHAFT ROLLER BEARING	2
30	SCREW	8	32	BRONZE HALF RING	2
31	SHAFT ROLLER BEARING	2	33	PLASTIC SPACER	1
32	BRONZE HALF RING	2	34	S.STEEL RING	1
33	PLASTIC SPACER	1	35	PAWL	8
34	S.STEEL RING	1	36	PAWL SPRING	8
35	PAWL	8	37	S.STEEL SHAFT	1
36	PAWL SPRING	8	38	BRONZE GEAR "A2"	1
37	S.STEEL SHAFT	1	39	S.STEEL SPACER	2
38	BRONZE GEAR "A2"	1	40	PLASTIC CAP	1
39	S.STEEL SPACER	2	41	SCREW	1
40	PLASTIC CAP	1	42	GEAR BASE	1
41	SCREW	1	43	SKIRT	1
42	GEAR BASE	1	45	BRONZE GEAR "B2"	1
43	SKIRT	1	46	BRONZE GEAR "B1"	1
44	SCREW	1	49	BRONZE GEAR "D1"	1
45	BRONZE GEAR "B2"	1	50	BRONZE GEAR "D2"	1
46	BRONZE GEAR "B1"	1	52	PLASTIC WASHER	1
47	SCREW	1	53	S.STEEL SPINDLE	1
48	SCREW	1	54	FIBRE WASHER	1
49	BRONZE GEAR "D1"	1	55	PLASTIC WASHER	2
50	BRONZE GEAR "D2"	1	56	PLASTIC WASHER	1
51	SCREW	1	57	S.STEEL SPINDLE	1



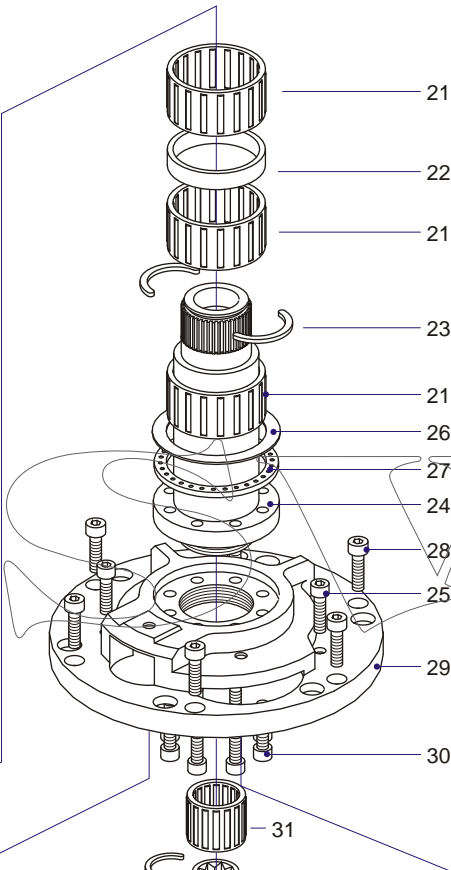
# WINCH MOD. W 65 ST

Black anodized aluminium & chromed bronze

## PARTS LIST 01/98



KEY N.	DESCRIPTION	QUANT.	KEY N.	DESCRIPTION	QUANT.
01	CIRCLIP	1	10	S.STEEL WASHER	4
02	S.STEEL CAP	1	11	S.STEEL PIPE	4
03	SCREW	2	12	ST SPRING	4
04	BRONZE CAP	1	13	S.STEEL WASHER	4
05	STRIPPER	1	14	NYLON BUSH	4
06	ST ARM	1	15	UPPER ST DISK	1
07	SCREW	1	16	PLASTIC WASHER	1
08	PLASTIC ST RING	1	17	SCREW	4
09	SCREW	4	18	PLASTIC PLUG	4



19	LOWER ST DISK	1	28	SCREW	6
20	DRUM	1	29	BASE	1
21	BASE ROLLER BEARING	3	30	SCREW	8
22	PLASTIC SPACER	1	31	SHAFT ROLLER BEARING	2
23	BRONZE HALF RING	2	32	BRONZE HALF RING	2
24	STEM	1	33	PLASTIC SPACER	1
25	SCREW	3	34	S.STEEL RING	1
26	S.STEEL WASHER	1	35	PAWL	8
27	BALL BEARING	1	36	PAL SPRING	8
28	SCREW	6	37	S.STEEL SHAFT	1
29	BASE	1	38	BRONZE GEAR "A2"	1
30	SCREW	8	39	S.STEEL SPACER	2
31	SHAFT ROLLER BEARING	2	40	PLASTIC CAP	1
32	BRONZE HALF RING	2	41	SCREW	1
33	PLASTIC SPACER	1	42	GEAR BASE	1
34	S.STEEL RING	1	43	SKIRT	1
35	PAWL	8	44	PLASTIC WASHER	3
36	PAL SPRING	8	45	BRONZE GEAR "B2"	1
37	S.STEEL SHAFT	1	46	BRONZE GEAR "B1"	1
38	BRONZE GEAR "A2"	1	47	S.STEEL SPINDLE	1
39	S.STEEL SPACER	2	48	PLASTIC WASHER	1
40	PLASTIC CAP	1	49	BRONZE GEAR "D1"	1
41	SCREW	1	50	BRONZE GEAR "D2"	1
42	GEAR BASE	1	51	S.STEEL SPINDLE	1
43	SKIRT	1			

