

Shakespeare®



MARINE VHF

Inflatable Emergency & Special Purpose Antenna

INFL8-5

5' (1.5m), 3dB GALAXY®-INFLB VHF, Inflatable Emergency Antenna



Back Up VHF Antenna



Kayaks



Jet Skis



Inflatables & Dinghies

Features

- Inflatable to Full 5ft
- CO2 cartridge inflatable
- Manually inflatable*
- Straps & Grommets
- Storage Bag
- Included SMA Adaptor

Benefits

- Full 3dB performance in an emergency antenna.
- Easily stowable
- Rapid & rigid inflation.
- Inflate in case CO₂ cartridge is not available.
- Versatile mounting options.
- Conveniently stow away in its highly visible bag until needed again.
- Compatible with most handhelds.**

* When manually inflated, the product does not inflate to be rigid enough to be mounted vertically. Recommended only if antenna can be supported at the bottom and the top.

**For hand held radios, check with your radio manufacturer for compatibility with the included adaptor. The adaptor features an SMA male.



7 19441 11144 1

Shakespeare®

USA & Canada | 6111 Shakespeare Road, Columbia, SC 29223, USA | +1 803-227-1590 | www.shakespeare-marine.com

Rest of the World | Enterprise Way, Fleetwood, Lancashire FY7 6RY, England | +44 (0) 1253-858787

© 2019 Shakespeare Company, LLC. All rights reserved. Shakespeare Company, LLC a subsidiary of Newell Brands Inc. (NYSE: NW)

Recommended Cartridge:
16g threaded CO2 cartridge

Mounting Options:

Via 2ea. x 2ft (600mm) long built-in hook-and-loop straps or can be hung and tied to structures through its grommet holes.

WARNING:

Failure to heed to warnings and other instructions can cause death or serious injury.

- Not for use as a personal flotation device.
- Not for use as a visual distress signal.
- Not suitable for use under water.
- Do not over-inflate.

Only use the recommended cartridge type.
Completely remove all air before re-inflating.
The carbon dioxide inflation cartridge contains gas under pressure; may explode when heated.
Not for sale to Minors under the age of 18 (21 in Ohio) or Anyone you suspect may misuse.

READ ME BEFORE USE

Use a 16gm threaded CO2 Cartridge

WARNING:

Failure to heed to warnings and other instructions can cause death or serious injury.

- Not for use as a personal flotation device.
- Not for use as a visual distress signal.
- Not suitable for use under water.
- Do not over-inflate.
- Only use the recommended cartridge type.
- Completely remove all air before re-inflating.
- The carbon dioxide inflation cartridge contains gas under pressure; may explode when heated.

CAUTION:

Contact with the steaming liquid or cartridge during discharge may cause frostbite. Do not hold the cartridge when inflating. Do not direct antenna toward yourself or others while inflating. Keep away from sharp objects. Do not inhale contents of cartridge. Do not puncture the cartridge. Never dispose full cartridges.

Shakespeare® Style INFL8-5

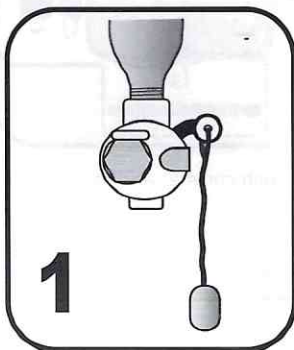
GALAXY®-INFL8 5' Inflatable VHF Antenna

⚠ WARNING

Failure to heed to warnings and instruction on this sheet and the product markings can cause death or serious injury.

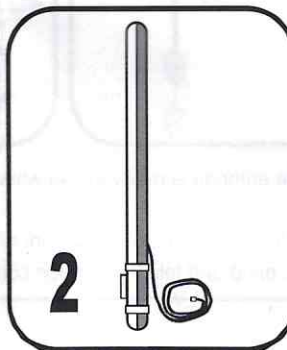
1. Not for use as a personal flotation device.
2. Not for use as a visual distress signal.
3. Do not use under water. Not suitable for submersible/ man overboard applications.
4. The carbon dioxide inflation cartridge contains gas under pressure; may explode when heated.
5. Do not over-inflate. Only use the recommended cartridge type. Completely remove all air before re-inflating.

Quick Start



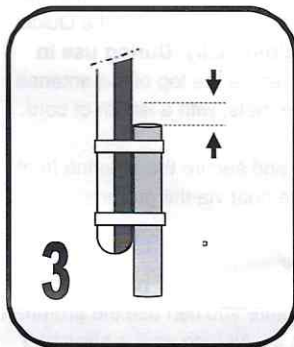
Open packet and locate inflation head. Ensure that an inflation cartridge is installed. With no-one directly in front of the antenna, pull the cord firmly downwards.

CAUTION: Do not hold the cartridge. Risk of frost bite.



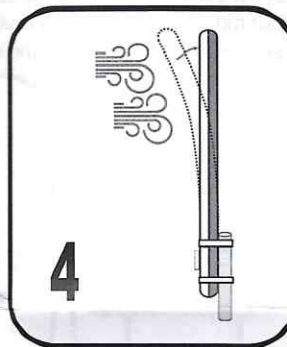
The antenna will self inflate. Ensure the cable is not tangled.

Note: In case the cartridge is not available, the antenna can be manually inflated. See the "Manual inflation" instructions in the "Re-Inflating" section.

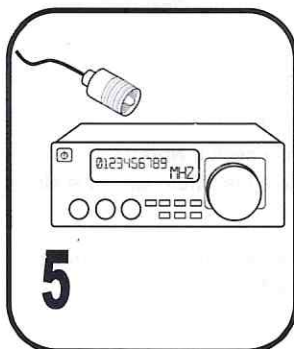


Use Hook-and-Loop straps to mount the antenna vertically and as high as possible.

IMPORTANT: Ensure that the antenna is strapped to the mounting pole, below the red line.



The antenna is designed to curve into the wind for added rigidity. Orient the antenna to achieve this



Plug directly into the back of your fixed-mount VHF radio.



If using a handheld, Remove its antenna and replace with the included SMA adapter** before plugging in the INFL8-5.

**Note— Check with your radio manufacturer for compatibility with the adapter. The adapter included features an SMA male.

Tech Tip: This antenna will read "short circuit" when tested with an ohm meter or continuity tester.

Shakespeare Electronic Products Group

U.S. Operations: 6111 Shakespeare Rd. · Columbia, SC 29223 · 803-227-1590 · Fax: 803-419-3099 · www.shakespeare-marine.com

U.K. Operations: Enterprise Way, Fleetwood, Lancashire, FY7 8RY, England · +44 (0) 1253 858787 · Fax: +44 (0) 1253-859595 ·

© 2019 Shakespeare Co. LLC, All rights reserved.

Rev. 01/29/2018

Re-Inflating

Using a Cartridge

⚠ WARNING: Do not over-inflate.

The antenna will stay inflated for up to 24hrs, but should you need to re-inflate, you **MUST** fully deflate the antenna before re-inflating with a canister.

1—Press the valve in the manual inflation tube (red) to release the gas and deflate.

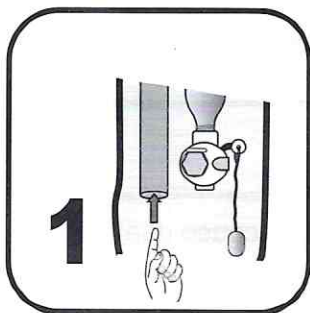
Tip: Fold the antenna from the top, squeezing out all the air as you fold it down.

2—Unscrew the spent cartridge and dispose. Move the firing lever into the UP position and screw in the second cartridge.

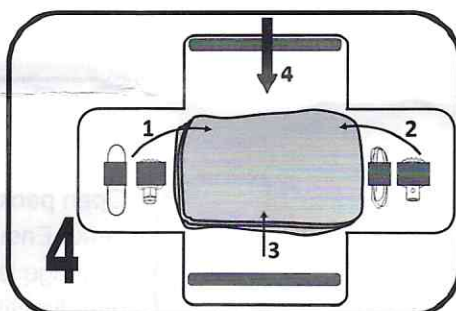
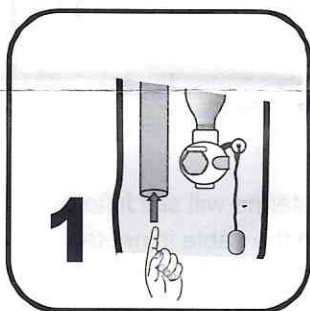
3—Then inflate as shown in the Quick Start section.

Manual Inflation:

In case a cartridge is unavailable, the antenna may be manually inflated by blowing into the oral inflation tube (red). When inflated manually, the antenna will need to be supported at, both, the bottom and the top.



Stowing the Antenna



1 & 2— After use it is important to ensure the antenna is ready to use whenever needed. Remove all gas and reinsert fresh canister as shown in the RE-INFLATING section.

3— Fan-Fold (see image 3) the antenna to fit inside main pouch. Do not roll up or roll-fold the antenna.

4— Secure all accessories behind an elastic band and fold the storage pouch together as detailed in drawing. Left side first and finish with top.

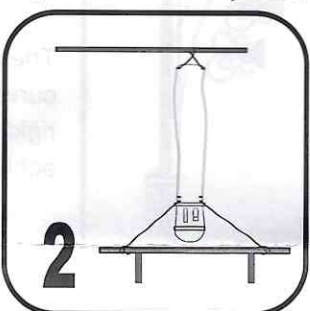
Mounting Options

Tech Tip: To get the best performance out of your antenna, it should be mounted as high as possible, being sufficiently rigid or secured to stay vertical in the expected winds.

Option 1: Use hook-and-loop straps to mount the antenna vertically as shown in the Quick Start section. **Additionally, During use in strong winds,** secure the top of the antenna through the grommets, with a length of cord.

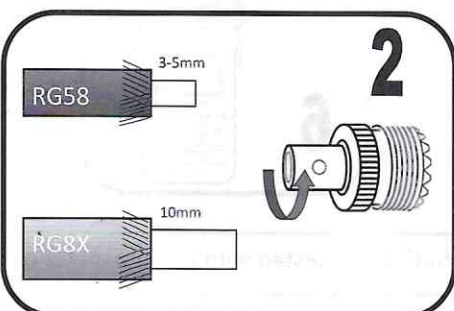
Option 2: Hang and secure the antenna from structures on the boat via the grommets using lengths of cord.

Should the antenna bladder become damaged and not inflate you can use the grommet method (Option 2). As long as it is stretched out vertically, this will not affect performance.



IMPORTANT: DO NOT tie the antenna against a metal pole—this will detune the antenna which could damage the radio or make it malfunction.

To Extend the Cable, if Needed



If you are not able to reach your VHF radio, you can extend the cable using the temporary splice connector. **Note:** This connector can fit RG-58 or RG-8X. Note the difference in the strip length in step 2 for each cable type.

1—Locate the VHF radio cable from your fixed VHF to main antenna system. Cut this cable flush at a suitable point

2—Strip outer sheath from coax as detailed in image and fold back the braid. Simply screw on the splice connector (provided) until it stops.

IMPORTANT: This is NOT a permanent connection and steps should be taken to ensure the connector is not pulled sharply.

Shakespeare Electronic Products Group

U.S. Operations: 6111 Shakespeare Rd. · Columbia, SC 29223 · 803-227-1590 · Fax: 803-419-3099 · www.shakespeare-marine.com

U.K. Operations: Enterprise Way, Fleetwood, Lancashire, FY7 8RY, England · +44 (0) 1253 858787 · Fax: +44 (0) 1253-859595 ·

© 2019 Shakespeare Co. LLC, All rights reserved.