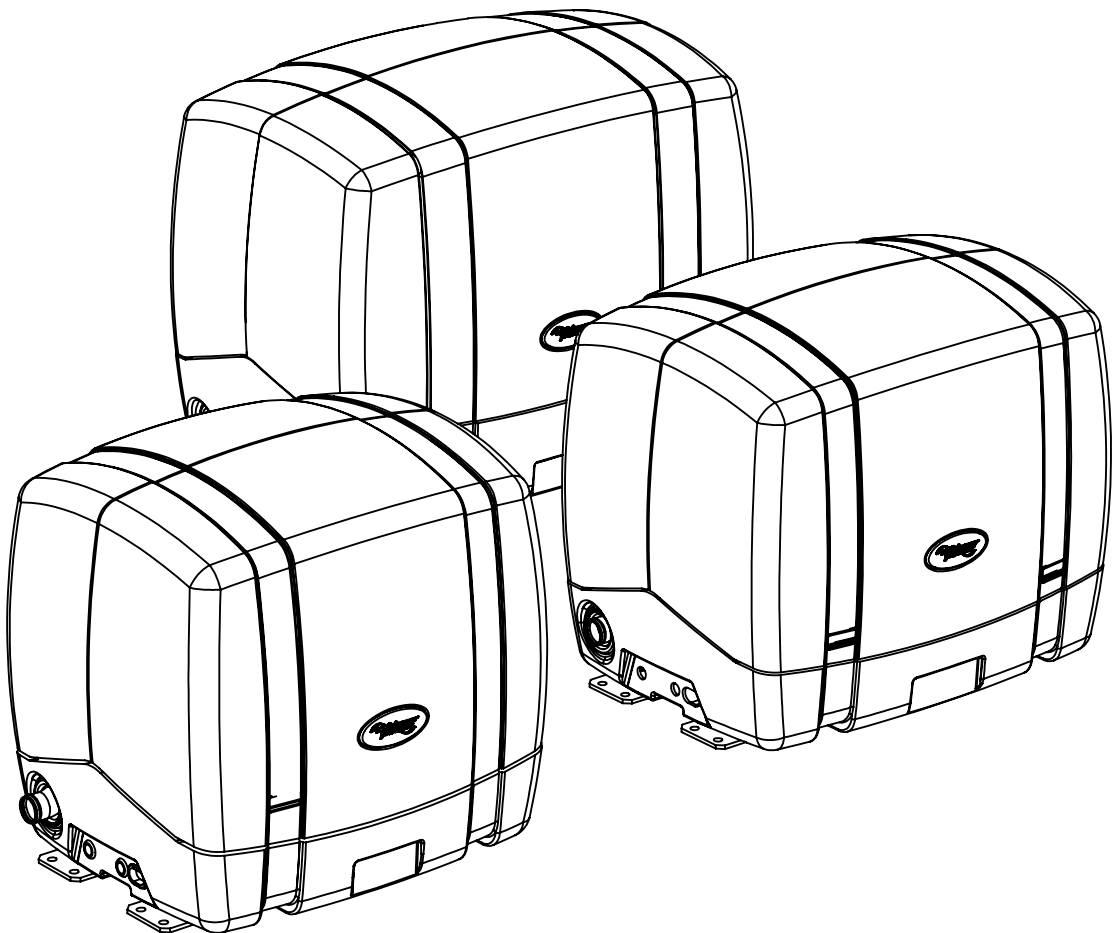




## USER'S MANUAL

# Piccolo 2/8, 3/10/12 and 3+/15 genverters for marine use



WHISPERPOWER BV  
Kelvinlaan 82  
9207 JB Drachten  
Netherlands  
Tel.: +31-512-571550  
Fax.: +31-512-571599  
[www.whisperpower.com](http://www.whisperpower.com)

## CONTENTS

<b>1</b>	<b>INTRODUCTION</b>	<b>4</b>
1.1	General	4
1.2	Service and maintenance	4
1.3	Guarantee	4
1.4	Liability	5
1.5	Identification	5
1.5.1	General	5
1.5.2	Identification plate	5
<b>2</b>	<b>GENERAL INFORMATION</b>	<b>6</b>
2.1	Safety	6
2.1.1	General	6
2.1.1	Warnings and symbols	6
2.1.2	Scope of regulations	6
2.1.3	Maintenance & repair	6
2.1.4	Electrical safety	6
2.1.5	Installation	6
2.1.6	Operation	7
2.1.7	Fire and explosion	7
2.1.8	Dangerous substances	7
2.1.9	Warning regarding life support applications	7
2.2	Transport, lifting and storage	7
2.3	Features	8
2.3.1	General	8
2.3.2	Construction	8
2.3.3	Control	8
2.3.4	Installation	8
2.3.5	Documentation	8
2.4	Main components to identify	9
2.4.1	Piccolo 2/8	9
2.4.2	Piccolo 10/12	10
2.4.3	Piccolo 3+ /15	11
<b>3</b>	<b>TECHNICAL INFORMATION</b>	<b>13</b>
3.1	Explanation of functional parts	13
3.1.1	Control system	13
3.1.2	AC Permanent Magnet Alternator	13
3.1.3	Engine	13
3.1.4	Starter battery charging	13
3.1.5	Piccolo PMG control	13
3.1.6	Piccolo DDC and Piccolo 10, 12 and 15 control	13
3.1.7	Fuel Specification	14
3.1.8	Biodiesel	14
3.1.9	Lubricating oil	14
3.1.10	Cooling liquid	15
3.2	Technical data	16
<b>4</b>	<b>OPERATION</b>	<b>18</b>
4.1	General	18
4.2	Programmable speed	18
4.3	Control panels	18
4.4	Operating instructions	18
4.4.1	Daily check of oil level	18
4.4.2	Summarized operating instructions (daily use)	18
4.4.3	Extended operating instructions	19
<b>5</b>	<b>MAINTENANCE</b>	<b>21</b>
5.1	Maintenance intervals	21
5.2	Alternator	21
5.3	Engine	21
5.3.1	Preliminary instructions	21
5.3.2	Bleeding the fuel lines	21
5.4	Regular maintenance	21
5.4.1	General precautions	21



5.4.2	5.4.2	22
5.4.3	5.4.3	22
5.4.4	5.4.4	22
5.4.5	5.4.5	22
5.4.6	5.4.6	23
5.4.7	5.4.7	23
5.4.8	5.4.8	23
5.4.9	5.4.9	23
5.4.10	5.4.10	23
5.4.11	5.4.11	23
5.5	5.5	23
<b>6</b>	<b>6 TROUBLESHOOTING</b>	<b>24</b>
6.1	6.1 General	24
6.1.1	6.1.1 Piccolo 8	24
6.1.2	6.1.2 Piccolo DDC version	24
6.1.2.1	6.1.2.1 General	24
6.2	6.2 Alternator/ electrical faults	25
6.2.1	6.2.1 Troubleshooting table for alternator	25
6.2	6.2 Engine faults	25
6.2.1	6.2.1 General	25
6.2.2	6.2.2 Troubleshooting table for engine	25
6.2.3	6.2.3 Warnings	28
6.2.4	6.2.4 Service address	28
<b>7</b>	<b>7 SPARE PARTS</b>	<b>29</b>
	<b>Maintenance log</b>	<b>31</b>
	<b>Supplier's Declaration of Conformity/Incorporation</b>	

# 1 INTRODUCTION

## 1.1 GENERAL

This manual serves as a guideline for the safe and effective operation, maintenance and possible correction of minor malfunctions of genverters for marine applications manufactured and marketed by WhisperPower.

It is therefore essential that every person who works on or with the genverters should be familiar with the contents of this manual, and that he/she should carefully follow the instructions contained herein. Both safety and durability depend very much on the correct identification, installation and the correct understanding of ratings, features, design, maintenance and operation procedures.

The information, specifications, illustrations and statements contained within this publication are given with our best intentions and are believed to be correct at the time of going to press.

All of the specifications, provisions and instructions contained in this manual apply solely to standard versions of genverters delivered by WhisperPower.

This manual is valid for the following models:

Art. no.	Description
49005005	Piccolo 2/8 (Kubota Z482) 230V
49005055	Piccolo 3/8 (Kubota Z482) 120V
49009005	Piccolo 10 (Kubota D722) 230V
49009055	Piccolo 10 dual phase 120/240VAC (D722)
49006005	Piccolo 12 dual phase 120/240VAC
49007005	Piccolo 3+/15 dual phase 120/240VAC (D1105)

For other models, see other manuals available on our website: [www.whisperpower.com](http://www.whisperpower.com).

Our policy is one of continued development and we reserve the right to amend any technical information without prior notice.

Whilst every effort is made to ensure the accuracy of the particulars contained within this publication neither the manufacturer nor the distributor or dealer in any circumstances shall be held liable for any inaccuracy or for the consequences thereof.

## 1.2 SERVICE AND MAINTENANCE

Regular service and maintenance should be carried out according to the directions in this manual. For service and maintenance, turn to the manufacturer or a dealer.

## 1.3 GUARANTEE

WhisperPower guarantees that this genverter has been built according to the principles of good workmanship, according to the specifications in this manual and according to European Community safety regulations.

During production and prior to delivery, all of our genverters are tested and inspected.

This genverter's correct operation is subject to guarantee. The period and conditions of this guarantee are laid down in the general conditions of delivery as registered with the Chamber of Commerce and Industries for the North of the Netherlands number 01120025 and are available on request. The guarantee period is two years, limited to 1000 running hours. Some aspects of our guarantee scheme are given here in more detail.

Guarantee does not cover failures caused by misuse, neglect or faulty installation.

### Example 1: Faulty installation

Seawater entering the engine is the most common cause of damage to combustion engines (both propulsion and generator engines) in boats. The entry of water must be avoided under all conditions. Be aware that the conditions in blue water sailing can be extreme. Refer to the installation manual for instructions but remember these are for guidance only as many factors influence the installation of the genverter. The ultimate responsibility will always be with the owner. If in doubt, ask!

### Example 2: Misuse

Long term running with no load or too little load can cause the exhaust to get choked with soot or carbon. Cleaning the exhaust is not covered by guarantee.

### Example 3: Neglect

Sometimes the seal of the raw water pump starts leaking. Mostly this begins with a little drip and it slowly gets worse. Regular visual inspection of the genverter is necessary to prevent damage from occurring due to a leaking water pump. When serious damage is discovered after weeks of neglect, guarantee claims will not be honoured.

### Example 4: Neglect

A WhisperPower genverter has an option for an auto start/stop mode or interval mode. WhisperPower cannot be held responsible for damage caused by the genverter running unattended. Oil changes must be carried out according to the maintenance schedule.

Guarantee means that faulty parts are repaired or replaced free of charge. If necessary the whole genverter unit will be exchanged. Labour necessary to complete repairs on board a vessel by an authorized service engineer is covered, but is limited to a reasonable number of hours and reasonable rates in relation to the actual repair work that has to be done.

Travel expenses and travel hours are not covered, neither is the labour required to take a genverter out of a vessel or for reinstallation. There is no cover for labour needed to get access to the genverter, for example to remove equipment or parts of the vessel's structure or hull.

Goods to be delivered under guarantee will be invoiced. Only after the faulty goods are returned will the invoice be credited. Payment in advance may be required or guaranteed by credit card. If the faulty goods show that the failure was not covered by guarantee, a credit will not be issued. For example, if a Printed Circuit Board is returned with clear damage caused by water, guarantee will be refused.

Freight costs to deliver spares by normal mail or carriers are covered under guarantee. Special services like express mail, overnight delivery, etc. are not covered. Taxes and duties are not covered. For shipments to remote areas any additional costs incurred over normal carriage will be invoiced to the customer.

The cost for returning faulty goods is not covered by guarantee.

If any problem arises which could be subject of guarantee, procedures should be followed as described in the guarantee conditions, unauthorized repairs could lead to further damage and violate the guarantee conditions.



Any work contrary to the guidelines, instructions and specifications contained in this user's manual and the corresponding installation manual, may damage the genverter and prevent it from meeting its specifications. In all these cases the guarantee may become invalid. Use original spare parts only!

#### 1.4 LIABILITY

WhisperPower does not accept responsibility for damage, injuries or casualties which are the result of operation of the genverter in specific conditions bringing dangers which could not be foreseen, or could be avoided by additional measures. WhisperPower does not accept liability for damage due to use of the genverter, possible errors in the manuals and the results thereof.



**Automatic start/stop:** WhisperPower cannot be held responsible for damage caused by the genverter running unattended using the auto-start/stop mode or interval mode.

#### 1.5 IDENTIFICATION

##### 1.5.1 General

Before using this genverter it is very important to identify the model correctly. To communicate for service or ordering parts it is also essential to correctly identify the genverter. For the daily operation of the genverter it is necessary that the operator knows the correct specifications as well.

##### 1.5.2 Identification plate

All required identification data are on the identification plate. The identification plate also mentions some basic features of the genverter.

**SERIAL NUMBER:** The identity of the genverter is given by the serial number. Using this number, the manufacturer can trace the specifications of the genverter.

**POWER:** The identification plate gives the maximum load in kW, i.e. kVA calculated with power factor one. When calculating a load one should always take into account the power factor or cos phi of this load. The resulting load should not exceed the nominal power as shown on the identification plate. Power is rated at an ambient temperature of 25°C. For higher temperatures the genverter has to be de-rated.

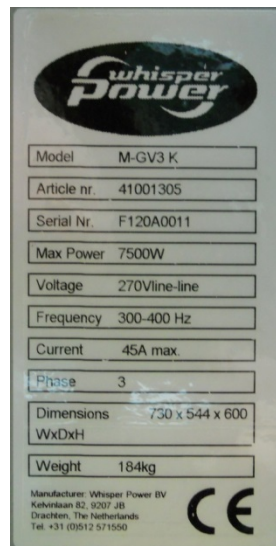


Figure 1: Identification plate

**VOLTAGE:** The Permanent Magnet Alternator (PMA) generates a variable voltage between 250V and 400V. Depending on the type of installation, this is converted by a DC PowerCube or an AC Power Module for Genverter

**FREQUENCY:** The Permanent Magnet Alternator output frequency is considerably higher than in common alternating current installation. The DC PowerCube and WP-PMG (Power Module for Genverter), however, are designed to generate very stable DC and AC outputs from the PMA output.

**CURRENT:** The maximum allowed current at the specified voltage and power factor.

**PHASE:** The number of live wires running from the genverter.

**WEIGHT:** The net dry weight (approximately) in kg. This is without fuel, oil, cooling liquid, packaging and external installation equipment.

**CE-MARKING:** The "CE" symbol shows that the genverter is built according to European Community safety regulations. This includes the regulations regarding safety of pleasure craft, electric safety and electric magnetic compatibility (EMC) and other relevant directives. Under the Machinery Directive, the genverter is an incomplete machine and can only comply after installation; refer to the Declaration included in this manual.

Safety is also a matter of installation, utilization and operating conditions. See also 2.1.

It is recommended to consult the manufacturer before changing a factory setting. If the genverter involved is not new, former users may have changed the settings. Check the settings when there is any doubt.

## 2 GENERAL INFORMATION

### 2.1 SAFETY

#### 2.1.1 General

The user must always:

- have access to the user's manual;
- be familiar with the contents of this manual. This applies in particular to the paragraphs on safety.

#### 2.1.1 Warnings and symbols

Safety instructions and warnings are marked in this manual by the following pictograms:



#### WARNING

This warning symbol draws attention to special warnings, instructions or procedures which, if not strictly observed, may result in damage or destruction of equipment, severe personal injury or loss of life.



#### WARNING

Moving machinery. This symbol indicates that a potential hazard exists caused by moving parts and draws attention to special warnings, instructions or procedures which, if not strictly observed, may result in severe personal injury or loss of life.



#### WARNING

This danger symbol refers to toxic danger caused by Carbon monoxide (CO) and draws attention to special warnings, instructions or procedures which, if not strictly observed, may result in severe personal injury or loss of life.



#### DANGER

This danger symbol refers to electric danger and draws attention to special warnings, instructions or procedures which, if not strictly observed, may result in electrical shock which will result in severe personal injury or loss of life.



A procedure, circumstance, etc. requiring extra attention.

#### 2.1.2 Scope of regulations

When correctly installed and used under normal conditions, this genverter fulfils EC safety regulations. This genverter could be part of an installation or could be used in a way that additional regulations of the EC or other authorities have to be taken into account. Refer to the declaration of conformity/incorporation included in this manual.



In certain situations, additional measures may be necessary. Be aware of wet conditions, explosion hazards, etc.

#### 2.1.3 Maintenance & repair



#### WARNING

When service has to be carried out while the engine is running, be aware of moving parts.



If the genverter is switched off during maintenance and/or repair activities, it should be secured against unexpected and unintentional switching on:

- remove the DDC fuse from the local control panel
- remove the connections to the batteries
- be sure that third parties cannot reverse the measures taken.

Use original spare parts only. Always consult the manual before carrying out maintenance.

#### 2.1.4 Electrical safety



Warning signs indicate parts which could be live.



The alternator output (which is the inverter input) can be as high as 400 Volt and is very dangerous. The only way to get access to the high voltage parts is with the help of tools. Never run the genverter when there is access to these parts. Touching these parts may result in electrical shock which will result in severe personal injury or loss of life.

- Check all wiring at least once a year. Defects, such as loose connections, burned cables, etc. must be repaired immediately.
- Do not work on the electrical system if it is still connected to a current source. Only allow changes to your electrical system to be made by qualified electricians.
- Connections and protection must comply with local standards.

#### 2.1.5 Installation

WhisperPower inverters are not self-contained and have to be properly installed. Installation involves proper ventilation, safe electric connections, safe installation of the starting battery, proper fitting of the cooling system and fuel pipes etc. In enclosed areas, installation includes taking measures to outlet exhaust fumes. Containing carbon monoxide, these are extremely dangerous. Carbon monoxide (CO) is an invisible and odourless gas. Inhalation produces headache, nausea or death. Refer to the installation manual.



Do not use the genverter when the vessel is inside a boat house or in other enclosed areas.

### 2.1.6 Operation

WhisperPower genverters have no external moving parts like fans and V-belts. The fan of the radiator unit is covered by a grid. The hot parts of the engine are covered by the sound shield and therefore these genverters are very safe when the sound shield is closed.



Nevertheless take note of the triangular signs on the genverter indicating danger.

- The genverter should be operated by authorized personnel only.
- Be aware of hot parts and especially parts of the exhaust system and the cooling system.
- If the genverter is unsafe, fit danger notices and disconnect the battery positive (+) lead so that it cannot be started until the condition is corrected.
- Do not attempt to operate the genverter with a known unsafe condition. Disconnect the battery positive (+) lead prior to attempting any repairs or cleaning inside the enclosure.
- Always consult the manual before carrying out maintenance.
- Do not change the settings without consulting the manufacturer. Keep a record of setting changes in this manual.

### 2.1.7 Fire and explosion



Fuels can be flammable. Proper handling limits the risk of fire and explosion.



#### WARNING

Never use the genverter in situations where there is danger of gas or dust explosion or where potentially flammable products are present!

- Avoid refilling the fuel tank while the engine is running. When oil or fuel is leaking do not use the genverter.
- Hydrogen gas generated by charging batteries is explosive. Ensure proper ventilation. Do not smoke and do not allow sparks, flames, or other sources of ignition around batteries.
- Keep a fire extinguisher on hand.
- In case of fire, do not open the sound shield. To avoid serious injury or death from fire, shut down engines, generator sets and blowers. However, if you do open the sound shield, immediately discharge the entire contents of a portable fire extinguisher into the enclosure.
- Poor electrical connections or using wiring which is not suited for the rated currents can cause overheating and possibly fire.

### 2.1.8 Dangerous substances

Fuels, oils, coolants, and battery electrolyte can be hazardous to personnel if not handled properly. Do not swallow or have skin contact with these liquids. Do not wear clothing that has been contaminated by fuel or lubricating oil.

The gaskets used in the genverter are free of asbestos. However, gaskets containing asbestos can still be found. Avoid inhaling particles of this material as this may result in fatal diseases. Therefore it is a good habit to be careful with gaskets.

On no account allow unprotected skin to come into contact with the injector spray as the fuel may enter the blood stream with fatal results.

Engines may be fitted with seals or O-rings manufactured from "Viton" or similar material. When exposed to abnormally high temperatures in excess of 315°C an extremely corrosive acid is produced which cannot be removed from the skin. If signs of decomposition of the material are evident, or if in doubt, always wear heavy duty disposable gloves.

### 2.1.9 Warning regarding life support applications

The WhisperPower genverters are not intended to be used as a component of any life support system unless a specific written agreement pertaining to such intended use is executed between the manufacturer and WhisperPower. Such agreement will require the medical equipment manufacturer either to contract additional reliability testing of the genverter and/or to commit to undertake such testing as a part of the manufacturing process. In addition the medical equipment manufacturer must agree to indemnify and not hold WhisperPower responsible for any claims arising from the use of the genverter in the life support equipment.

### 2.2 TRANSPORT, LIFTING AND STORAGE



When lifting the genverter avoid any risk of personal injuries. In particular, do not stand under the genverter.

- Use soft slings to avoid damage
- The engine has a lifting eye which can be used to take the genverter out of the enclosure. It can also be used to lift the complete genverter including the enclosure.
- After transporting the genverter check for damage before installation.
- Long term storage can have detrimental effects on engine and alternator. The engine should undergo an engine preservation procedure (refer to the maintenance chapter.)
- Condensation may occur on alternator windings. To minimize condensation, store the genverter in a dry and warm storage area.
- While the battery is stored it should be recharged every 12 weeks.



## 2.3 FEATURES

### 2.3.1 General

The WhisperPower genverters combine carefully selected engines with highly efficient Permanent Magnet alternators. The voltages and frequencies produced, however, require the genverter to be connected to a WhisperPower DC PowerCube or Power Module producing clean DC or AC output. This is an original concept, which is cost-effective as well as easy on installation.

### 2.3.2 Construction

The genverter incorporates a diesel engine which has a permanent magnet alternator in the flywheel. The engine is mounted on a steel base frame and mounted securely on a double set of anti-vibration mounting pads in a sound attenuated enclosure. The output of the power from the alternator will be between 300V-400Hz and 400V-500Hz, depending on the engine speed. The engine speed is set to strike a balance between fuel efficiency and comfort. All cables and hoses are guided through the enclosure's sides.

### 2.3.3 Control

The genverter's control system is based on microprocessor technology. On models featuring Digital Diesel Control (DDC), several operating modes and automatic start/stop functions can

be programmed and monitored (refer to Digital Diesel Control user's manual).

All functions can be set from the remote control panel, which comes as standard with the genverter, including an RJ12 connecting cable.

### 2.3.4 Installation

The genverter is not self-contained and is only operable after proper installation using additional accessories and installation materials such as a starter battery, fuel supply and an exhaust system.

Installation accessories are listed in the installation manual and are available through the supplier of the genverter.

### 2.3.5 Documentation

Included in the delivery are:

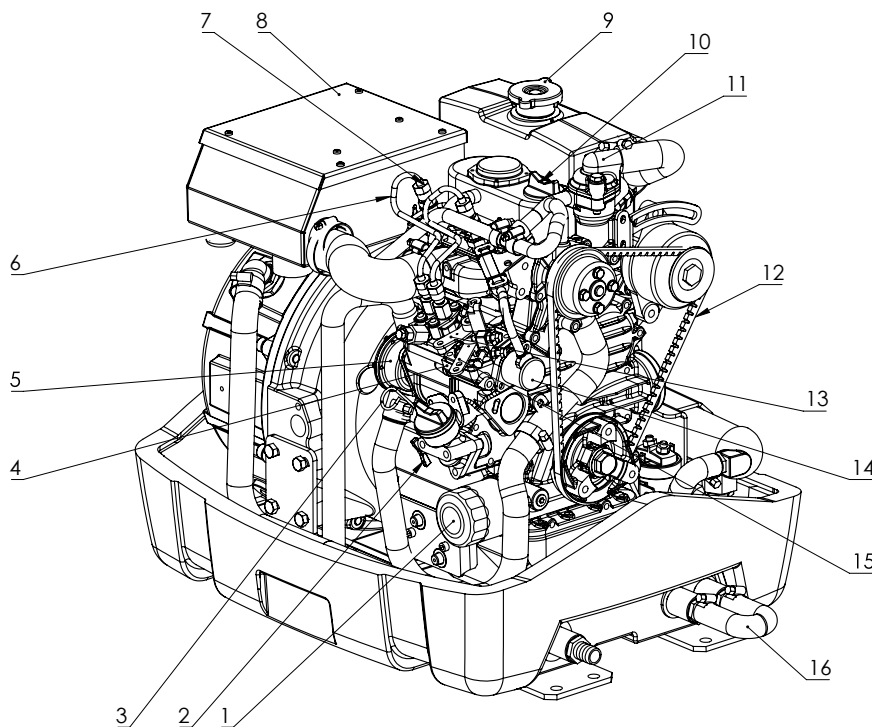
- This user's manual (no. 40200421)
- An installation manual (no. 40200701)
- A DDC operating manual (no. 40200801), as applicable
- A DDC quick reference guide (no. 40200142), as applicable

The user's manual contains a list of important maintenance and spare parts as well as a chapter on maintenance and problem solving. Manuals in other languages are available on request.



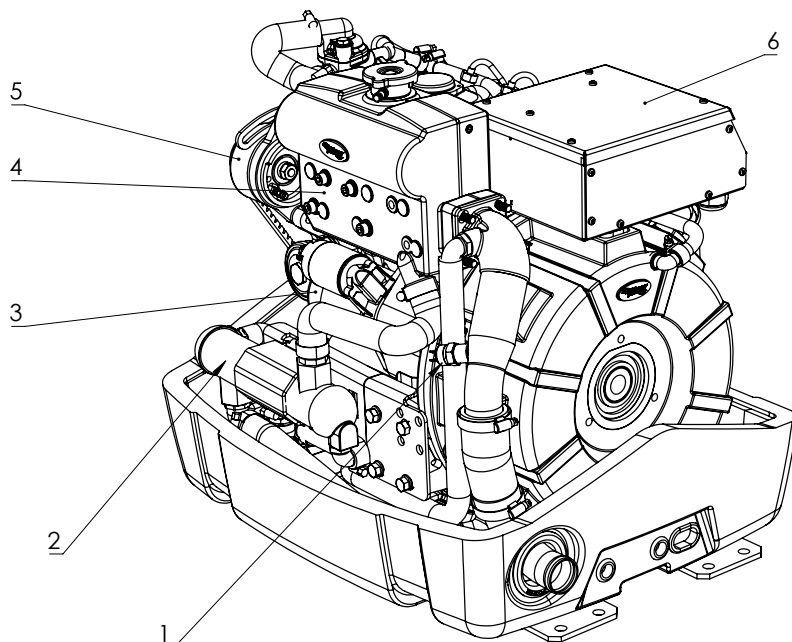
## 2.4 MAIN COMPONENTS TO IDENTIFY

### 2.4.1 Piccolo 2/8



1. oil filter
2. coolant drain
3. oil dipstick
4. fuel injection pump
5. raw water pump
6. fuel line
7. injector (glow plug behind)
8. air filter housing
9. coolant filler cap
10. oil filler cap
11. thermostat cover
12. V-belt
13. stop lever
14. stop solenoid
15. speed control lever
16. syphon hose

Figure 2: Piccolo 2 and Piccolo 8, service side

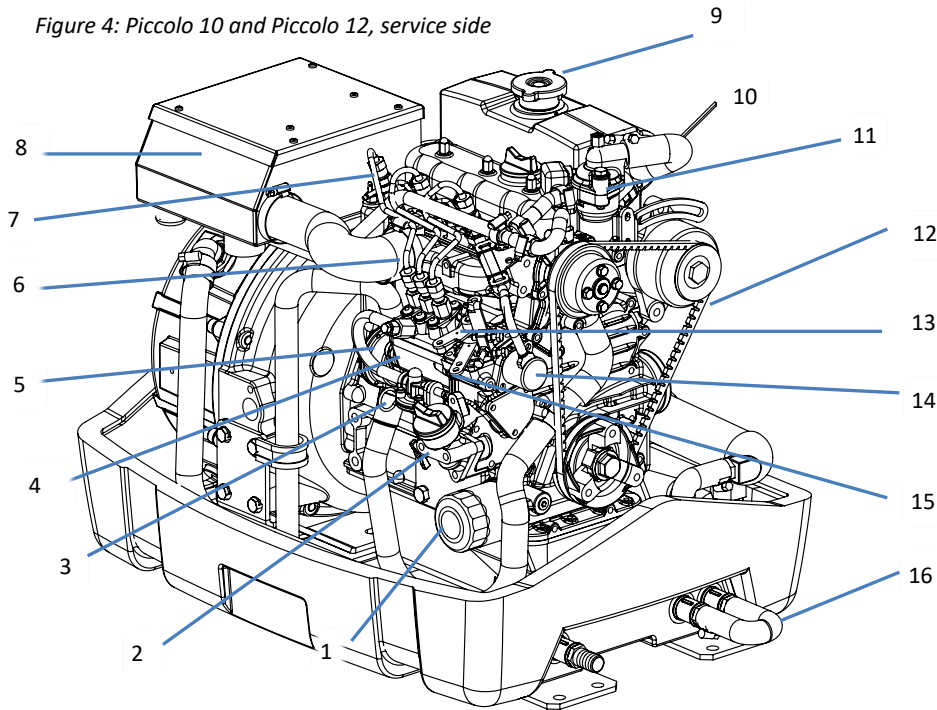


1. exhaust temperature
2. cooler
3. starter
4. exhaust manifold
5. alternator
6. air filter housing
7. permanent magnet alter
8. exhaust

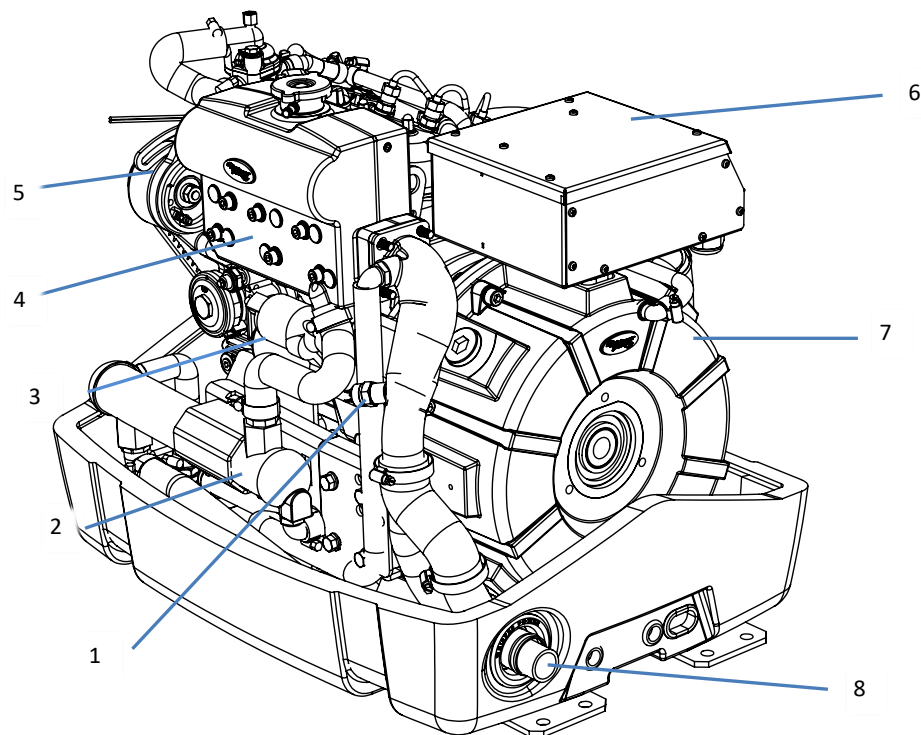
Figure3: Piccolo 2 and Piccolo 8, reverse view

2.4.2 Piccolo 10/12

Figure 4: Piccolo 10 and Piccolo 12, service side



- 1. oil filter
- 2. coolant drain
- 3. oil dipstick
- 4. fuel injection pump
- 5. raw water pump
- 6. fuel line
- 7. injector (glow plug behind)
- 8. air filter housing
- 9. coolant filler cap
- 10. oil filler cap
- 11. thermostat cover
- 12. V-belt
- 13. stop lever
- 14. stop solenoid
- 15. speed control lever
- 16. syphon hose

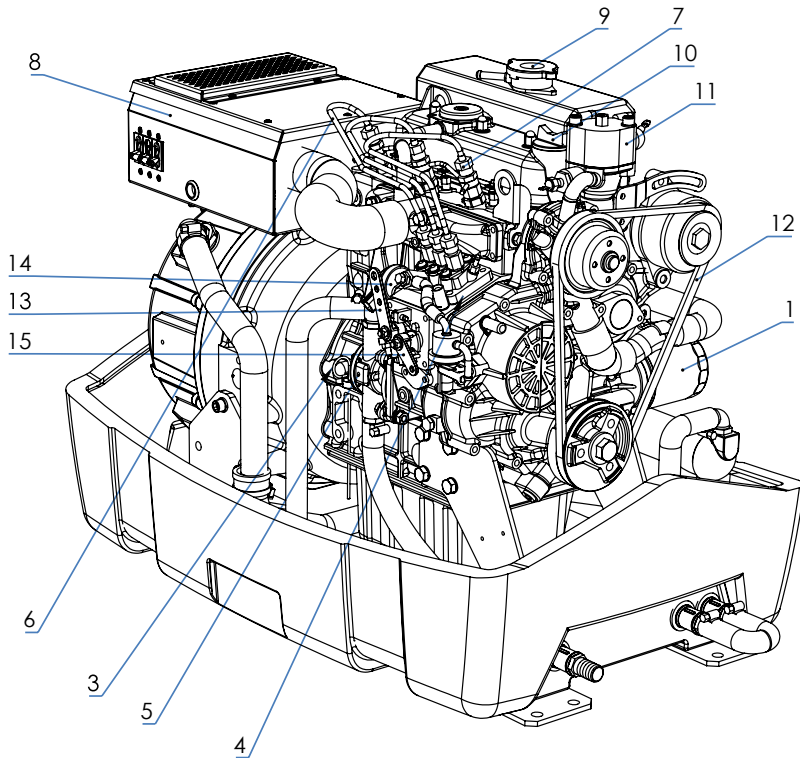


- 1. exhaust temperature switch
- 2. cooler
- 3. starter
- 4. exhaust manifold
- 5. alternator
- 6. air filter housing
- 7. Permanent Magnet Alternator
- 8. exhaust

Figure 5: Piccolo 10 and Piccolo 12, reverse view

2.4.3 Piccolo 3+ /15

Figure 4: Piccolo 3+/15, service side



1. oil filter
2. coolant drain
3. oil dipstick
4. fuel injection pump
5. raw water pump
6. fuel line
7. injector (glow plug behind)
8. air filter housing
9. coolant filler cap
10. oil filler cap
11. thermostat cover
12. V-belt
13. stop lever
14. stop solenoid
15. speed control lever

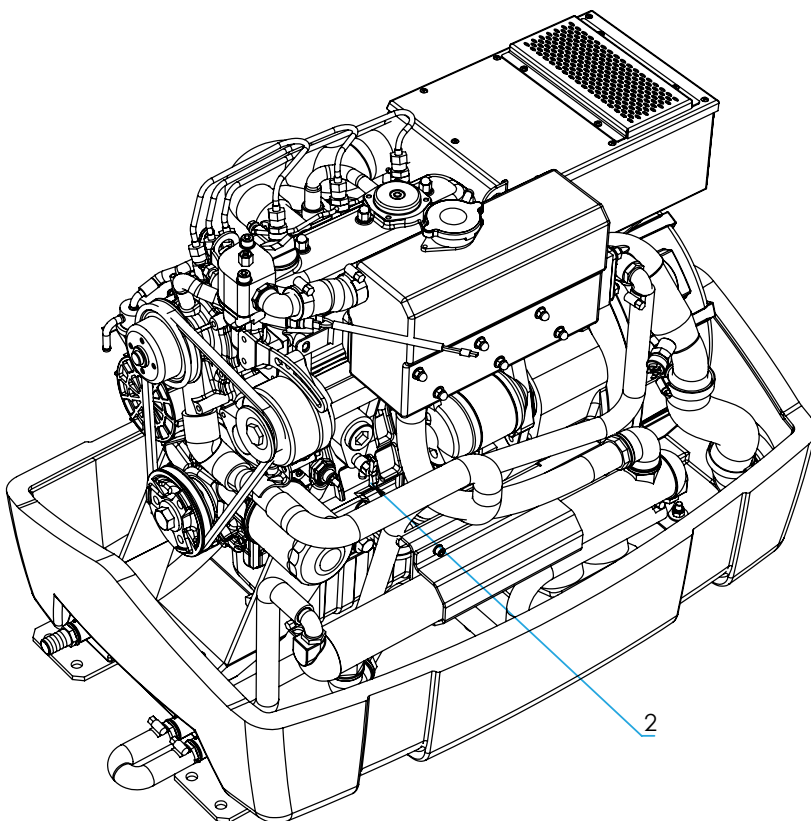
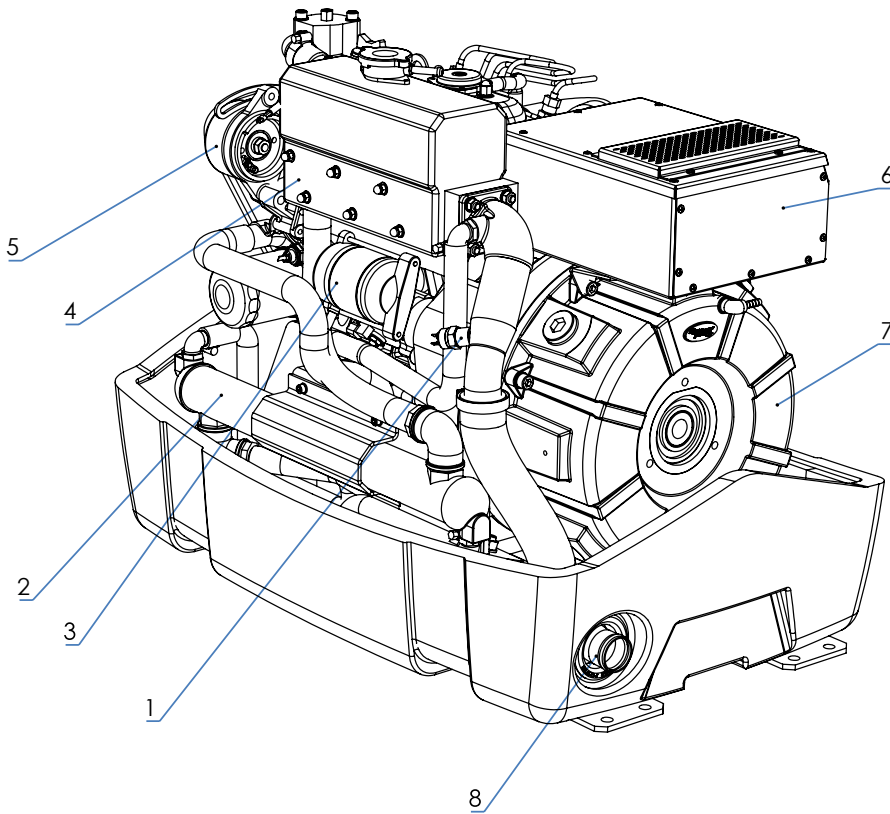


Figure 5: Piccolo 3+ /15, reverse view



1. exhaust temperature switch (behind panel)
2. cooler
3. starter
4. exhaust manifold
5. alternator
6. air filter housing
7. Permanent Magnet Alternator
8. exhaust

## 3 TECHNICAL INFORMATION

### 3.1 EXPLANATION OF FUNCTIONAL PARTS

WhisperPower genverters are highly advanced systems. They combine new technologies from various fields such as engine technology, PM alternator technology and, in the PowerCubes and Power Modules, inverter technology.

#### 3.1.1 Control system

The standard electrical engine control system is 12 Volt negative earth. Non-earth return (ungrounded) is available as option. Check your identification data to determine which system is being used. Either system is of the "energize to run" type: it stops when the 12 V DC voltage is taken away.

#### 3.1.2 AC Permanent Magnet Alternator

The Three Phase Permanent Magnet Alternator is incorporated in the flywheel and has a very high efficiency of at least 94%. The output of the power from the alternator will be between 250V-300Hz and 400V-500Hz, depending on the engine speed. As the efficiency is very high, little cooling is needed. The alternator and the engine use the same cooling system.



#### WARNING

The alternator magnets are very powerful. Prevent drilling chips or metal parts from entering into the sound shield as these may be drawn into the alternator and cause the alternator to fail.



#### WARNING

The alternator's magnetic field may cause false compass readings. This should be taken into account when installing a compass.

#### 3.1.3 Engine

The genverter has a Kubota engine fine-tuned by WhisperPower. The engine has indirect injection and was designed to meet the highest emission standards. The cooling system can be used for CHP (Combined Heat and Power production). Contact WhisperPower for additional information.

Further details are in the data sheet in 3.2.

#### 3.1.4 Starter battery charging

The engine is equipped with a 12.5A (Piccolo 8) or 40A (Piccolo 10) alternator for charging the starter battery. The voltage is regulated at  $\pm 14.4V$ .

#### 3.1.5 Piccolo PMG control

WP-PMG POWER MODULE GENVERTER (PICCOLO 8)

Through the WP-PMG Power Module Genverter, the user can control and operate the genverter.

By pushing the START button on the PMG control panel (refer to Figure 5) for two seconds, the control system is activated and will start the engine automatically. Pushing the STOP button (again hold two seconds) will stop the engine and the electrical system will be deactivated.

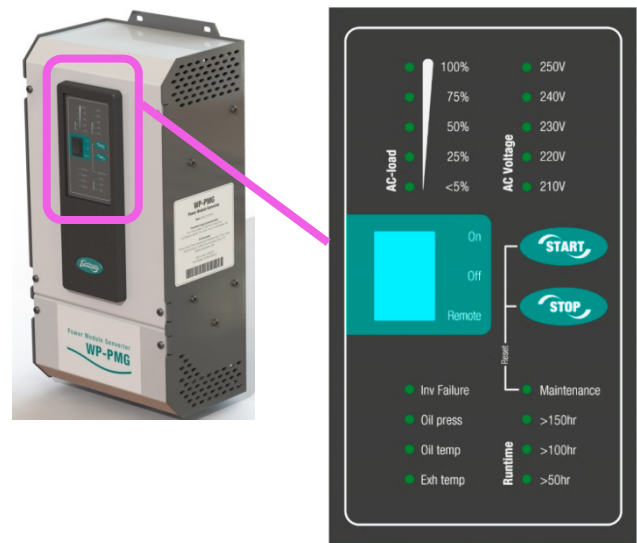


Figure 5: WP-PMG control panel (230V model shown)

The various control panels indicate the AC load. As far as PMG operation and functionality is concerned, the reader is referred to the PMG User's Manual.

#### 3.1.6 Piccolo DDC and Piccolo 10, 12 and 15 control

##### 3.1.6.1 Alarms and shut-down

In the event of malfunctioning this will be indicated by the failure light, details will be shown on the display and the engine will be shut down. Three parameters are being monitored: oil pressure, oil temperature and exhaust temperature.

Exhaust temperature too high indicates that the injection of cooling water into the exhaust is being blocked.

All alarm switches are closed when no malfunction occurs. A contact is cut in the event of an alarm. This means that the genverter will not work when the alarm switches are broken or when there is a loose wire. The system therefore is intrinsically safe. The panel will display details about the alarm.

##### 3.1.6.2 Control

The genverter can be operated by push buttons on the panel on the unit or on the remote control. Pushing the START button will activate the control system and will start the engine automatically. Pushing the STOP button will stop the engine and the electrical system will be deactivated. When using the genverter in an automatic mode the engine will start when power is demanded, e.g. because of low batteries or another "event" that triggers the starting operation. Various automatic modes are available through the remote control panel. Refer to the DDC Operating manual for more information.

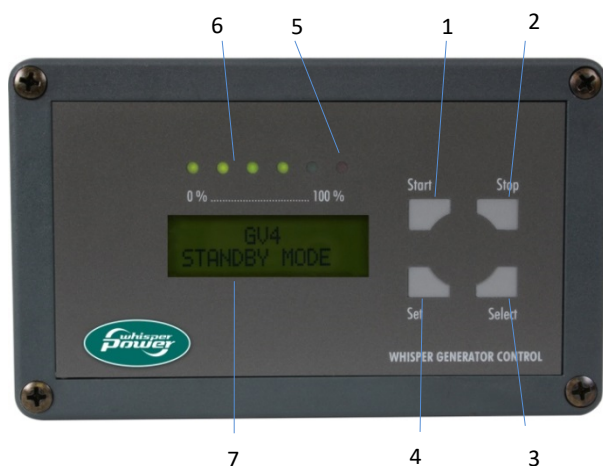


Figure 6: Local control panel

### 3.1.6.3 Remote control panel

The remote control panel is used to make the various settings. It also displays parameters such as Voltage, Hz, Amps, and many others (refer to the DDC manual for details).

The connection between the remote control panel and the generator control unit is made using plug-in connectors. A 10 m communication cable is in the standard supply. If necessary, a longer or shorter cable can be supplied. Multiple remote control units can be put in parallel by using the connectors on the back of the units (refer to installation instructions).



1. Start button
2. Stop button
3. Select button
4. Set button
5. Failure lamp
6. Load indicator
7. Display

Figure 7: Digital diesel remote control panel

### 3.1.7 Fuel Specification

The engine must only be used with diesel fuel oil conforming to the standards for use in modern diesel engines. It is essential that the fuel should be free from water and contaminants. The following specifications must be complied with:

Diesel Fuel Specification	Location
EN590 Biodiesel: EN 14214	European Union
BS 2869-A1 or A2	UK
No. 2-R, No 1-D, ASTM D975-94 Biodiesel: ASTM D-6751	USA
GB252	China
ISO 8217 DMX	International
JIS K2204 Grade No.2	Japan
KSM-2610	South-Korea

### Diesel pre-heater

Optionally, a diesel pre-heater can be installed. This is a useful in extremely cold conditions. In this case the fuel filter will be inside the enclosure and there will be a heating element upstream of the filter preventing the formation of paraffin crystals in the diesel and clogged filters as a result. The system's operation is temperature-dependent and is controlled by a separate switch to turn it "on" or "off".

### 3.1.8 Biodiesel

The use of diesel fuels to a maximum blend of 5% (by volume) of Fatty Acid Methyl Esters (FAME) known on the market as B5 diesels is allowed as far as these fuels comply with EN 14214 (Europe) or ASTM D-6751 (USA), as appropriate.

Biofuels should be supplied by recognized and authorized suppliers only. "Self-blended fuels" may cause engine damage and will affect warranty.

Please note that free methanol in FAME may result in corrosion of aluminium parts. Free water in FAME may result in choked fuel filters and injectors and may result in increased bacterial growth.

### 3.1.9 Lubricating oil

1 Specification:

The oil must be suitable for oil changes as specified in the maintenance chapter. The engine must be run on heavy duty lubricating oil meeting the requirements of API class CF, CF-4, CH-4, CI-4 or CI-4 plus . It is recommended to use lubricating oil from WhisperPower or a well-known brand.



It is very important to use the correct oil specification. Do not mix different types of oil. Higher API class oils and synthetic oils are to be avoided.

2 Oil viscosity:

We recommend 10W40 multi grade oil. In very cold or hot conditions, a special grade could be applied according to the Viscosity Chart below:

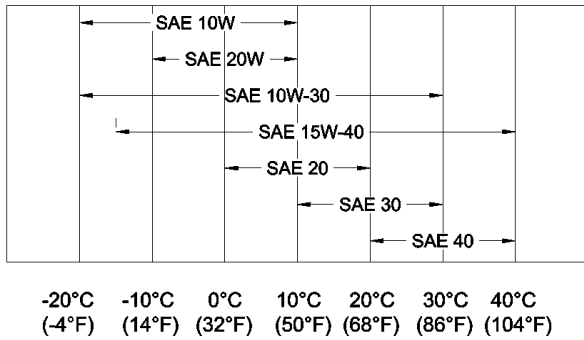


Figure 8: Viscosity chart

### 3 Oil capacity:

The content of the crankcase and oil filter, is as specified below (approximate data):

Piccolo 2/8	2.1 L
Piccolo 3/10/12	3.2 L
Piccolo 3+/15	4.0 L



Do not overfill with lubricating oil as this may have a detrimental effect on engine performance.

### 4 Lubricating oil pressure:

- Minimum at idle: 49 kPa (0,5 kgf/cm<sup>2</sup> - 7psi).
- Normal at 3000 rpm: between 147 and 490 kPa (1,5 up to 5 kgf/cm<sup>2</sup> - 21 up to 71 psi).
- Minimum at 3000 rpm: 98 kPa (1,0 kgf/cm<sup>2</sup> - 14 psi).

### 3.1.10 Cooling liquid

The generator is cooled by cooling liquid. Use only long-life type G12+ cooling liquid in order to minimize maintenance. The capacity of the engine's cooling system is approximately 3.5 litres. When the cooling is based on keel cooling or radiator cooling the capacity of these coolers and piping has to be taken into account.

Initially, the engine can be filled via the filling cap on the exhaust manifold. Fill up till the level is just below the filling cap. Filling of the alternator cooling system and additional filling of engine cooling system has to be done via the expansion tank. When the engine is on temperature the liquid will expand and the redundant liquid will be pressed into the expansion tank. This tank has to be filled up till the mark.

## 3.2 TECHNICAL DATA

Genverter Model					
	Piccolo 8	Piccolo 8 with DDC	Piccolo 10	Piccolo 12	Piccolo 15
	genverter based on Kubota Z482	genverter based on Kubota Z482	genverter based on Kubota D722		genverter based on Kubota D1105
<b>General information</b>					
System output	8kVA/6kW		10kVA/8kW	12kVA/10kW	15kVA/12kW
Peak power 200msec	200%	200%	200%	200%	200%
Rpm range	2500 .. 2800rpm	2500 .. 2800rpm	2500 .. 2800rpm	2800.. 3300rpm	2000 .. 2600rpm
Low rpm setpoint	1800rpm	1800rpm	2400rpm	2400rpm	1500rpm
Max rpm setpoint	3200rpm	3200rpm	3200rpm	3600rpm	3000rpm
Typical rpm	2400 .. 2600				2000 .. 2600rpm
Sound level @ 7m	54dBA				58dBA
Sound level @ 1m	65dBA				74dBA
Cooling	Intercooling				
Exhaust	Wet type, 40mm (except ..030)				
Speed governor	Mechanical				
Starter battery capacity	12V / 80Ah				12V / 90Ah
Standard supplies	fuel filter, fuel lift pump, user and installation manuals (models featuring DDC: digital remote panel, 10 m cable)				
Available options	installation kits, non-earth return (ungrounded), spare part kit, longer or shorter DDC cables				
<b>Mechanical specifications</b>					
Dimensions (l x w x h)	660 x 550 x 662mm		770 x 550 x 622mm	875 x 570 x 690mm	
Dry weight incl. sound shield	155kg [keel-cooled: 147kg]		175kg [keel-cooled: 167kg]	187 kg [keel-cooled: 200kg]	
PMG dimensions (h x w x d)	420 x 196 x 148mm	451 x 200 x 174mm		451 x 200 x 174mm	
PMG weight	7.2kg	9.9kg		22.25 kg	
Color	RAL9010 signal white, RAL9020 metallic black				
<b>Engine</b>					
Engine model	Kubota Z482		Kubota D722	Kubota D1105	
Emission Regulation	Tier 4, EPA				
Engine performance intermittent SAE J1349	9.32kW @ 3600rpm		14.0kW @ 3600rpm	18.7kW @ 3000rpm	
Engine performance continuous SAE J1349	8.05kW @ 3600rpm		12.15kw @ 3600rpm	16.4kW @ 3000rpm	
Number of cylinders	2		3	3	
Displacement	0.479 l		0.719 l	1.123 l	
Bore & stroke	67 x 68mm			78 x 78.4mm	
Air intake system	Naturally aspirated				
Air consumption	< 0.95 m <sup>3</sup> /min		< 1.22 m <sup>3</sup> /min	1.46 m <sup>3</sup> /min	
Fuel oil	Diesel fuel oil (ASTM No. 2-D)				
Fuel consumption @ full load	275 g/kWh				
Engine cooling	Indirect water cooled (keel-cooling closed)				
Alternator	12,5A		40A	40A	
Operating principle	Energize to run				
Starter power requirement	0.8 kW				1.0 kW
Nominal operation voltage	12VDC				
Monitoring and control	ECU in Power Module	Digital Diesel Control	Digital Diesel Control	Digital Diesel Control	
Protections	Oil temperature and pressure, exhaust/coolant temperature [dry/wet exhaust]				
Local control	PMG only	Start/stop & maintenance			
Service interval oil change	200 h				
Lubricant	At least CF				
Oil capacity	Approx. 2.1 l	Approx. 3.2 l	Approx. 3.8 l	Approx. 4.0 l	



Alternator				
Type	Permanent Magnet Alternator PM			
Model	HV/SAE5, 300VAC, 400Hz, 15A	HV/SAE5, 300VAC, 400Hz, 15A	HV/SAE5, 300VAC, 400Hz, 15A	HV/SAE5, 450VAC, 400Hz, 40A
Output voltage per phase (Delta), no load @ 25°C	118V @ 1800rpm 236V @ 3600rpm	118V @ 1800rpm 236V @ 3600rpm	118V @ 1800rpm 236V @ 3600rpm	240V @ 1800rpm 450V @ 3000rpm
Output frequency	240Hz @ 1800rpm 480Hz @ 3600rpm	240Hz @ 1800rpm 480Hz @ 3600rpm	240Hz @ 1800rpm 480Hz @ 3600rpm	240Hz @ 1800rpm 400Hz @ 3000rpm
Nominal power (torque)	40 Nm	40 Nm	40 Nm	60 Nm
Configuration	3-phase, Star (for WP-PMG) or Delta (for DC PowerCube)			
Nominal efficiency	94%			
Cooling	Radiator cooling			
Nominal coolant temperature	40 .. 80°C			
Bearing, coupling	Single end bearing, flex plate			
Rotor concept	Inner rotor type			
Number of phases	3-phase			
Insulation class	H			
Maximum allowed winding temperature	175°C			
High voltage test	3000V			
Regulations and Directives				
CE conformity				
EMC directive	EMC 2004/108/EC			
Emission	EN 55022 (Class A/B household/light industrial use)			
Harmonics	EN 61000-3-2 (<16A, Class A)			
Dips, variations, flicker	EN 61000-4-11, EN6100-3-3 (designed to meet)			
Immunity	EN 61000-6-2, marine suitable or better			
LV directive	LVD 2006/95/EC			
Safety	EN 60950 Safety of information technology equipment			
	EN 60335-1 Safety of household and similar electrical appliances, Part 1			
	EN 60335-2-29 Household and similar electrical appliances – Safety - Particular requirements for battery chargers			
Vibration and shock levels (designed to meet)	EN 68-2-6, 5-50Hz velocity, max. 20mm amplitude, suitable for marine and mobile high vibration environments			
E-marking (designed to meet)	Automotive EMC 2004/104/EC			
EN (designed to meet)	EN 60945			
ABYC (designed to meet)	American Boat & Yacht Council			
UL or CSA (designed to meet)	UL 458			

## 4 OPERATION

### 4.1 GENERAL

The genverter is operational after full installation and filling up with fuel, engine lubricating oil and cooling liquid, connecting the battery and connecting the digital remote control panel, if applicable.

### 4.2 PROGRAMMABLE SPEED

At the time of commissioning, the engine rpm are set to meet the output requirements of the installation.

### 4.3 CONTROL PANELS

The genverter is usually operated either from the PMG control panel (Piccolo 8) or from the DDC remote control panel.

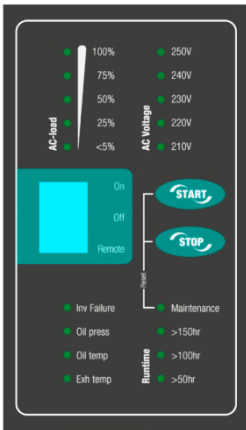
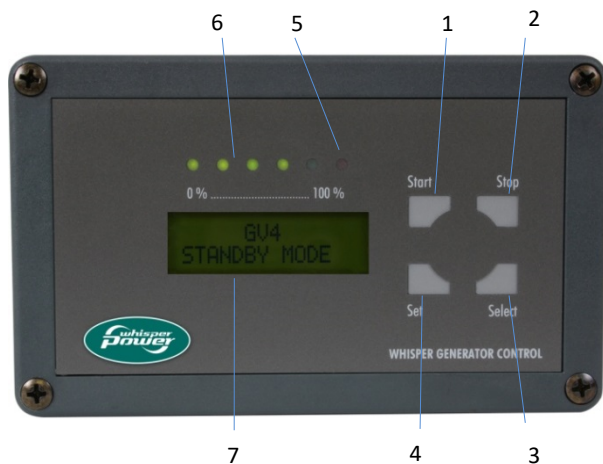


Figure 9: WP-PMG local panel (230V version shown)



1. Start button
2. Stop button
3. Select button
4. Set button
5. Failure lamp
6. Load indicator
7. Display

Figure 10: Digital diesel remote control panel

## 4.4 OPERATING INSTRUCTIONS

### 4.4.1 Daily check of oil level

Be sure to keep the oil level between upper and lower limits of the oil gauge. Too much oil may cause a drop in output or excessive blow-by gas, while too little oil may seize the engine's rotating and sliding parts.

#### Procedure:

- 1 Check the engine oil level before starting or more than 5 minutes after stopping the engine.
- 2 Remove the oil dipstick, wipe it clean and reinsert it. Take the dipstick out again, check the oil level gauge and reinsert the dipstick.

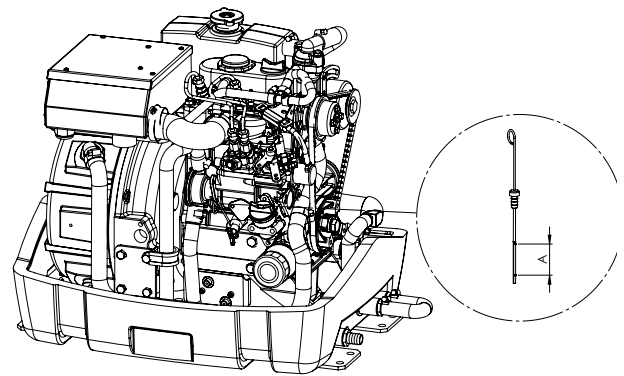


Figure 11: Oil dipstick (similar on all models)

- 3 If the oil level is too low, remove the oil filler plug, and add new oil to the prescribed level.
- 4 After adding oil, allow the oil to come down to the oil pan before checking the oil level again.

### 4.4.2 Summarized operating instructions (daily use)

Routine "pre-start" checks:

- 1 Check oil level and cooling liquid level.
- 2 Water inlet (all valves open).
- 3 For systems incorporating PMG: power source selector switch (off/shore power/generator power) in "off" position, or switch of all consumers in the usual way. If a Whisper Switch of Transfer System Switch is installed, this operates automatically.
- 4 Switch on battery switch (if installed).
- 5 Fuel valve: open.

Starting:

Push the start button and hold for one (DDC) or two (PMG) seconds to initiate the fully automatic starting procedure.

In operation checks:

- 1 Check for abnormal noise or vibration
- 2 Check the output parameters on the remote control display
- 3 Check sea water flow at exhaust outlet

- 4 For systems incorporating PMG: switch power source selector to "generator" position. If a Whisper Switch of Transfer System Switch is installed, this operates automatically.
- 5 Before loading the generating set up to its maximum, have it run warm. Continuous load should be restricted to 70 % of maximum load.

#### Stopping the genverter:

- 1 If the genverter has been running under full load for a longer period, do not shut it down abruptly. Reduce the electrical load to about 30% of the rated load and let it run for around 5 min.
- 2 Press the STOP button and hold for one (DDC) or two (PMG) seconds.
- 3 Close the inlet sea water valve.
- 4 Switch to another AC power source, if available.

#### 4.4.3 Extended operating instructions

##### Check when starting the first time or after a longer period of rest:

- 1 If there is any damage caused by transport or installation.
- 2 Check if the installation conforms to the installation instructions.
- 3 Ensure the engine is free to turn without obstruction.
- 4 Check all hoses and hose connections for leaks.
- 5 Check all cables and terminal connections.

##### Routine "pre-start" checks:

- 1 Check engine oil level. The genverter switches off in the event of insufficient oil pressure. Even when the oil level is too low, the oil pressure can be high enough not to trip an alarm. Do not run the engine with the oil below the lowest mark, because a smaller volume of oil will become contaminated considerably quicker than a larger volume. Moreover, a low level may affect cooling. Therefore, we recommend daily oil-checks. Check oil level prior to starting the engine or at least 5 minutes after the engine has stopped.
- 2 Check for leakages.
- 3 Switch off all devices.
- 4 Switch on the battery switch (if installed).

##### Starting the genverter:

By pushing the start button and holding it for one (DDC) or two (PMG) seconds, the electric system is activated. You can monitor the procedure on the display of the remote control panel. First, the fuel pump will prime the fuel for a few seconds (settable); the starter will then crank the engine until it starts. While starting the alarms are blocked (this is

achieved by pushing the Start button). The alarms are reactivated after 10 seconds.

Warm up the engine without load for 3 minutes. A restart protection prevents cranking the engine when it is already running, which could cause damage.



Never use ether or gasoline to facilitate a cold start as it could damage the engine.

##### Checks once the engine is in operation:

- 1 Check for abnormal noise or vibration.
- 2 Check the output parameters on the remote control display.
- 3 Observe the exhaust at the rated load.

The exhaust must be free from soot. Do not allow the engine to run with visible smoke from the exhaust without investigating the cause, as this may result in an expensive breakdown.

##### Engine load during longer operation:

During the first 50 hours of running, the continuous load should be restricted to 70 % of the maximum load. Running at no load or light load for long periods in the first 50 hours may cause cylinder glazing and high oil consumption.

Avoid overloading the genverter. Overloading occurs when the electrical load (demand) is so high that by the diesel engine has trouble driving the alternator. It causes the engine to run rough, while using oil and excessive fuel and producing soot. The engine may even stop. The genverter should therefore be loaded at the maximum rated power for short periods (2-3 hours) only! The high peak current is meant for the ability to start electrical devices that need a high current for starting especially electric motors and compressors (from a still stand state).

In order to prolong the genverter's life expectancy, the nominal electrical demand of the system should not exceed 70% or the genverter's rated maximum load. Please note this when switching on your electrical equipment! Nevertheless, the genverter is designed so as not to overheat, even under extreme conditions.

Do not run the genverter for very long periods at no load or at very low load. When this is necessary, increase the load to at least 70% for one hour in 10 hours. Long term running at too low load will cause the exhaust to be choked by carbon (soot).



Neither remove the battery while the engine is running nor remove any electrical cable while the battery is connected to the circuit. Only disconnect the battery with the engine stopped and all switches in "OFF" position.

**Stopping the genverter:**

- 1 Avoid stopping the genverter abruptly after a long period of operation at high load. Prior to switching off the genverter, decrease the load (i.e. turn off most electrical consumers) and let the genverter run at low load for approx. 5 minutes to allow the engine to cool down sufficiently. Another reason to switch off electrical consumers prior to stopping the genverter is the voltage drop that occurs as the engine comes to a halt.

If the genverter is operating in a hot environment and is not allowed to cool down, excessive heat in the engine may trip

the "high temperature" alarms. This will prevent restarting of the engine for some time.

- 2 Press the STOP button for one (DDC) or two (PMG) seconds.
- 3 Switch to another 230V power source, if available.



If the engine is not running and the 'failure' and 'charging' LEDs are blinking, press the stop button in order to prevent the starter battery from being drained.

## 5 MAINTENANCE

### 5.1 MAINTENANCE INTERVALS

Service level			break-in	1	2	3	4
		before each start	after 35-50 h	every 200 h/ 6M*	every 400 h/ 12M*	every 800 h/ 24M*	every 1600 h/ 36M*
Lubricating oil	check oil level	●					
	change oil and oil filter cartridge		●	● (12M)	●	●	●
	check lubricating oil pressure						□
Cooling system	check cooling liquid level	●					
	check and clean radiator (if installed)				●	●	●
	replace water pump impeller				●	●	●
	check hoses					●	●
	check cooling system						●/□
Exhaust	check exhaust		●				
Nuts & bolts	check all and tighten where necessary		●				
Electrics	check all electrical connections		●			●	●
	check/adjust V-belt tension			●	●	●	●
	check battery (acid level, connections)			●	●	●	●
Fuel system	drain water from tank			●	●	●	●
	replace fuel filter				●	●	●
	check fuel hoses					●	●
	check injection nozzle(s) and injection pressure						□
	check injection pump						□ (3200h)
Air supply	check air strainer and filter element				●	●	●
Cylinder head	retighten cylinder head bolts and readjust valve clearance					●/□	
* Whichever comes first. ● Can be done by user. Corrective action to be taken whenever necessary. □ WhisperPower service centre to be contacted.							

### 5.2 ALTERNATOR

The alternator does not require maintenance.

### 5.3 ENGINE

#### 5.3.1 Preliminary instructions

The first service on the engine should be carried out after 50 running hours. This period also applies after a major overhaul. During the first 50 hours, the engine should receive special attention:

- Long periods of light or no load running in the first 50 hours may lead to cylinder glazing and high oil consumption.
- For the same reason it is of the greatest importance to use the right oil specification.

#### 5.3.2 Bleeding the fuel lines

When the engine is started up for the first time or after it has run out of fuel, the fuel system may need to be primed. Push the start button activating the electric system and activating the fuel pump. When more time is needed to bleed, hold the "Start/Stop" button on the local control panel (so not on the remote panel). While the button is held, the pump will work, but the unit will not start. Hold as long as necessary to bleed the system

### 5.4 REGULAR MAINTENANCE

#### 5.4.1 General precautions

All regular maintenance can be carried out when the enclosure is open. When oil and dirt have gathered in the enclosure, measures have to be taken to prevent oil from being spilled.



**CAUTION!**  
Risk of personal injury, fire and/or electric shock

- Be sure to conduct daily checks, periodic maintenance, refuelling or cleaning on a level surface with the engine shut off and the control system fuse removed.
- Do not touch muffler or exhaust pipes while they are hot; Severe burns could result.
- Allow the engine to cool down sufficiently, especially before changing the oil or the oil filter cartridge. Oil can be hot and cause burns.
- Contact with engine oil can damage your skin. Put on gloves when using engine oil. If you come in contact with engine oil, wash it off immediately.
- When changing engine oil, dispose it according to local regulations.
- When cleaning any parts, do not use gasoline but use regular cleanser.
- Always use proper tools, that are in good condition. Make sure you understand how to use them, before performing any service work.
- Be sure to tighten all bolts lest they should be loose. Tighten the bolts by the specified torque.
- Do not put any tools on the battery, or battery terminals may short out. Severe burns or fire could result. Detach the battery from the engine before maintenance.

#### 5.4.2 Servicing after break-in

- Change engine oil and replace the oil filter (refer to 5.4.3).
- Check and tighten nuts, bolts, and unions, paying particular attention to the fuel system and using the torque chart below.

Standard torque chart			
Size	M6x1.0	M8x1.25	M10x1.5
Nm*	10.8±1.0	25.5±2.9	49.0±4.9
* Apply 80% torque when tightening bolts to aluminium alloy.			

- Observe the exhaust at the normal full load. The exhaust must be free from soot. Do not allow the engine to run with a dirty exhaust without investigating the cause as this may result in an expensive breakdown. When ramping up RPM the engine will probably produce some smoke. After stabilizing on the right RPM for the load the exhaust should be free from soot.
- Check the electrical connections.

#### 5.4.3 Changing engine oil and oil filter cartridge

- 1 Run the engine until it is on temperature, stop it and let it cool down sufficiently to allow safe working.
- 2 Drain oil through the dipstick hole using a vacuum pump as commonly used in garages.

- 3 Put some tissues under the oil filter cartridge.
- 4 Remove the old cartridge with a filter wrench.
- 5 Apply a film of oil to the gasket for the new cartridge.
- 6 Screw in the cartridge by hand. When the gasket contacts the seal surface, tighten the cartridge not too firmly, by hand.
- 7 Remove the oil filler cap on top of the engine, refill the engine with oil (refer to 3.1.9 for specifications and quantity). Allow the oil to come down to the oil pan and check the oil level.
- 8 The oil level should be as close as possible to the maximum level. Add (or drain) oil as necessary.

NOTE: When the genverter runs less than 200 hours a year, the oil should be changed yearly.

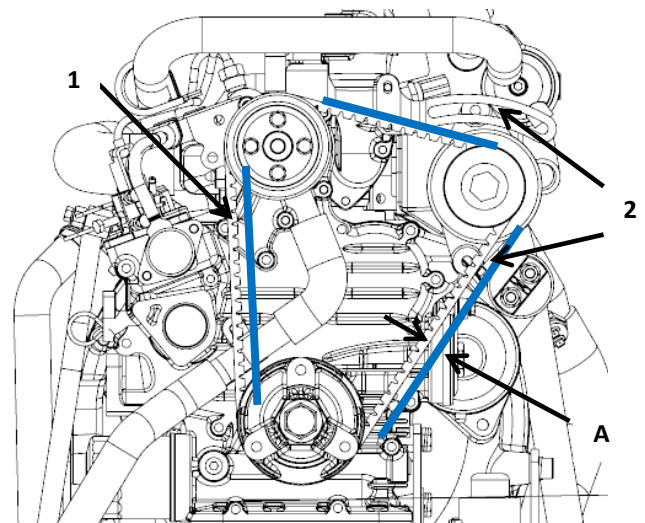
#### 5.4.4 Checking the battery

- Check battery terminals for corrosion
- Check the battery acid level (not applicable when sealed batteries are used).

#### 5.4.5 Adjusting the V-belt tension

Before adjusting belt tension, inspect the belt for glazing, cracks, or dryness. A worn or damaged belt should be replaced.

- 1 Apply moderate thumb pressure to the belt between the pulleys. When the belt is pressed in the middle of the span, the deflection should be between 7 mm and 9 mm.
- 2 If the tension is incorrect, loosen the alternator mounting bolts and, using a lever placed between the alternator and the engine block, pull the alternator out until the deflection of the belt falls within acceptable limits, then tighten the alternator mounting bolts.



- (1) Alternator belt (A) 7 mm to 9 mm under a load of 10 kgf  
(2) Bolt and nut

Figure 12: Alternator belt (similar on all models)

#### 5.4.6 Draining water from the fuel tank



When handling fuel, make sure there are no open flames or other fire hazards near the engine. Wipe off any spilled fuel completely. Spilled fuel can ignite and cause fire.

If fuel gets mixed with particles of foreign matter such as dust, dirt, or water, it can cause not only a decrease of output but also malfunctions of the fuel system. To avoid such problems, drain fuel tank as described below.

1. Position an oil pan (capacity of 2 litres or more) under the drain cock of fuel tank.
2. Open the drain cock of fuel tank and drain at least 1 or 2 litres of fuel.
3. Make sure that all water and particles of foreign matter are discharged with the fuel. Close the drain cock.

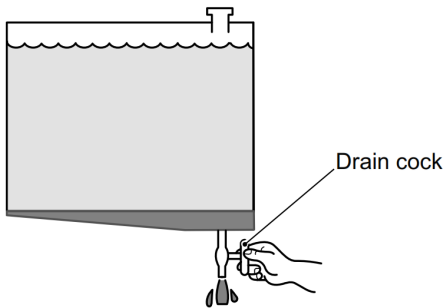


Figure 13 : Draining water from fuel tank

#### 5.4.7 Replacing the raw water pump impeller

Both the impeller and the gasket between the pump case and the cover should be replaced. So when ordering the impeller, order a gasket, too (see Section 7, Spare parts). Remove the cover to get access to the impeller. Remove the old impeller with the help of two screwdrivers. Install the new impeller and add some grease. Turn the blades in the direction of rotation of the pump i.e. anti-clockwise looking at the impeller.

On M-GV 8 Piccolo genverters, the pump housing needs to be taken from the engine in order to gain access to the cover. This is achieved by removing the bolts shown in Figure 14. Remount the pump after changing the impeller.

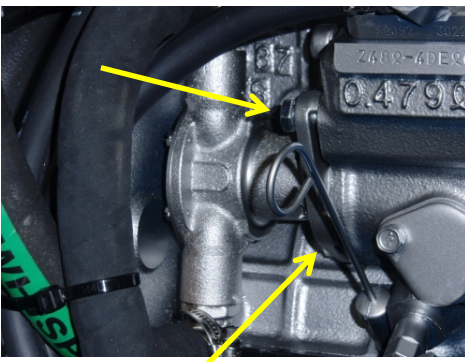


Figure 14: Pump housing: bolts to be unscrewed

#### 5.4.8 Replacing the fuel filter

Filter change depends on the level of contamination of the fuel, but should be done at least every 400 running hours. A clogged filter results in a lack of output of the engine and irregular

running. Before changing the filter, clamp off the supply line. The arrow on the filter housings indicates the flow direction. Remove the hoses from the old filter and fit the new filter.

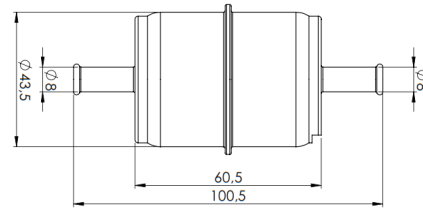


Figure 15: Fuel filter (similar on all models)

#### 5.4.9 Changing the air filter element

The genverter is standard supplied with an air inlet filter element. Filter change depends on air quality.

##### Procedure:

1. Unscrew the cover in order to gain access to the filter.
2. Clean the foam around the element with compressed air and clean the strainer element.
3. Check the air filter and replace it when necessary (do not clean the air filter element).
4. Put back the cover and retighten the screws.

#### 5.4.10 Checking hoses and electrical connections

Visually check cooling hoses, fuel hoses and electrical wiring, paying particular attention to abrasion, wear and corrosion. Have items replaced when necessary.

#### 5.4.11 Servicing after 800 hours and beyond

This includes the items described above, but also procedures requiring a professional diesel mechanic. Contact your WhisperPower Service Centre. Please find some essential data for Kubota-based genverters below:

- Valve clearance: from 0.145 mm to 0.185 mm when the engine is cold.
- Rocker arm bracket nut M6 × 1: from 9.81 nm to 11.2 Nm
- Cylinder head screw M8 × 1.25: from 38 Nm to 42 Nm.

### 5.5 PUTTING OUT OF SERVICE

When not using the genverter for a longer period it is recommended to perform an engine preservation procedure.

1. Clean the engine.
2. Loosen the fuel suction pipe and fuel return and put them in a can with preservation diesel fuel.
3. Run the engine until it is on temperature, stop it and let it cool down sufficiently to allow safe working.
4. Drain the hot engine oil and refill with preservation oil.
5. Disconnect the battery and store it in a dry place free of frost and charge it regularly.
6. Close inlet and outlet openings with tape.
7. Protect the genverter against the influences of bad weather conditions.

This method of preservation will be sufficient for 6 months. Change oil before using the engine again.

## 6 TROUBLESHOOTING

### 6.1 GENERAL

If any problem should occur, check basic conditions and examine all external wiring, switch gear and circuit breakers. Also check if measuring instruments give the correct value. If in doubt, measure directly on the alternator terminals with an independent instrument.

#### 6.1.1 Piccolo 8

In case of inverter failure or oil pressure, oil temperature or exhaust temperature limit exceeding, the error will be indicated on the PMG local panel (bottom left; refer to Figure 9).

#### 6.1.2 Piccolo DDC version

##### 6.1.2.1 General

If during the measurements mentioned in 6.1 the engine immediately stops after starting and an error code is displayed

at the remote control panel ( "AC VOLTAGE"), the genverter can be restarted by means of a "service start" in the service menu (see "service start" in the user's manual of the Digital Diesel Control). Started this way, the genverter will keep running for 2 minutes before it stops. This offers you the possibility to carry out measurements to investigate the cause of the failure. This procedure should only be carried out by an experienced electrician.

##### 6.1.2.2 Failure codes

A failure code is displayed when a failure at the genverter is detected. A warning code is displayed when a parameter deviates from the setting.

Warning code	Problem
NO WARNING	None (no warning was detected)
LOW STARTBAT	Voltage of the start battery (BAT1) is below setting
NO BAT2	No second battery detected or voltage is below 5V while nominal voltage is set at 12V or 24V (check connections/ fuses/ polarity of the second battery)
LOW BAT2	Voltage of the second battery (BAT2) is below setting
COMMUNICATION	Communication error between the panel and the genverter. Check the cable connection between the panel and the control unit.
OIL PRESS HIGH	The pressure switch in the cooling system indicates a too high oil pressure
OIL PRESSURE	The oil pressure in the lubrication system is too low
ENGINE TEMP	Temperature engine oil temperature is too high

Failure code	Problem
NO FAILURE	None (no failure was detected)
COMMUNICATION	Communication error between the panel and the genverter
LOW BAT1	Starter battery voltage (BAT1) too low
PM ALTERNATOR	PM alternator voltage is not OK
EXHAUST TEMP	Exhaust temperature is too high (water-cooled exhaust only)
OIL TEMP	Oil temperature too high
OIL PRESSURE	Oil pressure failure (lubricating oil pressure too low)
SOFTWARE INV	Software failure in inverter
COMM ERROR INV	Communication between inverter and interface lost
FAILURE TO START	No start signal



## 6.2 ALTERNATOR/ ELECTRICAL FAULTS



Beware of parts which are live! The alternator generates voltage up to 650 V.



Remove 3 A fuse from the control panel while working on the genverter in order to prevent the engine from starting.

### 6.2.1 Troubleshooting table for alternator

PROBLEM	CAUSE	SOLUTION
No output (voltage) at all	• Circuit breaker "off" or faulty fuse	Check switches and fuses and measure directly on the alternator to exclude external causes.
	• Low engine RPM	Check the engine RPM and adjust (refer to special procedures)
	• Alternator failure	Check alternator resistance (1.4Ω). Contact WhisperPower Service
Genverter output voltage too low and RPM above 2500 while running without load	• Alternator failure	Contact WhisperPower Service
Genverter output voltage too low under load, but OK in no load condition	• Genverter is overloaded	Switch off a load; reduce number of consumers
	• Insufficient engine RPM	Increase minimum RPM setting
	• Engine RPM drops when loaded	Refer to "Engine speed drops" section in 6.2

## 6.2 ENGINE FAULTS



Remove 3 A fuse from the control panel while working on the genverter in order to prevent the engine from starting.

### 6.2.1 General

When the engine is not cranking well, starting problems almost always originate from battery problems or poor battery cable connections.

When the engine does crank, starting problems almost always originate from lack of fuel or air bubbles in the fuel pipes.

A failure code is displayed when a hardware failure at the engine is detected.

### 6.2.2 Troubleshooting table for engine

PROBLEM	CAUSE	SOLUTION
Diesel engine fails to crank; no response at all	• Faulty fuse on the control panel	Replace fuse
	• Battery switch off	Switch on
	• Battery completely empty	Charge or replace battery
Diesel engine fails to crank, the starter makes clicking noises, or the engine cranks very slowly.	• Almost certainly this is a battery problem. DDC display, if present, will indicate "LOW BAT1"	Check battery voltage. Recharge the battery. Inspect battery terminals and cables for a good electrical connection (inspect for corrosion, tattered wires, etc.)

PROBLEM	CAUSE	SOLUTION
	<ul style="list-style-type: none"> <li>Wiring system faulty</li> </ul>	During the normal starting process, the battery voltage drops to 11V (with a fully charged battery). If the voltage does not drop during starting, the electrical connection is faulty. If the battery voltage drops lower than 11V, then the battery has been discharged too deep.
	<ul style="list-style-type: none"> <li>Starter broken</li> </ul>	Repair the starter motor
	<ul style="list-style-type: none"> <li>Engine lubricating oil too thick</li> </ul>	Change oil, using a lower viscosity grade
Starter is turning engine smoothly, but engine fails to start	<ul style="list-style-type: none"> <li>Out of fuel or faulty fuel, water in the fuel</li> </ul>	Fill up with fuel or replace with better quality
	<ul style="list-style-type: none"> <li>Fuel solenoid is not opening (no "click" can be heard)</li> </ul>	Check wire connections and circuitry to solenoid. (Refer to DC wiring diagram)
	<ul style="list-style-type: none"> <li>Fuel lift pump is not working</li> </ul>	Check fuel filter and fuel lift pump: clean or replace if necessary
	<ul style="list-style-type: none"> <li>Air in fuel lines</li> </ul>	Bleed air from fuel system (refer to maintenance section)
	<ul style="list-style-type: none"> <li>Blocked injector</li> </ul>	Have the injector tested and cleaned if necessary
	<ul style="list-style-type: none"> <li>Wrong valve clearance</li> </ul>	Adjust valve clearance
	<ul style="list-style-type: none"> <li>Low compression because of dirty valves</li> </ul>	Contact WhisperPower service department for advice
	<ul style="list-style-type: none"> <li>Loss of compression by wear out or damage</li> </ul>	Repair by WhisperPower service
Starter is turning engine smoothly, but engine runs irregularly after starting	<ul style="list-style-type: none"> <li>Faulty glow plug</li> </ul>	Replace faulty glow plug. Consider replacing both or all three taking into account the number of starts completed.
Engine runs irregularly	<ul style="list-style-type: none"> <li>Lack of fuel</li> </ul>	Check fuel supply system: fuel pump and filter
	<ul style="list-style-type: none"> <li>Unsuitable or contaminated fuel</li> </ul>	Fill up with fuel or replace by better quality
	<ul style="list-style-type: none"> <li>Air in the fuel pipes</li> </ul>	Bleed air from fuel system (refer to maintenance section)
	<ul style="list-style-type: none"> <li>Choked fuel filter</li> </ul>	Check fuel filter and replace if necessary
	<ul style="list-style-type: none"> <li>Disturbances on the electrical system/ user side</li> </ul>	Check if electrical load is fluctuating
	<ul style="list-style-type: none"> <li>Faulty fuel lift pump</li> </ul>	Check and repair or replace
	<ul style="list-style-type: none"> <li>Choked air filter</li> </ul>	Check the air intake
	<ul style="list-style-type: none"> <li>Lack of air</li> </ul>	
	<ul style="list-style-type: none"> <li>Choked exhaust system, exhaust blocked</li> </ul>	Check the exhaust piping, inspect inside of manifold
	<ul style="list-style-type: none"> <li>Faulty actuator</li> </ul>	Replace faulty parts. Contact WhisperPower service department for advice.
	<ul style="list-style-type: none"> <li>Blocked injector</li> </ul>	Have the injector tested and cleaned if necessary
	<ul style="list-style-type: none"> <li>Wrong valve clearance</li> </ul>	Adjust valve clearance
Engine speed drops	<ul style="list-style-type: none"> <li>Genverter overloaded</li> </ul>	Reduce the electrical load (switch off some consumers)
	<ul style="list-style-type: none"> <li>Fuel problem</li> </ul>	Check fuel supply and clean fuel filter
	<ul style="list-style-type: none"> <li>Too much lubricating oil</li> </ul>	Drain oil to proper level
	<ul style="list-style-type: none"> <li>Lack of intake air</li> </ul>	Check air intake; clean air filter

PROBLEM	CAUSE	SOLUTION
	<ul style="list-style-type: none"> <li>Choked exhaust system, exhaust blocked.</li> </ul>	Check the exhaust piping; inspect inside of manifold
	<ul style="list-style-type: none"> <li>Faulty actuator</li> </ul>	Contact WhisperPower service department for advice
	<ul style="list-style-type: none"> <li>Defective alternator (windings or other)</li> </ul>	Genverter must be sent to manufacturer for repair of damaged bearing or winding
	<ul style="list-style-type: none"> <li>Damaged engine</li> </ul>	Repair by WhisperPower service
Engine does not stop on command	<ul style="list-style-type: none"> <li>Fuel solenoid is not switching off</li> <li>Loss of control</li> </ul>	Faulty Digital Diesel Control unit. Stop the engine manually using the stop lever.  Check wire connections to stop solenoid. Check solenoid valve function. Replace if necessary.
Engine exhaust smokes	<ul style="list-style-type: none"> <li>Faint blue smoke - generally the result of light load</li> </ul>	Increase load.
	<ul style="list-style-type: none"> <li>Heavy blue smoke - caused by lubricating oil: oil level too high, worn cylinder, stuck, broken or worn piston rings.</li> </ul>	Check the oil level Check the compression
	<ul style="list-style-type: none"> <li>When the engine RPM is ramping up to react at a load step some smoke may be unavoidable.</li> </ul>	No action required.
	<ul style="list-style-type: none"> <li>Wrong setting of minimum RPM.</li> </ul>	Readjust minimum rpm setting
	<ul style="list-style-type: none"> <li>Sooty black smoke – incomplete combustion caused by: overload, choked air filter, air inlet temperature too high, unsuitable fuel or water in fuel.</li> </ul>	Check the fuel. Check for overload Check the air filter
	<ul style="list-style-type: none"> <li>Valve clearance incorrect.</li> </ul>	Readjust valve clearance
	<ul style="list-style-type: none"> <li>Continuous running with very low load.</li> </ul>	Increase load and have the engine run for a few hours
Engine starts, but stops after 10 up to 30 seconds	<ul style="list-style-type: none"> <li>Faulty alarm switch/sensor</li> </ul>	Replace the switch. By-passing the switch makes it possible to keep running. But be aware: running with a by-passed alarm switch can cause damage!
	<ul style="list-style-type: none"> <li>Protection system stops the engine; this can be caused by oil pressure failure, loose wire or faulty alarm switch. Digital Diesel Control, if fitted, will help to indicate failure.</li> </ul>	Refer to Chapter 3 and page 24 and the DDC operating manual for information on the alarm system. Bypassing a switch can help to confirm the failure. But be aware: running with a by-passed alarm switch can cause damage!
Engine stops by itself	<ul style="list-style-type: none"> <li>Overload or short circuit</li> </ul>	Switch off the consumers and test for short circuit.
	<ul style="list-style-type: none"> <li>Lack of fuel</li> </ul>	Check fuel supply system: tank level, fuel lines, pump, filter, valves, etc.
	<ul style="list-style-type: none"> <li>Coolant temperature too high (&gt;105°C)</li> </ul>	Check cooling system
	<ul style="list-style-type: none"> <li>Oil pressure low (oil pressure switch tripped)</li> </ul>	Check oil level  Check oil pressure and have engine repaired by WhisperPower if necessary.
	<ul style="list-style-type: none"> <li>Air or water in the fuel.</li> </ul>	Check and clean
	<ul style="list-style-type: none"> <li>Blocked air or fuel filter.</li> </ul>	
	<ul style="list-style-type: none"> <li>Loss of compression by wear out or damage.</li> </ul>	Repair by WhisperPower service.

PROBLEM	CAUSE	SOLUTION
Loss of power	• Wrong measurement.	Check if the load is measured correctly. Does the Amp meter show the correct value? When calculating the load by multiplying voltage and amps this should be done using the exact values, taking into account the power factor of the consumers. When in doubt, measure the power directly using an appropriate instrument.
	• Oil level too high	Drain oil to the correct level
	• Choked fuel filter	Replace the fuel filter
	• Choked air filter	Check air inlet openings; clean air filter
	• Exhaust blocked	Check the exhaust system
	• Injector blocked	Have the injector checked
	• Loss of compression, sticking or damaged piston ring	Have the compression measured Clean or replace the rings
	• Wear out of cylinder	Have the compression measured and have the engine overhauled
Over-temperature	• Overload	Reduce the load
	• Exhaust choked with carbon	Clean exhaust
	• Cooling circuit failure	Contact WhisperPower service

### 6.2.3 Warnings



Genverter must be shut off immediately if:

- Unusual noise comes from genverter.
- Exhaust gases suddenly colour dark.
- Engine failure warning light is on.

### 6.2.4 Service address

If you cannot correct a problem with the aid of the troubleshooting tables, contact your WhisperPower Service Centre or WhisperPower Netherlands for an extended service list.

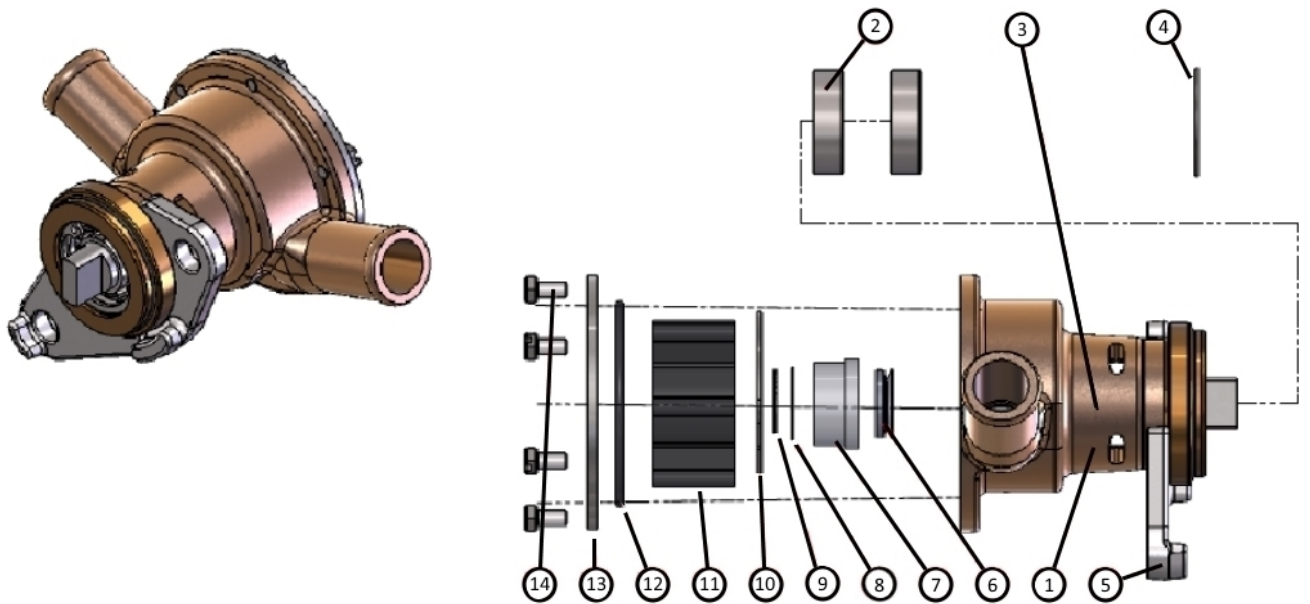
Phone: INT +31-512-571555.

## 7 SPARE PARTS

We recommend the following spares for service and maintenance.

	article no.
• Kit A: parts for regular maintenance (marked *)	40401770
• Kit B: parts for maintenance + spare parts (marked *+**) )	40401771 (Piccolo 8)
	40401772 (Piccolo 10/12)
	40401864 (Piccolo 15)

DESCRIPTION	Piccolo 8	Piccolo 10 /12	Piccolo 15
Fuel filter (*)	40209030	40209030	40209030
Fuel lift pump 12V	50201161	50201161	50201161
V-belt (*)	40403120	40403120	40405120
Oil filter (*)	40403121	40403121	40405121
Air filter	40230007	40230007	50230007
WPL Oil 4 Ltr.	40222204	40222204	40222204
WPL Coolant 4 Ltr.	40222214	40222214	40222214
Water pump (complete)	40401870	40401870	40201670
Impeller + gasket / O-ring (*)	40209011	40209011	40209011
Pump repair kit A	40401471	40401471	40401475
Pump repair kit B (**)	40401472	40401472	40201274
Local control panel PCB	50209142	50209142	50209142
Digital Diesel Control Unit	40401150	40401150	40401150
Fuses 10 Amps (*)	50212170	50212170	50212170
Fuses 3 Amps (*)	50212154	50212154	50212154
Wiring loom (complete)	40401885	40401885	40401883
Digital Diesel Remote control panel	40209102	40209102	40209102
DDC Cable remote control 15 mtr.	50209133	50209133	50209133
Lube oil pressure switch	50209212	50209212	50209212
Exhaust temperature switch	50209245	50209245	50209245
Coolant temperature switch	50209208	50209208	50209208
DC Power Cables Red / Black	Included in wiring loom		
Overhaul gasket kit / Seal kit	40404133	40405133	40404133
Cylinder head gasket kit	40403130	40403131	40403130
Glow plug	40403140	40201640	40403140
Injector nozzle (**)	40403150	40201650	40403150
Fuel pump (high pressure) complete	40201780	40201680	40201780
Thermostat (**)	40403145	40201645	40403145
Thermostat gasket (**)	40404138	40405138	40404138
Rocker cover gasket (**)	40404137	40201637	40404137



No.	Article no.	Description
	40401870	Raw water pump (complete)
1		Pump body
2	40209014	Bearings (2)
3	40209021	Shaft
4	40409016	DIN 472 28mm circlip
5		Clamp
6	40409018	V-ring seal
7	40409015	Mechanical seal
8	40409017	Washer
9	40409019	DIN 12x1 external circlip
10	40209023	Impeller back plate
11	50209013	Impeller
12	40209012	54mm O-ring
13	40201810	Cover plate
14	50209018	M4x8 hex head slotted screws (6)

Figure 17: Raw water pump housing



Maintenance log	Wartungslogbuch	Journal de maintenance
This log must remain with the generator. In the event of a warranty claim, a copy of this log has to be sent to the manufacturer.	Dieses Logbuch verbleibt an Bord. Im Falle eines Garantieanspruchs muss eine Kopie an den Hersteller geschickt werden.	Ce journal demeure à bord. En cas de prétention à garantie, une copie est à dresser au fabricant.

	Inspection required at: Vorgesehen bei: Inspection exigée après:	Service level: Inspektionskategorie: Catégorie d'inspection:	Hours on indicator: Stand Betriebsstundenzähler: Etat du compteur d'heures:	Inspected by: Prüfer: Contrôleur:	Date: Datum:	*) Seal, stamp & full address of responsible WhisperPower Service Centre (only applicable to items marked <input type="checkbox"/> )  *) Stempel bzw. volle Adresse der Whisperpower Servicefirma (nur für mit <input type="checkbox"/> markierten Servicearbeiten)  *) Cachet et adresse complète du centre de services WhisperPower (seulement pour les travaux marqués <input type="checkbox"/> ).
01	35 - 50 h	break-in				
02	200 h	1				
03	400 h	1,2				
04	600 h	1				
05	800 h	1,2,3				*)
06	1000 h	1				
07	1200 h	1,2				
08	1400 h	1				
09	1600 h	1,2,3,4				*)
10	1800 h	1				
11	2000 h	1,2				
12	2200 h	1				
13	2400 h	1,2,3				*)
14	2600	1				
15	2800 h	1,2				
16	3000 h	1				
13	3200 h	1,2,3,4				*)
14	3400 h	1				
15	3600 h	1,2				
16	3800 h	1				
17	4000 h	1,2,3				*)
18	4200 h	1				

	Inspection required at: Vorgesehen bei: Inspection exigée après:	Service level: Inspektionskategorie: Catégorie d'inspection:	Hours on indicator: Stand Betriebsstundenzähler: Etat du compteur d'heures:	Inspected by: Prüfer: Contrôleur:	Date: Datum:	*) Seal, stamp & full address of responsible WhisperPower Service Centre (only applicable to items marked <input type="checkbox"/> )  *) Stempel bzw. volle Adresse der Whisperpower Servicefirma (nur für mit <input type="checkbox"/> markierten Servicearbeiten)  *) Cachet et adresse complète du centre de services WhisperPower (seulement pour les travaux marqués <input type="checkbox"/> ).
19	4400 h	1,2				
20	4600 h	1				
21	4800 h	1,2,3,4				*)
22	5000 h	1				
23	5200 h	1,2				
24	5400 h	1				
25	5600 h	1,2,3				*)
26	5800 h	1				
27	6000 h	1,2				
28	6200 h	1				
29	6400 h	1,2,3,4				*)
30	6600 h	1				
31	6800 h	1,2				
32	7000 h	1				
33	7200 h	1,2,3				*)
34	7400 h	1				
35	7600 h	1,2				
36	7800 h	1				
37	8000 h	1,2,3,4				*)
38	8200 h	1				
39	8400 h	1,2				
40	8600 h	1				
41	8800 h	1,2,3				*)
42	9000 h	1				



# Supplier's Declaration of Conformity/Incorporation

No. 7015001001

Issuer's name: WhisperPower BV  
Issuer's address: Kelvinlaan 82, NL-9207 JB Drachten

Object of the declaration:

WhisperPower two and three cylinder genverters, model nos. 41001105, 41005005, 41005006, 41005030, 41001305, 41009005, 41009006, 41009030, 41001505, 41007005, 41007055, all serial nos.

The object of the declaration described above is in conformity with the requirements of the following Directives and standards, as applicable:

<i>Document</i>	<i>Title</i>
<b>2004/108/EC</b>	<b>EMC Directive</b>
EN 61000-3-2:2006	Electromagnetic compatibility (EMC) - Part 3-2: Limits - Limits for harmonic current emissions
EN61000-6-1: 2007	Electromagnetic compatibility (EMC). Generic standards. Immunity for residential, commercial and light-industrial environments
EN 61000-6-2: 2007	Electromagnetic compatibility (EMC) - Part 6-2: Generic standards - Immunity for industrial environments
EN 61000-6-3: 2007+A1:2011	Electromagnetic compatibility (EMC) -- Part 6-3: Generic standards - Emission standard for residential, commercial and light-industrial environments
<b>2006/95/EC</b>	<b>Low Voltage Directive</b>
EN 60950:2000	Safety of information technology equipment
<b>2004/26/EC</b>	<b>Non-Road Mobile Machinery Exhaust Emissions Directive</b>
<b>2006/42/EC</b>	<b>Machinery Directive</b>
EN 842:1996+A1:2008	Safety of machinery - Visual danger signals - General requirements, design and testing
ISO 12100:2010	Safety of machinery - General principles for design - Risk assessment and risk reduction

The machinery is incomplete and must not be put into service until the machinery into which it is to be incorporated or the vessel into which it is to be installed, has been declared in conformity with the provisions of the Directive.

We undertake to transmit, in response to a reasoned request by the appropriate national authorities, relevant information on the partly completed machinery identified above.

Signed for and on behalf of:

WhisperPower BV

M. Favot,  
Chief Technical Officer,

Drachten, 11 March 2020

The technical documentation for the machinery is available from:  
WhisperPower BV, Kelvinlaan 82, 9207 JB Drachten, Netherlands



Kelvinlaan 82, 9207 JB Drachten, Netherlands

Tel : + 31-512-571550 / Fax : + 31-512-571599

[www.whisperpower.com](http://www.whisperpower.com) / [info@whisperpower.com](mailto:info@whisperpower.com)