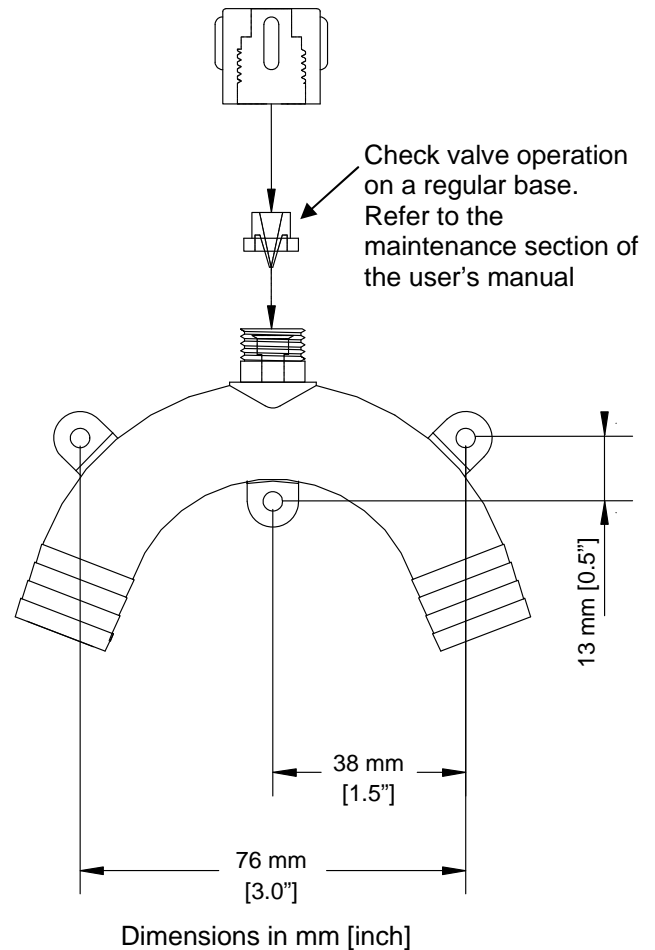
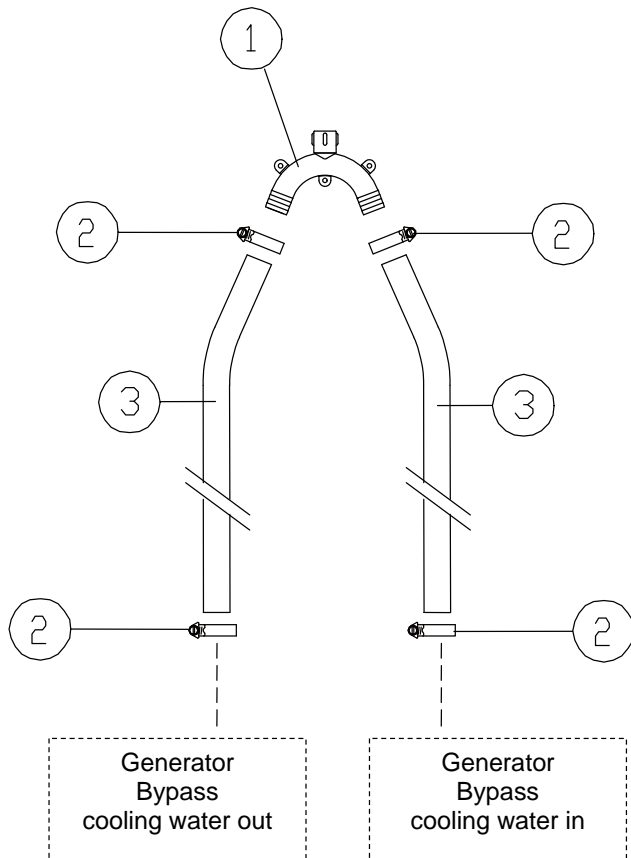




Refer to the installation manual for installation instructions!  
Faulty installation can cause serious problems



#### CONTENTS OF THE DELIVERY

pos	qty	article no	description
1	1	50230019	Syphon breaker valve 20mm (3/4") complete (including valve assembly)
2	4	50221502	Hose clamp stainless 22-30 mm
3	3m	50220056	Cooling water hose transparent spiral 20x28 mm
<b>TOTAL</b>		<b>40230273</b>	<b>SYPHON BREAKER KIT 20 MM (3/4")</b>