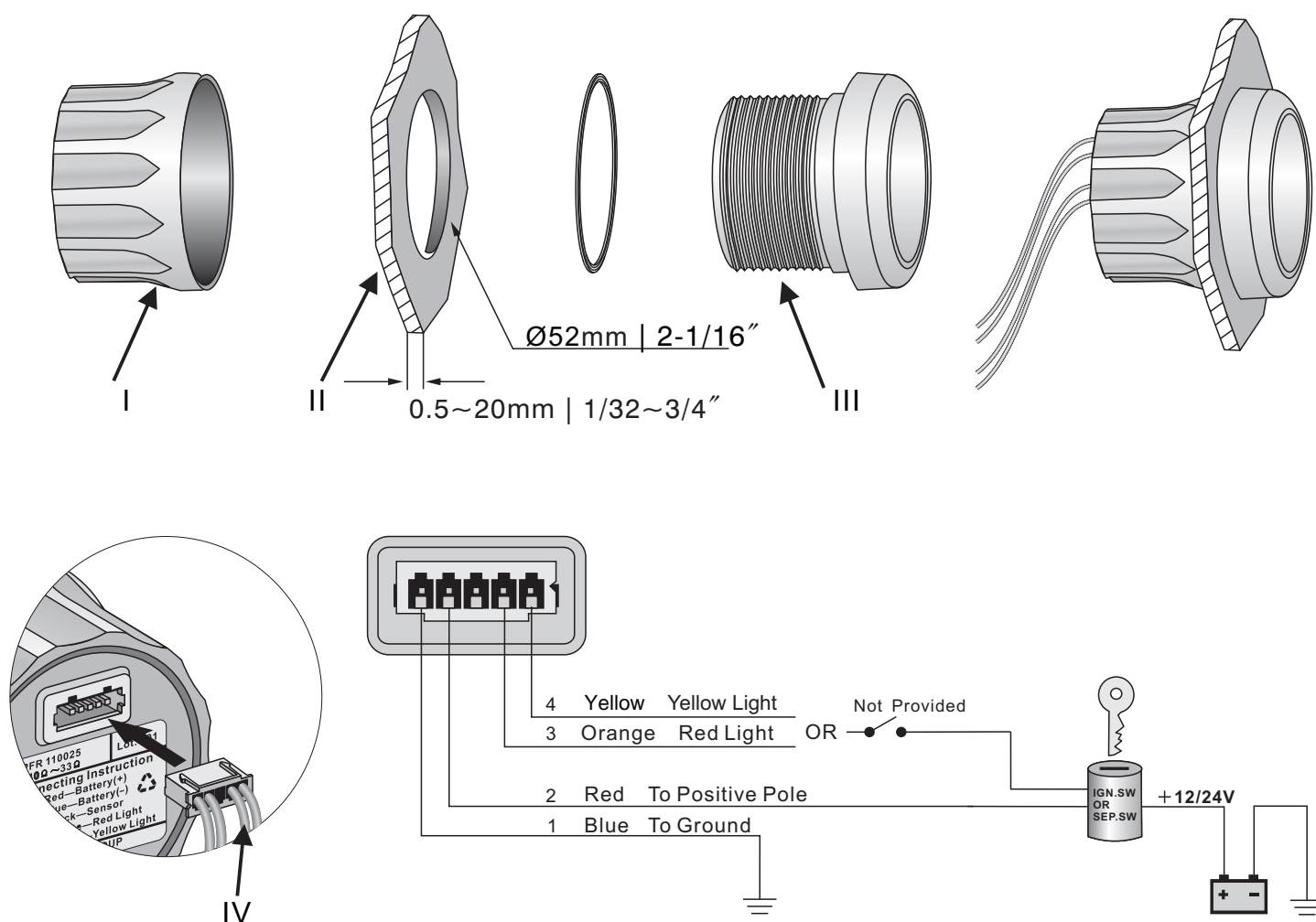


# INSTALLATION INSTRUCTIONS



## INSTALLATION STEPS

1. Cut a 52mm (2-1/16") diameter panel hole (II), place the gauge (# III) in panel hole and mark corresponding gauge boss on the panel, in addition, to cut a small gap (as # II shows). make sure there is minimum clearance of 55mm(2-3/16") behind the panel to fix the gauge.
2. Put gauge body (# 111) inside panel(#11), then screw down fixing ring (#1) tightly.
3. According to wiring instruction to do wire connection, Gauge can be directly connected to 12/24V power supply.
4. Select either red or yellow as backlight by your fondness.
5. Insert wire harness (IV) into port at the back of the gauge.
6. The gauge begins to time when it's connected with power supply, there will be one +0.1H calculated every other 6 minutes and Accumulative numerical value would be automatically saved. the Max. display value: 99999.9H.

## 安装步骤

1. 在面板(# II)上开一个直径52 mm(2-1/16")的孔(您的船舱板或仪表板)。将仪表(# III)装入孔中, 在面板对应的仪表凸台位作标记, 并在此位置开一小缺口(如# II所示)。确保仪表板后面至少有55 mm (2-3/16")的空间来放置仪表。
2. 将主体(# III)装入面板(# II)中, 再将固定圈(# I)旋紧即可。
3. 按接线说明将电线连接好, 仪表可直接连接到12/24V的电源上。
4. 可根据喜好选择红色或黄色背景灯。
5. 将线束 (# IV)接入端口中。
6. 仪表接通电源后并开始计时, 每过6分钟, 小时计+0.1H, 并自动保存累加数值。仪表最大显示: 99999.9H。