

MARINE POWERSPRAY NOZZLE

Designed and made in New Zealand, the TruDesign Marine PowerSpray nozzle is a long lasting washdown nozzle for boats and docks.



The adjustable valve allows the user to select a spray pattern that suits the application, from a powerful jet to a fine spray. When dropped or released the nozzle automatically shuts off reducing water usage.

The strong Nylon 6 body and handle is designed to withstand the knocks as well as the salt and UV exposure encountered in marine applications. With the only metallic component being an internal stainless-steel spring, corrosion problems are eliminated.

Models

Part #	Description
90381	Nozzle Marine PowerSpray with 13mm (1/2") Tail
91154	Nozzle Marine PowerSpray with Snap Tail - 13mm
90620	Nozzle Marine PowerSpray - no tail

Connectors

Part #	Description
90442	Tail Snap - 13mm - 3/4" BSP
90621	Tail Snap - 13mm - 3/4" BSP - in a bag
90247	Tail / Hose Barb - 13mm - 3/4" BSP
90253	Tail / Hose Barb - 19mm - 3/4" BSP
90264	Tail / Hose Barb - 25mm - 3/4" BSP

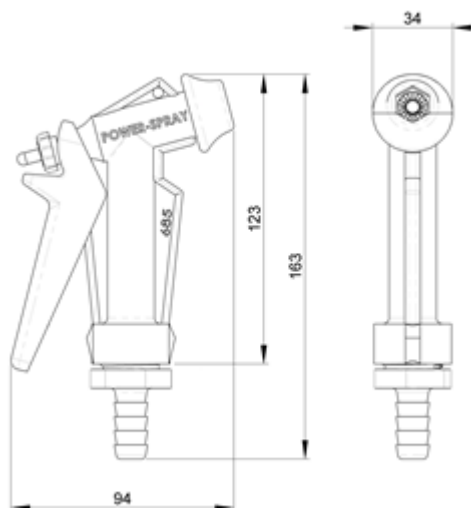


Features

Feature	Benefit
Adjustable spray pattern	Jet spray pattern for anchor mud, fine spray for “salt spray” window cleaning.
One handed trigger shut off	Saves water – only use water when needed. Auto shut off when dropped.
Nylon 6 Body	High strength and light weight.
Immune to corrosion and electrolysis	Long life with no concerns over decreased performance due to corrosion.
Chemical resistant	Impervious to diesel, petrol & antifouling paints.
UV resistant	Will not break down with ultraviolet light or discolour from the sun.
$\frac{3}{4}$ ” BSP thread connection	Connects to snap connector or multiple hose barb sizes.

Specifications and dimensions

Flowrate – 42 litres / min @ 400kPa (60 PSI). $\frac{3}{4}$ ” BSP Thread



The information contained in this information sheet is for general information purposes only. The information is provided by TruDesign™ and while we endeavour to keep the information up to date and correct, we make no representations or warranties of any kind, express or implied, about the completeness, accuracy, reliability, suitability or availability. Any reliance you place on such information is therefore strictly at your own risk.