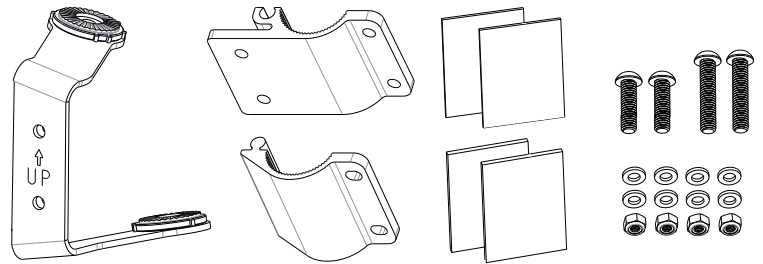
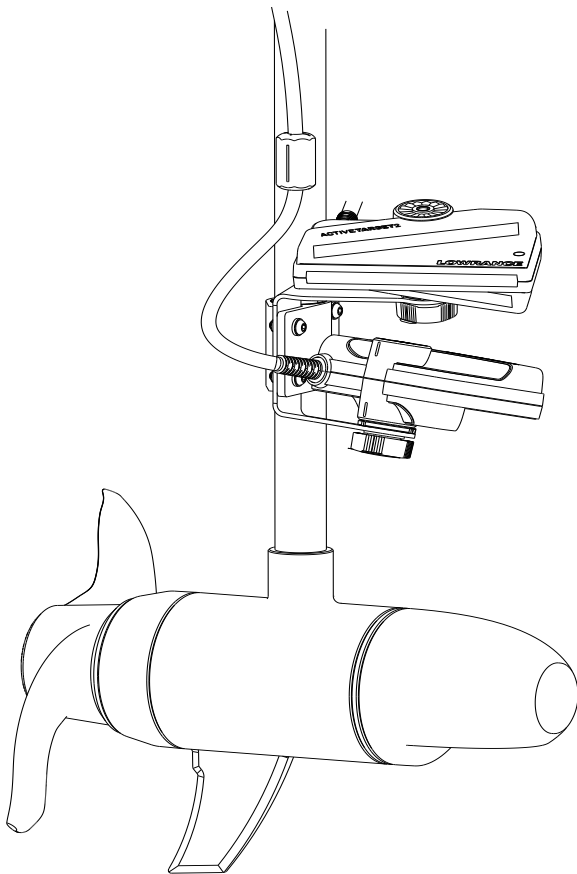




Scan for more info



ActiveTarget™ 2 Scout™ Wide Bracket Installation Guide



Parts included

- Scout™ wide bracket arm
- Clamp collar, 1x large, 1x small
- 1.5 mm rubber spacer (for shaft diameters 31-33 mm), 2x
- 3 mm rubber spacer (for shaft diameters 29-31 mm), 2x
- M6x20 mm bolt, 2x
- M6x30 mm bolt, 2x
- M6 flat washer, 8x
- M6 lock nut, 4x

* Transducers not included

Tools needed

- 10 mm open end wrench
- 4 mm Allen key
- Torque wrench

Introduction

The ActiveTarget® 2 Scout™ wide bracket is a non-adjustable bracket arm that holds two ActiveTarget® 2 transducers at proper Scout™ angles.

When installed with two ActiveTarget® 2 sonar modules, the bracket allows you to view a Scout™ wide view on your Lowrance® HDS® Pro multi-function display.

The Scout™ wide view is a composite image (two images blended at the center) that displays a much wider area of fish and structure than a single Scout™ view.

Installation

We recommend you install the Scout™ wide bracket while your trolling motor is stowed. This allows you to quickly see if you've oriented the bracket incorrectly (i.e. the bracket is touching the trolling motor mount or you can't install the bottom transducer because the trolling motor mount is in the way). If you install the bracket incorrectly while the trolling motor is deployed, you won't realize until you try to stow your trolling motor.

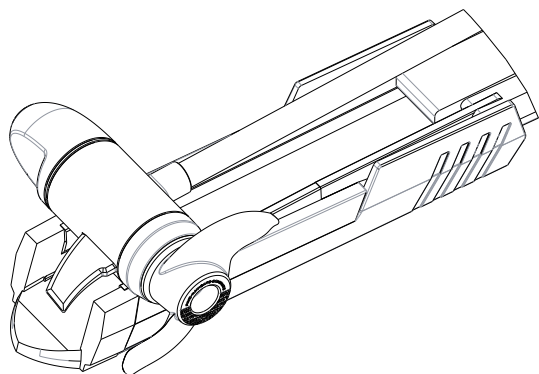
This guide provides instructions on how to mount the ActiveTarget® 2 Scout™ wide bracket. For instructions on how to install ActiveTarget® 2 sonar modules and how to wire an ActiveTarget® 2 system, refer to the ActiveTarget® 2 Installation Manual. To learn how to display the Scout™ wide view on your Lowrance® HDS® Pro multi-function display, refer to the Lowrance® HDS® Pro Operator Manual.

→ **Warning:** Never install a Scout™ wide bracket to your trolling motor while the trolling motor is operating.

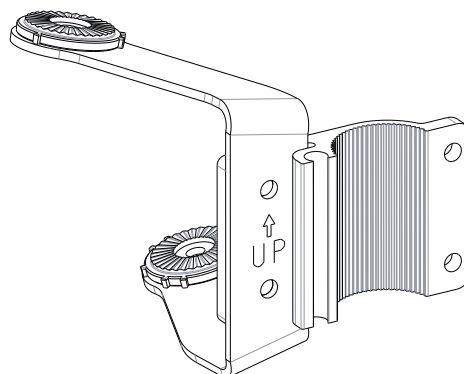
Determine bracket configuration (port or starboard)

1. Determine the stow direction of your trolling motor.

If the port side of trolling motor lower unit faces up (away from the mount), use the port configuration:

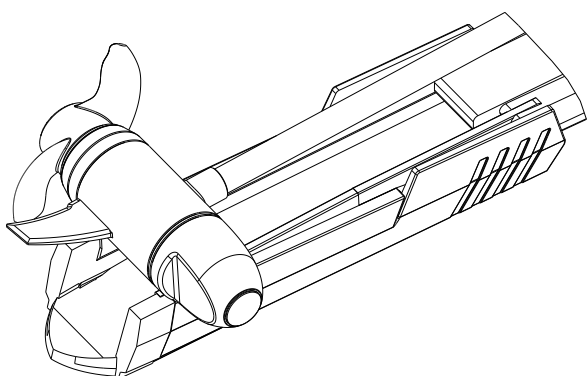


Use port configuration

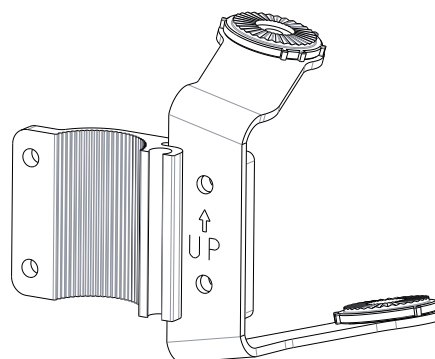


Port configuration

If the starboard side of the trolling motor lower unit faces up, use the starboard configuration:



Use starboard configuration

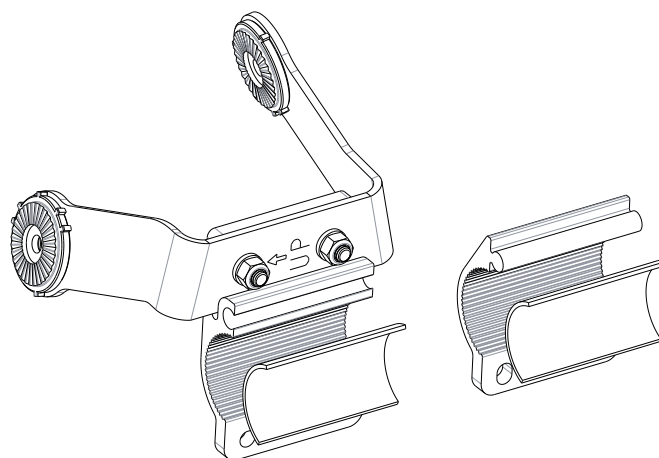
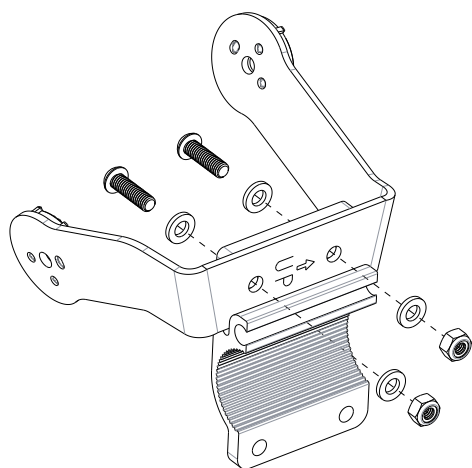


Starboard configuration

Attach collar to bracket arm

2. Attach the large clamp collar to the bracket arm using the two 20 mm bolts, four washers and two lock nuts.

3. Use the open end wrench and Allen key to tighten the bolts to the torque setting 6 N·m (4.42 lb-ft).



Insert rubber spacers

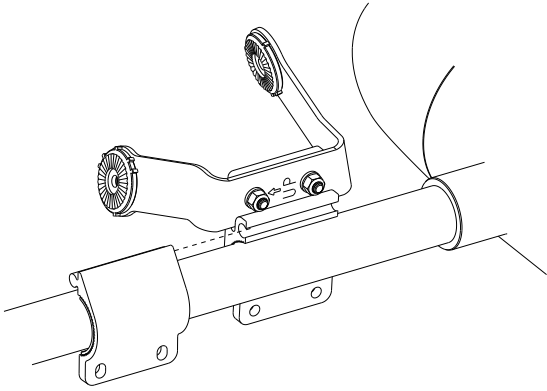
4. Choose a set of rubber spacers to match the diameter of your trolling motor shaft. If the shaft diameter is 31-33 mm, use the 1.5 mm spacers. If it's 29-31 mm, use the 3 mm spacers.

5. Slightly bend each rubber spacer and push it into the center of each collar.

→ **Note:** If aligned accurately, the stiffness of the spacer will hold it in place.

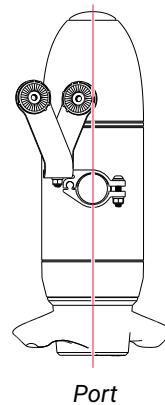
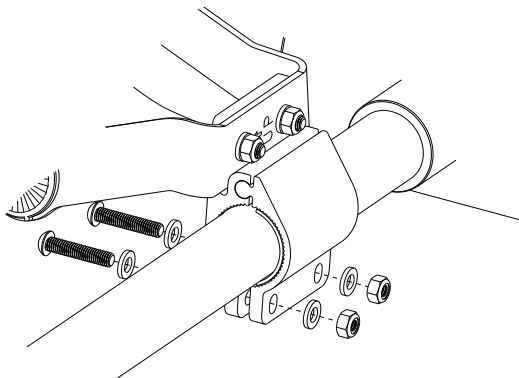
Position clamp on shaft

6. With the bracket in upwards position (arrow pointing towards the top of the trolling motor), place the collar assembly against the trolling motor shaft.
- **Note:** The bracket arms should be facing the same way as the nose of the trolling motor (i.e. the opposite side to the propeller).
7. Slide the remaining clamp collar along the shaft into position.

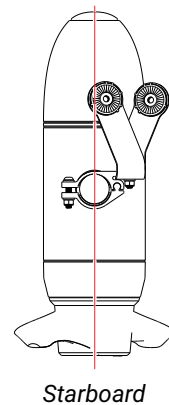


Bolt clamp to shaft

8. Attach the clamp to the trolling motor shaft using the 30 mm bolts, four washers and two lock nuts. Assemble just enough to hold everything together.
9. Align the clamp assembly with the centerline of the trolling motor.
- **Note:** If the main collar has been attached to the wrong side of the bracket, the bracket will touch the trolling motor mount. If it's correctly attached, the bracket sits away from the trolling motor mount.

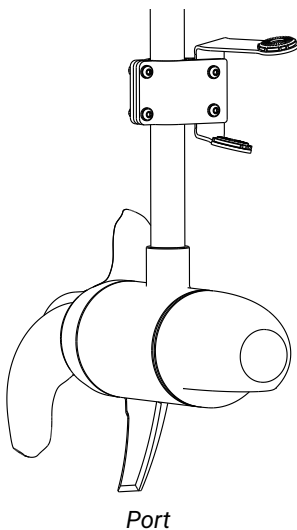


Port

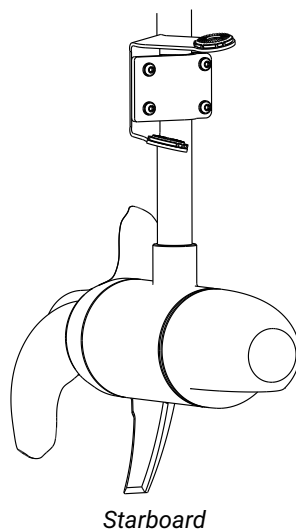


Starboard

10. Use the open end wrench and Allen key to tighten the bolts to the torque setting 2.5 N·m (1.85 lb-ft).
- **Warning:** Tighten the bolts by hand and not electric drill. If there's no gap between the collars after tightening the bolts, you've used the wrong rubber spacers or overtightened the bolts.



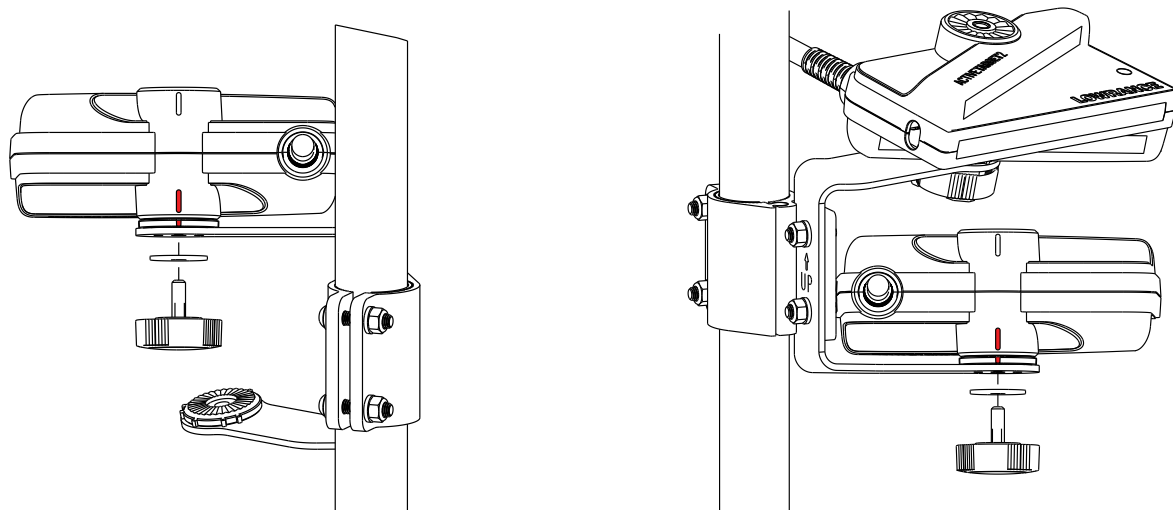
Port



Starboard

Attach transducers to bracket

11. Use two arm knobs (or two M6x20 cap screws for a more permanent installation) and M6 metal washers from your ActiveTarget® 2 installation kits to attach two ActiveTarget® 2 transducers to the Scout™ wide bracket arm.
→ **Note:** If you attached the large collar to the wrong side of the bracket, you won't be able to install the bottom transducer because the trolling motor mount will be in the way.
12. Orient the transducers so the cable exiting the transducer is closest to the shaft.
13. Position the top transducer towards the right with the temperature sensor facing up.
14. Position the bottom transducer towards the left with the temperature sensor facing down.
15. Align the lines on the bracket arm with the lines on the transducer.



Move ferrite choke and secure cables to shaft

16. Unclamp the ferrite choke on the cable of the bottom transducer and re-clamp it approximately 100 mm further up the cable.
→ **Note:** This gives you enough space to secure the transducer cable to the shaft above the clamp.
17. Use electrical tape or cable ties to secure both transducer cables to the shaft.
→ **Note:** If you use cable ties, don't overtighten them as overtightening can damage the wires inside the cables.

Copyright

Copyright © 2022 Navico Holding AS.

Trademarks

*Reg. U.S. Pat. & Tm. Off, and ™ common law marks. Visit www.navico.com/intellectual-property to review the global trademark rights and accreditations for Navico Holding AS and other entities.

Warranty

This product's warranty is supplied as a separate document.

Safety, disclaimer and compliance

This product's safety, disclaimer and compliance statements are supplied as a separate document.

More information

Document version: 001

For the latest version of this document in supported languages and other related documentation, visit: www.lowrance.com/downloads/activetarget.