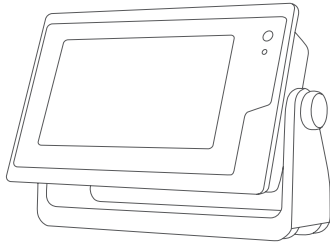


GARMIN®



# GPSMAP® 702/902 SERIES INSTALLATION INSTRUCTIONS

## Important Safety Information

### ⚠ WARNING

See the *Important Safety and Product Information* guide in the product box for product warnings and other important information.

When connecting the power cable, do not remove the in-line fuse holder. To prevent the possibility of injury or product damage caused by fire or overheating, the appropriate fuse must be in place as indicated in the product specifications. In addition, connecting the power cable without the appropriate fuse in place voids the product warranty.

### ⚠ CAUTION

Always wear safety goggles, ear protection, and a dust mask when drilling, cutting, or sanding.

### NOTICE

When drilling or cutting, always check what is on the opposite side of the surface.

To obtain the best performance and to avoid damage to your boat, install the device according to these instructions.

Read all installation instructions before proceeding with the installation. If you experience difficulty during the installation, contact Garmin® Product Support.

## Contacting Garmin Support

- Go to [support.garmin.com](http://support.garmin.com) for help and information, such as product manuals, frequently asked questions, videos, and customer support.
- In the USA, call 913-397-8200 or 1-800-800-1020.
- In the UK, call 0808 238 0000.
- In Europe, call +44 (0) 870 850 1241.

## Updating the Device Software

You may need to update the device software when you install this device or add an accessory to the network. You can use one of two methods to update the software.

- Use the ActiveCaptain™ app.
- Download the update from [www.garmin.com/support/software/marine.html](http://www.garmin.com/support/software/marine.html) using a 32 GB card and a computer running Windows® operating system.

For more information, see the owner's manual at [www.garmin.com/manuals/GPSMAP702-902](http://www.garmin.com/manuals/GPSMAP702-902).

## Registering Your Device

Help us better support you by completing our online registration today. You can register your device using one of two methods.

- Use the ActiveCaptain app.

- Go to [my.garmin.com/registration](http://my.garmin.com/registration) and sign into your Garmin account to register the device.

Keep the original sales receipt, or a photocopy, in a safe place. After you add devices to the chartplotter network, register the new devices.

## Tools Needed

- Drill
- Drill bits appropriate for the device and mounting style

Mounting Style	Drill Bit Sizes
Bail with included M4 wood screws	3.2 mm (1/8 in.)
Flush	13 mm (1/2 in.)
Flush with included M3.5 wood screws (702 series)	2 mm (5/64 in.)
Flush with included M4 wood screws (902 series)	3.2 mm (1/8 in.)
Flush with included machine screws and nut plates	6 mm (1/4 in.) 4 mm (3/16 in.)
Flush with included M3.5 machine screws and tapped holes (702 series)	M3.5 tap
Flush with included M4 machine screws and tapped holes (902 series)	M4 tap

- #2 Phillips screwdriver
- Jigsaw or rotary tool
- File and sandpaper
- Marine sealant (recommended)

## Mounting Considerations

### NOTICE

This device should be mounted in a location that is not exposed to extreme temperatures or conditions. The temperature range for this device is listed in the product specifications. Extended exposure to temperatures exceeding the specified temperature range, in storage or operating conditions, may cause device failure. Extreme-temperature-induced damage and related consequences are not covered by the warranty.

When selecting a mounting location, you should observe these considerations.

- The location should provide optimal viewing as you operate your boat.
- The location should allow for easy access to all device interfaces, such as the keypad, touchscreen, and card reader, if applicable.
- The location must be strong enough to support the weight of the device and protect it from excessive vibration or shock.
- To avoid interference with a magnetic compass, the device should not be installed closer to a compass than the compass-safe distance value listed in the product specifications.
- The location must allow room for the routing and connection of all cables.
- The location must not be a flat, horizontal surface. The location should be in a vertical angle.

The location and viewing angle should be tested before you install the device. High viewing angles from above and below the display may result in a poor image.

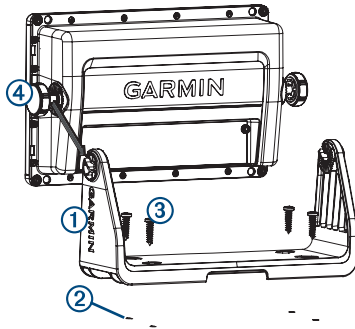
## Bail Mounting the Device

### NOTICE

If you are mounting the bracket on fiberglass with screws, it is recommended to use a countersink bit to drill a clearance counterbore through only the top gel-coat layer. This will help to avoid cracking in the gel-coat layer when the screws are tightened.

You can use the included bracket to bail mount the device on a flat surface.

- Using the bail-mount bracket ① as a template, mark the pilot holes ②.



- Using a 3.2 mm (1/8 in.) drill bit, drill the pilot holes.
- Secure the bail-mount bracket to the surface using the included M4 wood screws ③.
- Install the bail-mount knobs ④ on the sides of the device.
- Place the device in the bail-mount bracket, and tighten the bail-mount knobs.
- Install the trim caps by snapping them in place around the edges of the device.

## Flush Mounting the Device

### NOTICE

Be careful when cutting the hole to flush mount the device. There is only a small amount of clearance between the case and the mounting holes, and cutting the hole too large could compromise the stability of the device after it is mounted.

The included template and hardware can be used to flush mount the device in your dashboard. There are three options for hardware based on the mounting surface material.

- You can drill pilot holes and use the included wood screws.
- You can drill holes and use the included nut plates and machine screws. The nut plates can add stability to a thinner surface.
- You can punch and tap holes, and use the included machine screws.

- Trim the template, and make sure it fits in the location where you want to mount the device.
- Secure the template to the mounting location.
- Using a 13 mm (1/2 in.) drill bit, drill one or more of the holes inside the corners of the solid line on the template to prepare the mounting surface for cutting.
- Using a jigsaw or a rotary tool, cut the mounting surface along the inside line on the template.
- Place the device in the cutout to test the fit.
- If necessary, use a file and sandpaper to refine the size of the cutout.
- If necessary, remove the trim caps.

### NOTICE

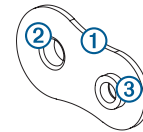
Use a plastic pry tool when possible. Using a metal pry tool, such as a screwdriver, can damage the trim caps and the device.

- After the device fits correctly in the cutout, ensure the mounting holes on the device line up with the larger holes on the template.
- If the mounting holes on the device do not line up, mark the new hole locations.

- Based on your mounting surface and model, drill or punch and tap the larger holes:

- For the included wood screws on 702 models, drill 2 mm (5/64 in.) holes, and skip to step 18.
- For the included wood screws on 902 models, drill 3.2 mm (1/8 in.) holes, and skip to step 18.
- For the included nut plate and machine screws, drill 6 mm (1/4 in.) holes in the larger hole locations.
- For the included machine screws without the nut plate on 702 models, punch and tap M3.5 holes, and skip to step 18.
- For the included machine screws without the nut plate on 902 models, punch and tap M4 holes, and skip to step 18.

- If you are using a nut plate, starting in one corner of the template, place a nut plate ① over the larger hole ② drilled in the previous step.

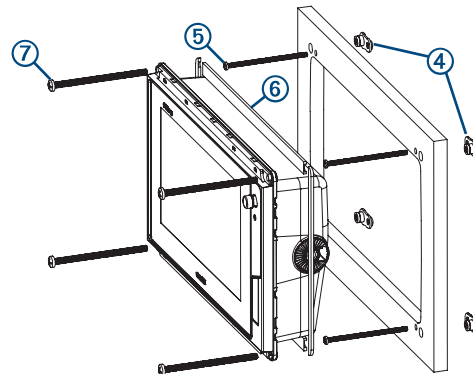


The smaller hole ③ on the nut plate should line up with the smaller hole on the template.

- If the smaller hole on the nut plate does not line up with the smaller hole on the template, mark the new hole location.
- If you are using a nut plate, drill a 4 mm (3/16 in.) hole in the smaller hole location.
- Repeat to verify placement of the remaining nut plates and holes on the template.
- Remove the template from the mounting surface.

- Starting in one corner of the mounting location, place a nut plate ④ on the back of the mounting surface, lining up the large and small holes.

The raised portion of the nut plate should fit into the larger hole.



- Secure the nut plates to the mounting surface by fastening the smaller machine screws ⑤ through the smaller holes.

- Install the foam gasket ⑥ on the back of the device.

The pieces of the foam gasket have adhesive on the back. Make sure you remove the protective liner before installing them on the device.

- If you will not have access to the back of the device after you mount it, connect all necessary cables to the device before placing it into the cutout.

### NOTICE

To prevent corrosion of the metal contacts, cover unused connectors with the attached weather caps.

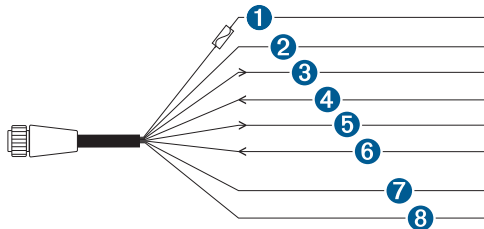
- 20 Apply marine sealant between the mounting surface and the device to properly seal and prevent leakage behind the dashboard.
- 21 If you will have access to the back of the device, apply marine sealant around the cutout.
- 22 Place the device into the cutout.
- 23 Secure the device to the mounting surface using the larger machine screws ⑦ or the included wood screws.
- 24 Wipe away all excess marine sealant.
- 25 Install the trim caps by snapping them in place around the edges of the device.

## Cable and Connection Considerations

- The cables may have been packaged without the locking rings installed. If so, you should route the cables before you install the locking rings.
- After connecting a locking ring to a cable, make sure the ring is securely connected and the O-ring is in place so the connection remains secure.

### Power/NMEA® 0183 Cable

- The wiring harness connects the device to power, NMEA 0183 devices, and a lamp or a horn for visible or audible alerts.
- If it is necessary to extend the NMEA 0183 or alarm wires, you must use 22 AWG (.33 mm<sup>2</sup>) wire.
- This cable provides one differential NMEA 0183 input and output port.



Item	Wire Color	Wire Function
①	Red	Power
②	Black	Ground (power and NMEA 0183)
③	Blue	NMEA 0183 TxA (Out +)
⑤	Gray	NMEA 0183 TxB (Out -)
④	Brown	NMEA 0183 RxA (In +)
⑥	Violet	NMEA 0183 RxB (In -)
⑦	Orange	Accessory on
⑧	Yellow	Alarm low

### Connecting the Wiring Harness to Power

#### ⚠ WARNING

When connecting the power cable, do not remove the in-line fuse holder. To prevent the possibility of injury or product damage caused by fire or overheating, the appropriate fuse must be in place as indicated in the product specifications. In addition, connecting the power cable without the appropriate fuse in place voids the product warranty.

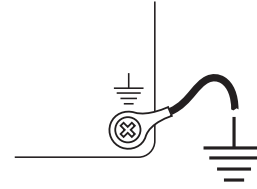
- 1 Route the wiring harness to the power source and to the device.
- 2 Connect the red wire to the positive (+) battery terminal, and connect the black wire to the negative (-) battery terminal.
- 3 If necessary, install the locking ring and O-ring on the end of the wiring harness.
- 4 Insert the cable into the POWER connector on the back of the device, pushing firmly.

- 5 Turn the locking ring clockwise to attach the cable to the device.

### Additional Grounding Consideration

This consideration is applicable only to devices that have a grounding screw. Not all models have a grounding screw.

This device should not need additional chassis grounding in most installation situations. If you experience interference, the grounding screw on the housing can be used to connect the device to the water ground of the boat to help avoid the interference.



### Garmin Marine Network Considerations

#### NOTICE

A Garmin Power over Ethernet (PoE) Isolation Coupler (P/N 010-10580-10) must be used when connecting any third-party device, such as a FLIR® camera, to a Garmin Marine Network. Connecting a PoE device directly to a Garmin Marine Network chartplotter damages the Garmin chartplotter and may damage the PoE device. Connecting any third-party device directly to a Garmin Marine Network chartplotter will cause abnormal behavior on the Garmin devices, including the devices not properly turning off or the software becoming inoperable.

This device can connect to additional Garmin Marine Network devices to share data such as radar, sonar, and detailed mapping. When connecting Garmin Marine Network devices to this device, observe these considerations.

- All devices connected to the Garmin Marine Network must be connected to the same ground.
- A Garmin Marine Network cable must be used for all Garmin Marine Network connections.
  - Third-party CAT5 cable and RJ45 connectors must not be used for Garmin Marine Network connections.
  - Additional Garmin Marine Network cables and connectors are available from your Garmin dealer.
- The ETHERNET ports on the device each act as a network switch. Any compatible device can be connected to any ETHERNET port to share data with all devices on the boat connected by a Garmin Marine Network cable.

### NMEA 2000® Considerations

#### NOTICE

If you are connecting to an **existing** NMEA 2000 network, identify the NMEA 2000 power cable. Only one NMEA 2000 power cable is required for the NMEA 2000 network to operate properly.

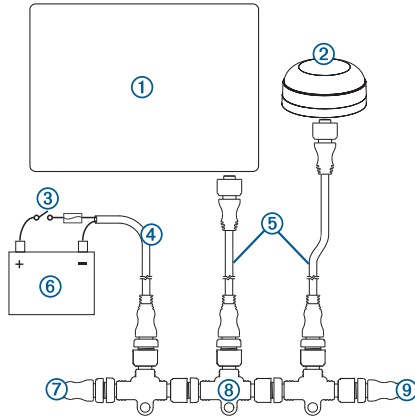
If you are connecting this device to an existing NMEA 2000 network or engine network by another manufacturer, you should install a NMEA 2000 Power Isolator (010-11580-00) between the existing network and the Garmin devices.

If you are installing a NMEA 2000 power cable, you must connect it to the boat ignition switch or through another in-line switch. NMEA 2000 devices will drain your battery if the NMEA 2000 power cable is connected to the battery directly.

This device can connect to a NMEA 2000 network on your boat to share data from NMEA 2000 compatible devices such as a GPS antenna or a VHF radio. The included NMEA 2000 cables and connectors allow you to connect the device to your existing

NMEA 2000 network. If you do not have an existing NMEA 2000 network you can create a basic one using cables from Garmin. If you are unfamiliar with NMEA 2000, you should read the “NMEA 2000 Network Fundamentals” chapter of the *Technical Reference for NMEA 2000 Products*. You can find this document using the “Manuals” link on the product page for your device at [www.garmin.com](http://www.garmin.com).

The port labeled NMEA 2000 is used to connect the device to a standard NMEA 2000 network.



Item	Description
①	NMEA 2000 compatible Garmin device
②	GPS antenna
③	Ignition or in-line switch
④	NMEA 2000 power cable
⑤	NMEA 2000 drop cable
⑥	12 Vdc power source
⑦	NMEA 2000 terminator or backbone cable
⑧	NMEA 2000 T-connector
⑨	NMEA 2000 terminator or backbone cable

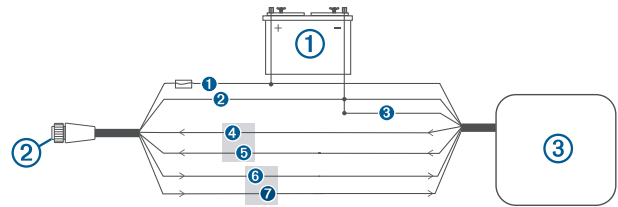
### NMEA 0183 Connection Considerations

- The chartplotter provides one Tx (transmit) port and one Rx (receive) port.
- Each port has 2 wires, labeled A and B according to the NMEA 0183 convention. The corresponding A and B wires of each internal port should be connected to the A (+) and B (-) wires of the NMEA 0183 device.
- You can connect one NMEA 0183 device to the Rx port to input data to this chartplotter, and you can connect up to three NMEA 0183 devices in parallel to the Tx port to receive data output by this chartplotter.
- See the NMEA 0183 device installation instructions to identify the transmit (Tx) and receive (Rx) wires.
- You must use 28 AWG, shielded, twisted-pair wiring for extended runs of wire. Solder all connections and seal them with heat-shrink tubing.
- Do not connect the NMEA 0183 data wires from this device to power ground.
- The power cable from the chartplotter and the NMEA 0183 devices must be connected to a common power ground.
- The internal NMEA 0183 ports and communication protocols are configured on the chartplotter. See the NMEA 0183 section of the chartplotter owner's manual for more information.
- See the chartplotter owner's manual for a list of the approved NMEA 0183 sentences that the chartplotter supports.

### NMEA 0183 Device Connections

This diagram illustrates two-way connections for both sending and receiving data. You can also use this diagram for one-way

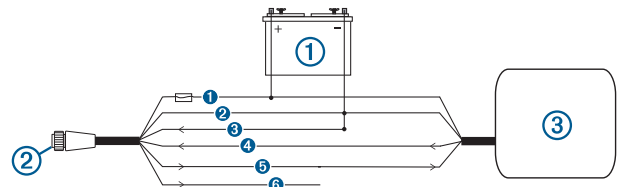
communication. To receive information from a NMEA 0183 device, refer to items ①, ②, ③, and ④ when connecting the Garmin device. To transmit information to a NMEA 0183 device, refer to items ①, ②, ⑤, and ⑥ when connecting the Garmin device.



Item	Description
①	Power source
②	Power/NMEA 0183 cable
③	NMEA 0183 device

Item	Garmin Wire Function	Garmin Wire Color	NMEA 0183 Device Wire Function
①	Power	Red	Power
②	Power ground	Black	Power ground
③	Not applicable	Not applicable	Data ground
④	RXA	Brown	TXA
⑤	RXB	Violet	TXB
⑥	TXA	Blue	RXA
⑦	TXB	Gray	RXB

### Single-Ended NMEA 0183 Device Connections



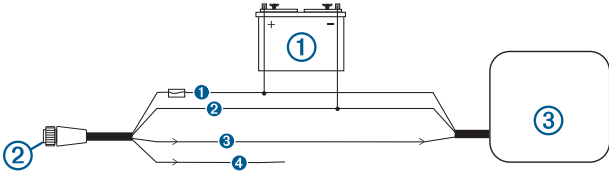
Item	Description
①	Power source
②	Power/NMEA 0183 cable
③	NMEA 0183 device

Item	Garmin Wire Function	Garmin Wire Color	NMEA 0183 Device Wire Function
①	Power	Red	Power
②	Power ground	Black	Power ground
③	RXB	Violet	Not applicable
④	RXA	Brown	TX
⑤	TXA	Blue	RX
⑥	TXB	Gray	N/A

- If the NMEA 0183 device has only one input (receive, RX) wire (no A, B, +, or -), you must leave the TXB wire unconnected.
- If the NMEA 0183 device has only one output (transmit, TX) wire (no A, B, +, or -), you must connect the RXB wire to ground.

### NMEA 0183 Device Connected with a Single Receive Wire

In this example, the NMEA 0183 device is receiving data from the chartplotter.

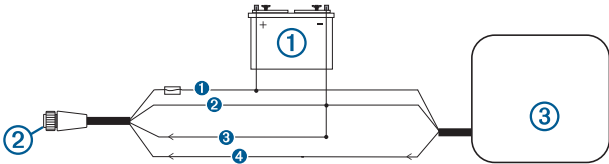


Item	Description
①	Power source
②	Power/NMEA 0183 cable
③	NMEA 0183 device

Item	Garmin Wire Function	Garmin Wire Color	NMEA 0183 Device Wire Function
①	Power	Red	Power
②	Power ground	Black	Power ground
③	TXA	Blue	RXA
④	TXB	Gray	Not applicable

### NMEA 0183 Device Connected with a Single Transmit Wire

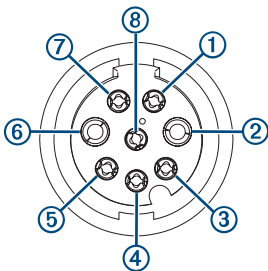
In this example, the NMEA 0183 device is sending data to the chartplotter.



Item	Description
①	Power source
②	Power/NMEA 0183 cable
③	NMEA 0183 device

Item	Garmin Wire Function	Garmin Wire Color	NMEA 0183 Device Wire Function
①	Power	Red	Power
②	Power ground	Black	Power ground
③	RXB	Violet	Not applicable
④	RXA	Brown	TXA

### NMEA 0183 and Power Cable Pinout



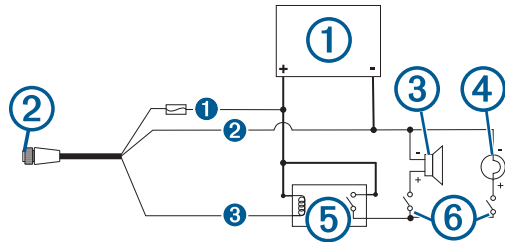
Pin Number	Wire Function	Wire Color
③	NMEA 0183 Tx/A (Out +)	Blue
④	NMEA 0183 Rx/A (In +)	Brown
①	NMEA 0183 Tx/B (Out -)	Gray
⑦	NMEA 0183 Rx/B (In -)	Violet

Pin Number	Wire Function	Wire Color
⑤	Alarm	Yellow
⑧	Accessory on	Orange
②	Ground (shield)	Black
⑥	VIN	Red

### Lamp and Horn Connections

The device can be used with a lamp, a horn, or both, to sound or flash an alert when the chartplotter displays a message. This is optional, and the alarm wire is not necessary for the device to function normally. When connecting the device to a lamp or horn, observe these considerations.

- The alarm circuit switches to a low-voltage state when the alarm sounds.
- The maximum current is 1 A, and a relay is needed to limit the current from the chartplotter to 1 A.
- To manually toggle visual and audible alerts, you can install single-pole, single-throw switches.



Item	Description
①	Power source
②	Power cable
③	Horn
④	Lamp
⑤	Relay (1 A coil current)
⑥	Toggle switches to enable and disable lamp or horn alerts

Item	Wire Color	Wire Function
①	Red	Power
②	Black	Ground
③	Yellow	Alarm

### Composite Video Considerations

This chartplotter allows video input from composite video sources using the port labeled CVBS IN. When connecting composite video, you should observe these considerations.

- The CVBS IN port uses a BNC connector. You can use a BNC to RCA adapter to connect a composite-video source with RCA connectors to the CVBS IN port.
- Video is shared across the Garmin Marine Network, but it is not shared across the NMEA 2000 network.

### Specifications

Device	Specification	Measurement
All models	Temperature range	From -15° to 55°C (from 5° to 131°F)
	Material	Polycarbonate plastic and die-cast aluminum
	Water rating <sup>1</sup>	IEC 60529 IPX7
	Input voltage	From 10 to 32 Vdc
	Fuse	6 A, 125 V fast-acting
	NMEA 2000 LEN	2
	NMEA 2000 draw	75 mA max.
	Max. waypoints	5,000

Device	Specification	Measurement
	Max. routes	100
	Max. active track points	50,000 points, 50 saved tracks
	Memory card	2 SD <sup>®</sup> card slots; 32 GB max. card size
	Wireless frequency and protocols	Wi-Fi <sup>®</sup> , ANT <sup>®</sup> , and Bluetooth <sup>®</sup> technologies 2.4 GHz @ 17.6 dBm nominal
Seven-inch models	Dimensions (W × H × D)	224 × 142.5 × 53.9 mm (8 13/16 × 5 5/8 × 2 1/8 in.)
	Display size (W × H)	154 × 86 mm (6.1 × 3.4 in.)
	Weight	0.86 kg (1.9 lb.)
	Compass-safe distance	71 cm (28 in.)
	Max. power usage at 10 Vdc	24 W
	Typical current draw at 12 Vdc	1.5 A
	Max. current draw at 12 Vdc	2.0 A
Nine-inch models	Dimensions (W × H × D)	256.4 × 162.3 × 52.5 mm (10 1/8 × 6 3/8 × 2 1/16 in.)
	Display size (W × H)	197 × 114 mm (7.74 × 4.49 in.)
	Weight	1.14 kg (2.5 lb.)
	Compass-safe distance	76 cm (30 in.)
	Max. power usage at 10 Vdc	27 W
	Typical current draw at 12 Vdc	1.3 A
	Max. current draw at 12 Vdc	2.3 A
Sonar models	Frequencies <sup>2</sup>	Traditional: 50/200, 77/200, 83/200 kHz Single Channel CHIRP: from 40 to 240 kHz Garmin ClearVü CHIRP: 260/455/800 kHz (dependent on transducer)
	Transmit power (RMS) <sup>3</sup>	CHIRP: 1000 W Garmin ClearVü and SideVü CHIRP: 500 W
	Depth <sup>4</sup>	5,000 ft. at 1 kW

<sup>1</sup>The device withstands incidental exposure to water of up to 1 m for up to 30 min. For more information, go to [www.garmin.com/waterrating](http://www.garmin.com/waterrating).

<sup>2</sup>Dependent upon the transducer.

<sup>3</sup>Dependent upon the transducer rating and depth.

<sup>4</sup>Dependent upon the transducer, water salinity, bottom type, and other water conditions.

## NMEA 2000 PGN Information

### Transmit and Receive

PGN	Description
059392	ISO acknowledgment
059904	ISO request
060160	ISO transport protocol: Data transfer
060416	ISO transport protocol: Connection management
060928	ISO address claimed
065240	Commanded address
126208	Request group function
126996	Product information
126998	Configuration information
127237	Heading/track control

PGN	Description
127245	Rudder
127250	Vessel heading
127258	Magnetic variance
127488	Engine parameters: Rapid update
127489	Engine parameters: Dynamic
127493	Transmission parameters: Dynamic
127505	Fluid level
127508	Battery status
128259	Speed: Water referenced
128267	Water depth
129025	Position: Rapid update
129026	COG and SOG: Rapid update
129029	GNSS position data
129283	Cross track error
129284	Navigation data
129539	GNSS DOPs
129540	GNSS satellites in view
130060	Label
130306	Wind data
130310	Environmental parameters (obsolete)
130311	Environmental parameters (obsolete)
130312	Temperature (obsolete)

### Transmit

PGN	Description
126464	Transmit and receive PGN list group function
126984	Alert Response
127497	Trip parameters: Engine

### Receive

PGN	Description
065030	Generator average basic AC quantities (GAAC)
126983	Alert
126985	Alert text
126987	Alert threshold
126988	Alert value
126992	System time
127251	Rate of turn
127257	Attitude
127498	Engine parameters: Static
127503	AC input status (obsolete)
127504	AC output status (obsolete)
127506	DC detailed status
127507	Charger status
127509	Inverter status
128000	Nautical leeway angle
128275	Distance log
129038	AIS class A position report
129039	AIS class B position report
129040	AIS class B extended position report
129044	Datum
129285	Navigation: Route, waypoint information
129794	AIS class A static and voyage related data
129798	AIS SAR aircraft position report
129799	Radio frequency/mode/power
129802	AIS safety-related broadcast message
129808	DSC call Information

PGN	Description
129809	AIS class B "CS" static data report, part A
129810	AIS class B "CS" static data report, part B
130313	Humidity
130314	Actual pressure
130316	Temperature: Extended range
130576	Trim tab status
130577	Direction data

## NMEA 0183 Information

### Transmit

Sentence	Description
GPAPB	APB: Heading or track controller (autopilot) sentence "B"
GPBOD	BOD: Bearing (origin to destination)
GPBWC	BWC: Bearing and distance to waypoint
GPGGA	GGA: Global positioning system fix data
GPGLL	GLL: Geographic position (latitude and longitude)
GPGSA	GSA: GNSS DOP and active satellites
GPGSV	GSV: GNSS satellites in view
GPRMB	RMB: Recommended minimum navigation information
GPRMC	RMC: Recommended minimum specific GNSS data
GPRTE	RTE: Routes
GPVTG	VTG: Course over ground and ground speed
GPWPL	WPL: Waypoint location
GPXTE	XTE: Cross track error
PGRME	E: Estimated error
PGRMM	M: Map datum
PGRMZ	Z: Altitude
SDDBT	DBT: Depth below transducer
SDDPT	DPT: Depth
SDMTW	MTW: Water temperature
SDVHW	VHW: Water speed and heading

### Receive

Sentence	Description
DPT	Depth
DBT	Depth below transducer
MTW	Water temperature
VHW	Water speed and heading
WPL	Waypoint location
DSC	Digital selective calling information
DSE	Expanded digital selective calling
HDG	Heading, deviation, and variation
HDM	Heading, magnetic
MWD	Wind direction and speed
MDA	Meteorological composite
MWV	Wind speed and angle
VDM	AIS VHF data-link message

You can purchase complete information about National Marine Electronics Association (NMEA) format and sentences from: NMEA, Seven Riggs Avenue, Severna Park, MD 21146 USA ([www.nmea.org](http://www.nmea.org))

© 2016–2018 Garmin Ltd. or its subsidiaries

Garmin®, the Garmin logo, and GPSMAP® are trademarks of Garmin Ltd. or its subsidiaries, registered in the USA and other countries. These trademarks may not be used without the express permission of Garmin.

NMEA®, NMEA 2000®, and the NMEA 2000 logo are registered trademarks of the National Marine Electronics Association. HDMI® is a registered trademark of HDMI Licensing, LLC.

