



# Aqua Filta™

## Introducing the New Aqua Filta™ carbon water filter

- Permanently fitted filter head with replaceable cartridge saves money and allows simple replacement without even getting your hands wet
- Beneficial mineral salts are retained
- Pre-filter traps sediment and debris
- Ports rotate 180° to allow installation in confined spaces
- Multi-fit ports accept: 1/2" (13mm) I.D. hose; Whale® System 15; JG Speedfit® 15; Hep2O® 15
- Initial flow capacity up to 3.7 gpm (14 lpm)
- Pressure capability up to 60 psi (4.3 bar)
- Compatible with most manual or electric marine water systems



Aqua Filta™ is an activated carbon water filter that removes chlorine, unpleasant smells, tastes and colors from marine water systems and uses specially silver-impregnated carbon to inhibit bacterial growth in the filter bed. Aqua Filta™ absorbs dissolved impurities but retains beneficial mineral salts, thus freshening and cleansing water to make it natural tasting, sweet smelling and crystal clear.

Specifications				
Model	Flow Capability	Pressure Capability	Port Rotation	Weight
59000-1000	3.7 gpm (14 lpm)	60 psi (4.3 bar)	180°	1-1/2 lb (650g)

Jabco

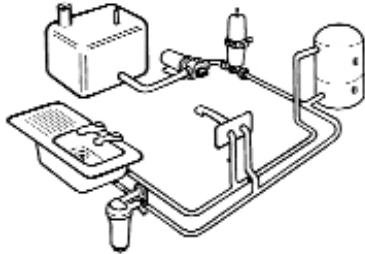




**Jabsco Carbon Water Filters**

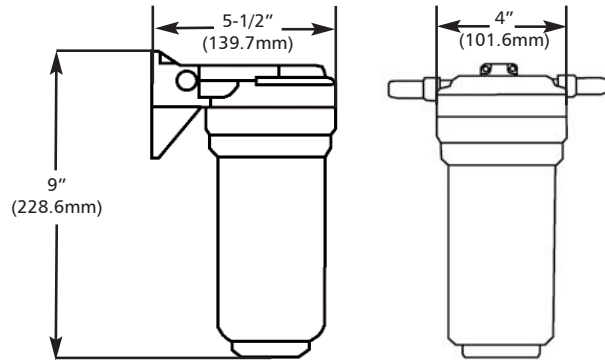
59000-1000.....Aqua Filta™  
 59100-0000.....Replacement Cartridge

**Installation**



Typical Aqua Filta™ Installation

**Dimensional Drawings Inches (mm)**



**INSTALLATION INSTRUCTIONS**

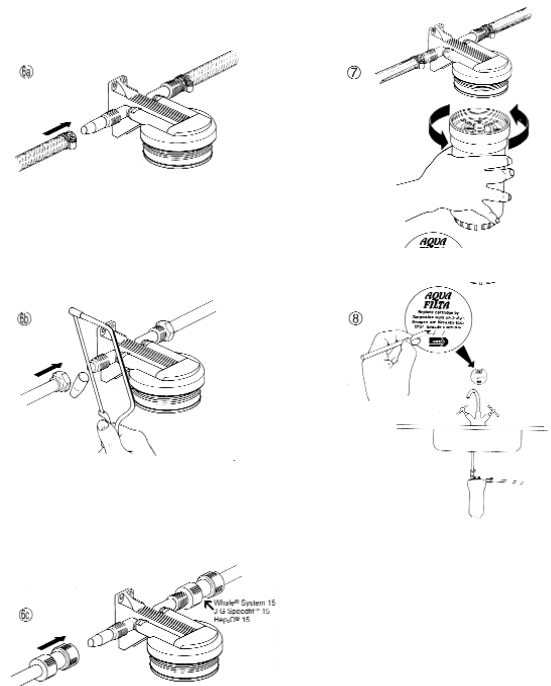
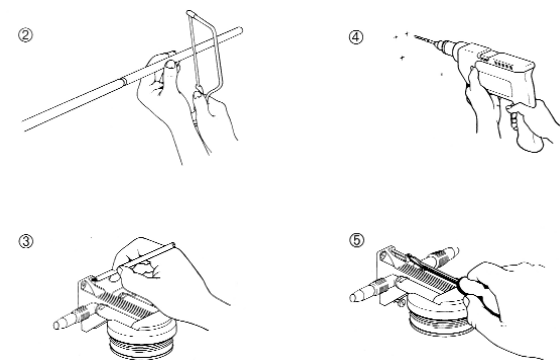
**ALWAYS ENSURE THAT YOUR WATER IS SAFE TO DRINK**  
 If in any doubt about the safety of your water system, cleanse it before installing Aqua Filta.

If in any doubt about the safety of your water when it reaches your tank, sterilise it. Aqua Filta will remove any resulting tastes or odours, including chlorine residues.

**CAUTION: AQUA FILTA IS NOT A WATER PURIFIER**

Install Aqua Filta in the cold water line ONLY. Position between the pump and chosen tap, and as close to the tap as possible. If Aqua Filta is used to serve more than one tap its beneficial effect will be reduced. Fit Aqua Filta in an upright position, leaving sufficient room to remove the filter cartridge from the body (35mm).

① Turn off pump and open taps to relieve pressure in the pipework



Jabsco

www.jabsco.com



**USA**  
 Jabsco  
 1 Kondelin Road  
 Gloucester, MA 01930  
 Tel: 978 281 0440  
 Fax: 978 281 2619

**UK**  
 Jabsco  
 Bingley Road, Hoddesdon  
 Hertfordshire EN11 0BU  
 Tel: +44 (0) 1992 450145  
 Fax: +44 (0) 1992 467132

**CANADA**  
 Fluid Products Canada  
 55 Royal Road  
 Guelph, Ontario N1H 1T1  
 Tel: 519 821 1900  
 Fax: 519 821 2569

**JAPAN**  
 NHK Jabsco Company Ltd.  
 3-21-10, Shin-Yokohama  
 Kohoku-Ku, Yokohama, 222  
 Tel: 045 475 8906  
 Fax: 045 475 8908

**GERMANY**  
 Jabsco GmbH  
 Oststrasse 28  
 22840 Norderstedt  
 Tel: +49-40-53 43 73 -0  
 Fax: +49-40-53 53 73 -11

**ITALY**  
 Jabsco Marine Italia S.r.l.,  
 Via Tomaseo, 6,  
 20059 Vimercate, Milano  
 Tel: +39 039 6852323  
 Fax: +39 039 666307

Warranty: All products of the company are sold and all services of the company are offered subject to the company's warranty and terms and conditions of sale, copies of which will be furnished upon request. The information provided herein is for guidance only, it does not constitute a guarantee of performance or specification of any individual product or component.